

# DWR Series

## wall mount rack

pivoting, sectional wall cabinet is ideal for larger systems in both secured and non-secured areas

### features:

- Available in 17", 22", 26" and 32" overall depths with 15", 20", 24" and 30" of useable depth
- Tool-Free Quick-Mount™ system for easy, one-person mounting of the center section to the backpan on the jobsite
- Center section rear channel accommodates slim power to save space
- Optional minimum-clearance latch allows side-by-side or interior corner mounting
- Reversible padlockable center section is keyed differently from optional front door for security
- 2" knockouts, 4" knockouts for Wiremold 4000® Series raceways, and knockouts for UCP Series universal connector panels on side
- Grounding/bonding stud in top and bottom of center section and backpan facilitates proper grounding and bonding of electronic equipment, as per NEBS and NEC standards
- Finished in a durable black textured powder coat
- UL listed in the US and Canada



see inside for important information regarding useable depths

### specifications:

EIA compliant 19" wall mount rack shall be Middle Atlantic Products model # DWR-\_\_\_-\_\_\_ (refer to chart). Overall dimensions shall be 23.4" W x \_\_\_" H x \_\_\_" D (refer to chart). Weight capacity shall be \_\_\_ lbs. Tool-Free Quick-Mount™ system enables one-person installation. Useable depth shall be \_\_\_" (refer to chart) and shall extend into the back pan 3.5". Center section and back pan shall be steel, phosphate pre-treated and finished in a black textured powder coat. Adjustable rackrail shall be constructed of 11-gauge steel with tapped 10-32 mounting holes in universal EIA spacing with black e-coat finish and marked rack spaces. Rack shall be constructed to swing open for component cabling access, center section shall pivot for either left or right opening. Rack shall have a rear knockout panel with 1/2", 3/4", 1", 1-1/2", 2" and 3" electrical knockouts installed in base, and a rear knockout panel with 1/2", 3/4", 1", 1-1/2", 2" and 3" electrical knockouts, and BNC knockouts for UHF/VHF antennas installed in top. Large laser knockout on back pan shall have a 12-1/2" x 12-1/2" cutout for electrical pull-box. Fan knockouts on top and bottom shall allow for installation of up to four 4-1/2" fans. Rack shall have 2" knockouts, 4" knockouts for Wiremold 4000® Series raceways, and knockouts for UCP Series universal connector panels on the side. Top, bottom and sides shall feature vertical vent pattern. DWR Series enclosures shall satisfy the 2013 CBC; 2012 IBC & ASCE 7-10 (2010 Edition) for use in areas of high seismicity, using an assumed Site Class D soil condition with lateral force requirements for protecting 155 lbs. of essential equipment in locations with the highest level of seismicity and top floor or rooftop installations with an Importance factor (Ip) of 1.5 when used with DWRSR-ZL Latch. DWR Series shall be OSHPD approved for fixed equipment anchorage in California healthcare facilities. Rack shall be UL Listed in the US and Canada to the UL-2416 (NWIN) Category when used with optional bonding kit, model # PET-K-\_\_\_. DWR Series shall meet all enclosure requirements towards PCI DSS (Payment Card Industry Data Security Standard) Compliance. Rack shall be GREENGUARD Gold Certified. Rack shall comply with the requirements RoHS EU Directive 2011/65/EU. Rack shall be manufactured by an ISO 9001 and ISO 14001 registered company. Rack shall be warranted to be free from defects in materials or workmanship under normal use and conditions for the lifetime of the rack.

Customizable specification clips available at [middleatlantic.com](http://middleatlantic.com)



PRODUCT CERTIFIED FOR  
LOW CHEMICAL EMISSIONS  
UL.COM/GG  
UL 2818



EIA/TIA COMPLIANT

US PATENT# 7, 278, 183

SEISMIC CERTIFIED

### options:

- Front doors shall be reinforced steel, model # FD-XX (solid), VFD-XX (vented, 25% open area), LVFD-XX (vented, 64% open area), PFD-XX (plexi), (XX= # of rackspaces of DWR rack)
- Keyless Latch replaces keylock, fits front & rear doors, shall be models # LATCH
- Rear rail kit 11-gauge, 10-32 threaded, sold in pairs, hardware included, shall be model # DWR-RRXX
- Fan kits with two 4-1/2" exhaust fans, fan guards and vent blockers shall be model # DWR-FK17 (fits DWR-xx-17), DWR-FK22 (fits DWR-xx-22), Fan kits with two 6" exhaust fans, fan guards and vent blockers shall be DWR-FK6-26 (fits DWR-xx-26), DWR-FK6-32 (fits DWR-xx-32)
- Vent Blockers used to promote active thermal management, shall be model # VBK-D17 (fits DWR-XX-17), VBK-SD22 (fits DWR-XX-22), VBK-E20 (fits DWR-XX-26)
- Optional cover plate / shelf kit shall be model # DWR-CVR
- Minimum-clearance latch shall allow side-by-side or corner mounting, shall be model # DWRSR-ZL
- Optional bonding kit for UL-2416 (NWIN) compliance shall be Middle Atlantic Products PET-K-D/EWR (for backpan to center section), PET-K-D/EWRD (for backpan to center section to front door), PET-K-FD (for front door to center section), PET-K-DWRFK (for fan kit to center section)

what great systems are built on.™

A brand of **Legrand**

**Middle Atlantic Products**

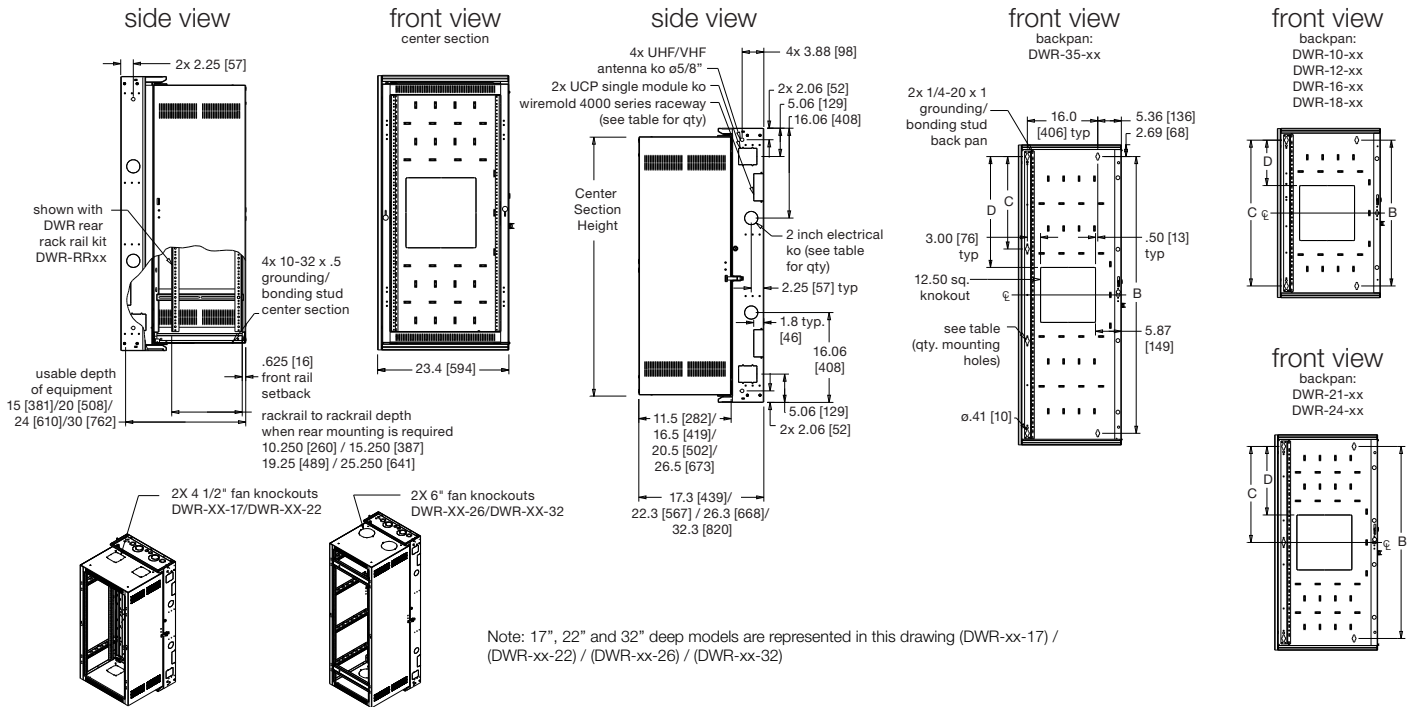
[middleatlantic.com](http://middleatlantic.com) | [middleatlantic.ca](http://middleatlantic.ca)

96-045 / rev t / 2-16-17

# DWR Series

## basic dimensions

all dimensions in inches unless otherwise noted [all dimensions in brackets are in millimeters]



Part #	Overall Height	Center Section Height	Racking Height	Useable Depth	Rackspaces	Weight Capacity	2" EKO Backpan Qty.	Wiremold 4000 Series Qty.	A Wiremold 4000 Series Spacing	B Mounting Hole Spacing	C Mounting Hole Spacing Hinge Side	D Knockout Top to Mounting Hole Spacing	Qty. of Mounting Holes
DWR-10-17	24.50 [622]	21.63 [549]	17.50 [445]	15	10 spaces	200 lbs.	-	1	12.25 [311]	19.13 [486]	19.13 [486]	3.31 [84]	4
DWR-10-22	24.50 [622]	21.63 [549]	17.50 [445]	20	10 spaces	200 lbs.	-	1	12.25 [311]	19.13 [486]	19.13 [486]	3.31 [84]	4
DWR-12-17	28.00 [711]	25.13 [638]	21.00 [533]	15	12 spaces	200 lbs.	-	1	14.00 [356]	22.63 [575]	22.63 [575]	5.06 [129]	4
DWR-12-22	28.00 [711]	25.13 [638]	21.00 [533]	20	12 spaces	200 lbs.	-	1	14.00 [356]	22.63 [575]	22.63 [575]	5.06 [129]	4
DWR-12-26	28.00 [711]	25.13 [638]	21.00 [533]	24	12 spaces	200 lbs.	-	1	14.00 [356]	22.63 [575]	22.63 [575]	5.06 [129]	4
DWR-12-32	28.00 [711]	25.13 [638]	21.00 [533]	30	12 spaces	200 lbs.	-	1	14.00 [356]	22.63 [575]	22.63 [575]	5.06 [129]	4
DWR-16-17	35.00 [889]	32.13 [816]	28.00 [711]	15	16 spaces	200 lbs.	-	1	17.50 [445]	29.63 [752]	29.63 [752]	8.56 [217]	4
DWR-16-22	35.00 [889]	32.13 [816]	28.00 [711]	20	16 spaces	200 lbs.	-	1	17.50 [445]	29.63 [752]	29.63 [752]	8.56 [217]	4
DWR-18-17	38.50 [978]	35.63 [905]	31.50 [800]	15	18 spaces	250 lbs.	-	1	19.25 [489]	33.13 [841]	33.13 [841]	10.31 [262]	4
DWR-18-22	38.50 [978]	35.63 [905]	31.50 [800]	20	18 spaces	250 lbs.	-	1	19.25 [489]	33.13 [841]	33.13 [841]	10.31 [262]	4
DWR-18-26	38.50 [978]	35.63 [905]	31.50 [800]	24	18 spaces	250 lbs.	-	1	19.25 [489]	33.13 [841]	33.13 [841]	10.31 [262]	4
DWR-18-32	38.50 [978]	35.63 [905]	31.50 [800]	30	18 spaces	250 lbs.	-	1	19.25 [489]	33.13 [841]	33.13 [841]	10.31 [262]	4
DWR-21-17	43.75 [1111]	40.88 [1038]	36.75 [933]	15	21 spaces	250 lbs.	4	2	10.56 [268]	38.33 [975]	19.19 [487]	12.94 [329]	4
DWR-21-22	43.75 [1111]	40.88 [1038]	36.75 [933]	20	21 spaces	250 lbs.	4	2	10.56 [268]	38.33 [975]	19.19 [487]	12.94 [329]	4
DWR-24-17	49.00 [1245]	46.13 [1172]	42.00 [1067]	15	24 spaces	300 lbs.	4	2	10.56 [268]	43.63 [1108]	21.81 [554]	15.56 [395]	5
DWR-24-22	49.00 [1245]	46.13 [1172]	42.00 [1067]	20	24 spaces	300 lbs.	4	2	10.56 [268]	43.63 [1108]	21.81 [554]	15.56 [395]	5
DWR-24-26	49.00 [1245]	46.13 [1172]	42.00 [1067]	24	24 spaces	300 lbs.	4	2	10.56 [268]	43.63 [1108]	21.81 [554]	15.56 [395]	5
DWR-24-32	49.00 [1245]	46.13 [1172]	42.00 [1067]	30	24 spaces	300 lbs.	4	2	10.56 [268]	43.63 [1108]	21.81 [554]	15.56 [395]	5
DWR-35-17	68.25 [1734]	65.38 [1661]	61.25 [1558]	15	35 spaces	300 lbs.	4	2	10.56 [268]	62.83 [1597]	21.00 [533]	25.19 [640]	6
DWR-35-22	68.25 [1734]	65.38 [1661]	61.25 [1558]	20	35 spaces	300 lbs.	4	2	10.56 [268]	62.83 [1597]	21.00 [533]	25.19 [640]	6
DWR-35-26	68.25 [1734]	65.38 [1661]	61.25 [1558]	24	35 spaces	300 lbs.	4	2	10.56 [268]	62.83 [1597]	21.00 [533]	25.19 [640]	6

what great systems are built on.™

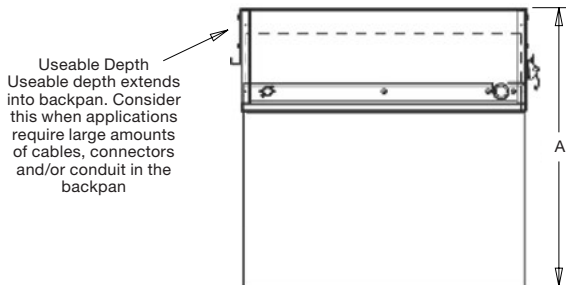
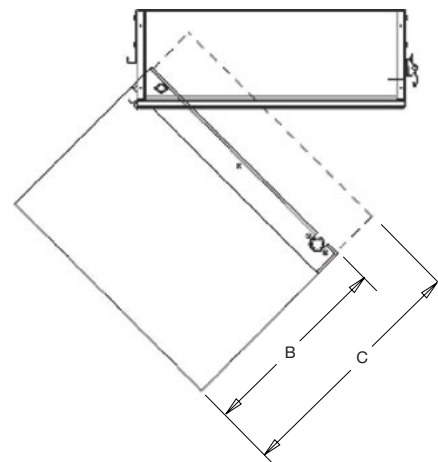
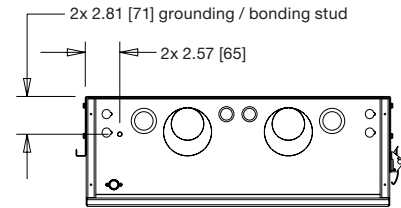
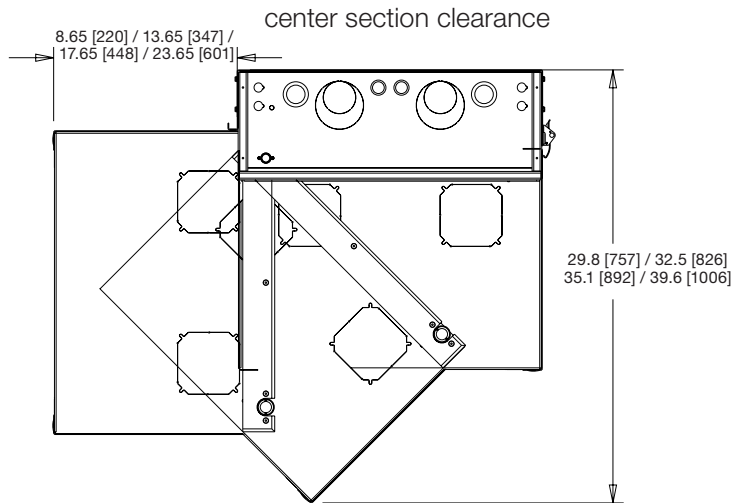
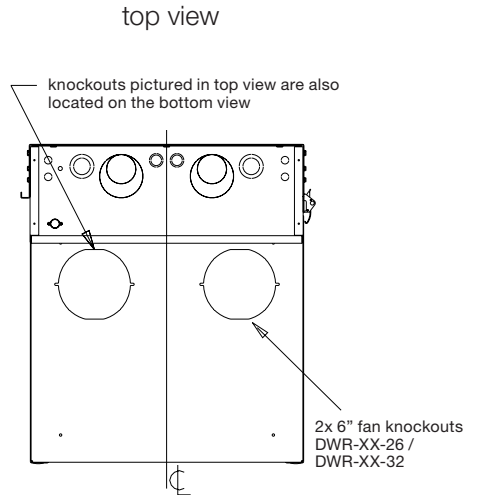
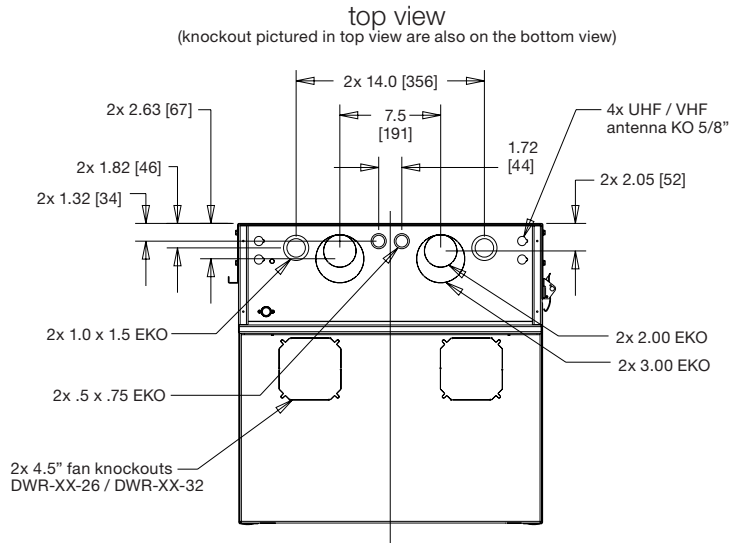
A brand of **Legrand**

**Middle Atlantic Products**  
 middleatlantic.com | middleatlantic.ca

# DWR Series

## basic dimensions

all dimensions in inches unless otherwise noted [all dimensions in brackets are in millimeters]



Part #	A Overall Depth	B Center Section Depth	C Useable Depth
DWR-xx-17	17.3 [439]	11.5 [292]	15.0 [381]
DWR-xx-22	22.3 [567]	16.5 [419]	20.0 [508]
DWR-xx-26	26.3 [668]	20.5 [521]	24.0 [610]
DWR-xx-32	32.3 [820]	26.5 [673]	30.0 [762]

what great systems are built on.™

A brand of **legrand**

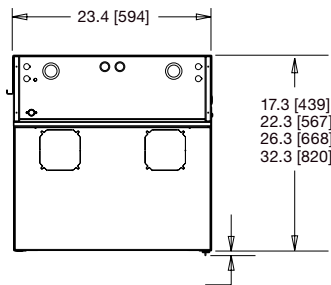
**Middle Atlantic Products**  
middleatlantic.com | middleatlantic.ca

# DWR Series

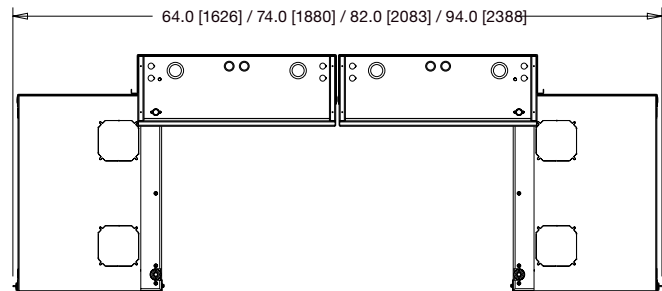
with minimum-clearance latch installed basic dimensions

all dimensions in inches unless otherwise noted [all dimensions in brackets are in millimeters]

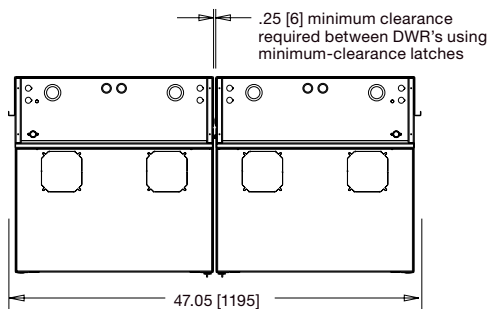
top view



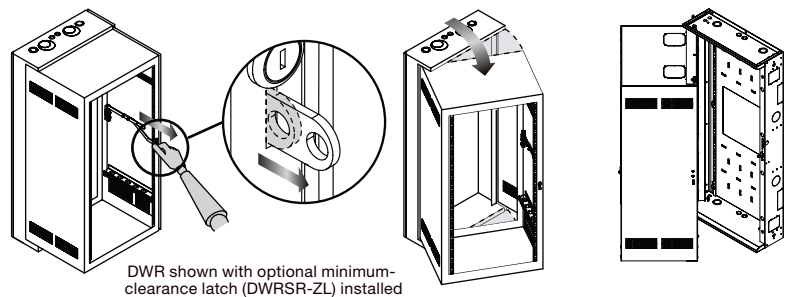
top view  
(2 DWR's fully opened)



top view  
(2 DWR's closed position)



optional DWRSR-ZL  
minimum-clearance latch operation:



Center Section Trim Power		
Part #	PD-815 Series (Qty)	PD-2415 Series (Qty)
DWR-10-xx	1	N/A
DWR-12-xx	1	N/A
DWR-16-xx	1	N/A
DWR-18-xx	1	N/A
DWR-21-xx	1 or 2	N/A
DWR-24-xx	1 or 2	N/A
DWR-35-xx	1 or 2	1

what **great systems** are built on.™

A brand of **legrand**

**Middle Atlantic Products**  
middleatlantic.com | middleatlantic.ca