



# SCHILL

connecting professionals



**Catalog Audio/Video**  
2022 / 4

Follow us on



@schillkabeltrommeln



schilltrommeln



Schill Kabeltrommeln



schill\_gmbh



@schill\_gmbh

## The right cable drum for professionals.

Any work involving cables, lines or hoses requires cable drums. Whether it is at home, in trade, in industry, at TV or radio stations or at events, Schill offers, impressive, high-performance products for every application.

Schill GmbH & Co. KG is based in Baden-Württemberg and has been producing cable drums and reels in the family tradition since 1948. The forward-looking medium-sized enterprise produces both individual solutions and standard systems: stable plastic cable boxes for domestic use, robust cable drums made from special rubber or sheet steel for construction as well as motorised built-in cable drums for outside broadcast vans; Schill's product range meets every need – right up to pivoting spring-loaded or hose reels.

Schill provides innovative systems for customers and partners from the fields of audio/video, broadcast, trade and industry. Improvement, development and regular inspections of the cable drums and reels keep quality at a consistently high level while always ensuring compliance with current international standards such as DIN EN ISO 9001:2015.

Furthermore, many Schill cable drums meet the requirements of the German Social Accident Insurance DGUV; DGUV Info 203-006 (BGI 608) and DGUV Info 203-005 (BGI 600 Category K2).

The headquarters and administration of Schill GmbH & Co. KG are situated in Fellbach near Stuttgart. Since 1968, the production facilities have been in Laichingen on the Swabian Jura. Today, the company is run by the third generation by Ingo Schill and has more than 60 employees who boast many years of experience and competence.

Over the years, Schill has become established as a major name on the international global market.



**Administration**

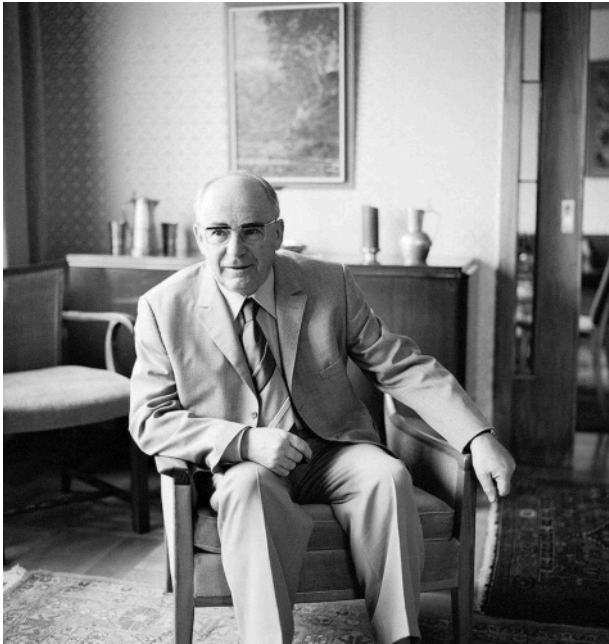
Schill GmbH & Co. KG  
Bruckstraße 44  
**D-70734 Fellbach, Germany**  
Phone: +49 (0)711 578807-0  
Fax: +49 (0)711 578807-44



**Production**

Schill GmbH & Co. KG  
Hirschstraße 81  
**D-89150 Laichingen, Germany**  
Phone: +49 (0)7333 9648-0  
Fax: +49 (0)7333 9648-44

# The company with tradition



The company founder: Otto Schill

As a company with a strong tradition which has been characterised by quality and solid craftsmanship for over half a century, Schill produces innovative products with meticulous care and state-of-the-art production technology. For over 70 years, the company's mission has been to provide the best for its customers, every time. Innovations in applicability and technology set new standards again and again and ensure that the products are constantly being redeveloped and improved. In this way, a revolutionary idea from company founder Otto Schill, combined with vision, love and passion, paved the way or a truly indispensable product.

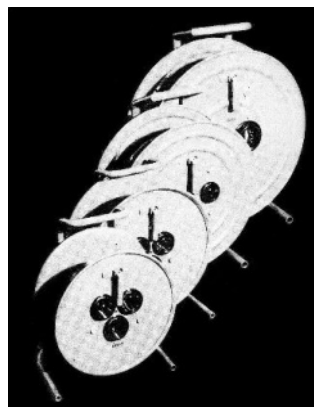
**1940**

By manufacturing accessories for broadcasting such as special cable drums, director's stands and microphone tripods, the engineer Otto Schill writes the first chapter of this traditional company's impressive success story.



**1950**

he company expands and grows continuously thanks to extremely innovative inventions such as the portable cable drum made from sheet steel.



**1960**

A cable box with ten metres of cable and two sockets facilitates the increasing use of electrical devices in the home. In 1967, the company presents the first spring-loaded drum.



**1970**

Otto Schill invents the first fully insulated plastic cable drum. The new light box joins the cable box range. Schill trained the first tool maker at their site Laichingen in the year 1970.



# The company with tradition

## Third generation

The brothers Ingo and Gerrit Schill jointly managed the fortunes of the Schill company for almost two decades.

At the end of 2018, Gerrit Schill ended his position as managing director. Ingo Schill takes over the sole management in 2019.

Today, the company has more than 60 employees and has long been established as a major name on the international global market.



Managing director Ingo Schill

1980

The company launches the largest plastic cable drum produced to date on the market. Thanks to its large core diameter, it can be fitted with all kinds of socket combinations, residual current devices and automatic fuses.



1990

Following the death of senior partner Otto Schill, his son continues his life's work by taking on the management of the family company. Immo Schill decides to introduce a quality management system.



2000

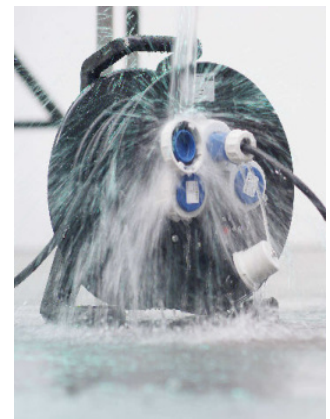
Immo Schill's sons Ingo and Gerrit join Schill GmbH & Co. KG as further managing directors and are soon made partners. The company's client base expands continuously in the fields of broadcasting, TV and video and overseas exports increase. In 2008 Schill becomes a training company for commercial professions at their office in Fellbach.



2010

At the end of 2010, Immo Schill retires from the company management. In 2017 Schill launches the first completely waterproof cable reel GT 310.WS3-IP67.

One year later, various FT reels with LAN cable are introduced. At the end of 2018 Gerrit Schill ends his activity as managing director and Ingo Schill takes over the sole management.



## Structure of the article description:

Example: Trade

**GT 310.MD4L.40PU315**



**1 2 3 4 5 6 7 8**

**1 Drum type**

Special rubber cable drum

**2 Approx. drum diameter in mm**

310

**3 Socket description**

4 machine sockets 2-pole+E, 16A, 230V

**4 Other description**

Signal lamp

**5 Cable length in m**

40

**6 Cable type**

H07BQ-F

**7 Number of cores**

3-core

**8 Cable cross section in mm**

1,5

Example: Industry

**FT 260.0308.S316**



**1 2 3 4 5**

**1 Drum type**

Cable reel with spring balancer

**2 Approx. housing diameter in mm**

260

**3 Numbers of slip ring poles**

3-pole slip ring

**4 Cable length in m**

8

**5 Plug connection**

3-pole 16A plug connection

Example: Audio / Video

**GT 310.S0**



**1 2 3**

**1 Drum type**

Special rubber cable drum

**2 Approx. drum diameter in mm**

310

**3 Fitting**

Without sockets / with blank cover for self-tooling

Example: Broadcast

**PL 450.250.300**



**1 2 3 4**

**1 Drum type**

Camera cable drum

**2 Approx. disc diameter in mm**

450

**3 Approx. drum diameter in mm**

250

**4 Core width in mm**

300

## Description

### Cable descriptions

KK	H05VV-F / Plastic cable / suitable for indoor use
KG	H05RR-F / Rubber cable / suitable for indoor use
KS	H07RN-F / Heavy rubber hose line / suitable for outdoor use
PU	H07BQ-F / PUR-Line H07BQ-F (standard cable colour yellow, orange possible; cable printing possible / suitable for outdoor use)

## Drum type

<b>ALD</b>	Cable winch drum made of polycarbonate	Practical Line
<b>ALM</b>	Motorized cable drum made of polycarbonate	Practical Line
<b>BA</b>	Spring balancer for weight compensation	Dispensor Line
<b>EFT</b>	Installation cable reel with spring balancer made of plastic	Flex Line
<b>EST</b>	Installation hose reel with spring balancer made of plastic	Air Flex Line
<b>FT</b>	Cable reel with spring balancer made of plastic or sheet steel	Flex Line
<b>FTE</b>	Cable/Spring balancer reel for grounding purposes made of plastic	Flex Line
<b>GT</b>	Special rubber cable drum	Professional Line
<b>HT</b>	Sheet steel cable drum	Classic Line
<b>IT</b>	Plastic cable drum	Base Line
<b>IPL</b>	Motorized drum system made of polycarbonate	Individual Line
<b>KB</b>	Cable box made of plastic	Home Line
<b>MPL</b>	Motorized drum system made of polycarbonate	Camera Line
<b>PL</b>	Camera cable drum made of polycarbonate or aluminium	Camera Line
<b>PLG</b>	Cable winch drum made of polycarbonate	Camera Line
<b>SK</b>	Stage cable drum made of sheet steel	Stage Line
<b>SL</b>	Stage cable drum made of polycarbonate	Stage Line
<b>ST</b>	Hose reel with spring balancer made of plastic or sheet steel	Air Flex Line
<b>VL</b>	Extension cable	Extension Line

## Socket description

<b>B</b>	Belgian / French Version
<b>BS</b>	Sockets British Standard
<b>C316</b>	CEE 3x16A / 2-pole+E, 16A, 230V
<b>C516</b>	CEE 5x16A / 4-pole+E, 16A, 400V
<b>C532</b>	CEE 5x32A / 4-pole+E, 32A, 400V
<b>CW</b>	CEE-sockets pressurised water resistant
<b>MD</b>	Machine socket with hinged cover / 2-pole+E, 16A, 230V
<b>MD4L</b>	Machine socket with hinged cover and signal lamp (L) / 2-pole+E, 16A, 230V
<b>MD4K</b>	Machine socket with child-proof lock (K) / 2-pole+E, 16A, 230V
<b>S</b>	Open earthed socket / 2-pole+E, 16A, 230V / indoor use only
<b>TS</b>	Open earthed socket with drip water cover / 2-pole+E, 16A, 230V
<b>WS</b>	Socket pressurised water resistant / 2-pole+E, 16A, 230V
<b>Z-plug connection</b>	Cable reels plug connections

## Description unloaded drums

<b>Open</b>	Without sockets / without KOMB-cover
<b>S0</b>	Without sockets / with blind cover for self-tooling / partly with closed front panel
<b>RM</b>	Without sockets / with auxiliary spool
<b>MFK</b>	Without sockets / with latching door
<b>RMFK</b>	Without sockets / with latching door and auxiliary spool
<b>MS</b>	Without sockets / with slip ring

## Other description

<b>AD KOMB</b>	Socket insert without sockets
<b>FI</b>	With residual current device
<b>FST</b>	Travelling column unit
<b>KOMB</b>	Combination cover with sockets
<b>LED</b>	With integrated LED
<b>PRCD-S</b>	With personal protection when drawing current from on-site sockets
<b>Travel Unit</b>	Transport travel unit
<b>TW</b>	Transport trolley for SK's

## Long-time spare parts service

You need a spare part? At Schill you can obtain almost all components of the products as spare parts. The sales team is looking forward to your inquiry at [sales@schill.de](mailto:sales@schill.de).

## Special construction

Your cable drum is not listed? For special construction please contact the sales department via email at [sales@schill.de](mailto:sales@schill.de).

## Special colours

All cable drums are available in other colours at an additional charge. Please contact the sales department for more information at [sales@schill.de](mailto:sales@schill.de).

**Note :** All technical information, descriptions and illustrations contained in this catalog may be subject to modifications or errors.

<b><i>Cable capacity: in meter</i></b>	<b>9</b>
<b><i>Type: Open</i></b>	<b>11</b>
<b><i>Type: S0 - with closed front panel</i></b>	<b>22</b>
<b><i>Type: S0 - with blank cover</i></b>	<b>30</b>
<b><i>Type: RM - with auxiliary spool</i></b>	<b>46</b>
<b><i>Type: MFK - with latching door</i></b>	<b>63</b>
<b><i>Type: RMFK - with latching door and auxiliary spool</i></b>	<b>73</b>
<b><i>Type: MS - with data slip ring</i></b>	<b>75</b>
<b><i>Accessories</i></b>	<b>88</b>
<b><i>Drum dimensions</i></b>	<b>93</b>



Model	Ø 2 mm	Ø 4 mm	Ø 6 mm	Ø 8 mm	Ø 10 mm	Ø 12 mm	Ø 14 mm	Ø 16 mm	Ø 18 mm	Ø 20 mm
KB 170	212	53	22	11	6	5	2			
KB 210	266	63	26	13	7	5	2			
KB 220	384	92	38	21	14	9	6	4	3	
KB 225	518	129	56	30	20	12	8	6	5	
GT 235	717	169	75	40	28	18	10	9	6	5
IT 240	841	210	83	46	31	20	12	10	6	4
IT 280	1028	244	108	54	39	27	16	10	10	13
HT 260	1072	259	111	58	40	27	17	11	10	10
IT 266	1158	284	126	68	45	31	20	14	14	9
SK 310	1323	321	133	75	51	30	27	18	12	10
GT 310	1323	321	133	75	51	30	27	18	12	12
HT 300K	1417	354	155	80	56	37	27	16	14	14
IT 300K	1464	354	155	80	56	37	27	16	14	15
HT 300	1555	379	159	91	58	36	24	21	14	14
IT 300	1617	404	173	93	59	43	29	21	14	14
HT 305	2126	526	236	122	85	57	40	26	22	21
HT 381	2566	623	268	146	97	61	52	34	23	20
HT 380	2740	685	288	159	109	68	54	37	27	27
SK 380	2749	667	288	153	109	65	52	26	23	20
GT 380	2749	667	288	153	109	65	52	38	33	23
IT 380	2827	693	309	161	110	69	55	38	27	27
SK 4821	3228	783	338	184	122	76	65	43	29	26
SK 450	3399	826	363	206	124	87	62	45	37	25
GT 450	3399	826	363	206	124	87	62	45	37	25
HT 482	3407	827	356	194	129	81	70	46	31	28
HT 385	4110	1017	438	244	164	106	82	61	43	39
HT 480	4110	1102	476	260	176	108	90	57	44	44
SK 302	4252	1063	472	245	170	118	81	52	46	42
HT 481	4532	1112	494	267	172	123	82	58	52	39
SK 4600	5742	1424	599	356	208	146	106	78	54	50
SK 4700	5742	1424	599	356	208	146	106	78	54	50
SK 4730	5742	1424	599	356	208	146	106	78	54	50
HT 485	6615	1638	724	397	264	168	135	93	69	63
HT 582	6928	1705	746	426	263	177	137	101	79	60

Model	Ø 2 mm	Ø 4 mm	Ø 6 mm	Ø 8 mm	Ø 10 mm	Ø 12 mm	Ø 14 mm	Ø 16 mm	Ø 18 mm	Ø 20 mm
SK 4601	8038	1998	847	493	292	211	156	109	79	70
SL 500 light	8421	2070	913	509	331	223	152	118	89	82
SK 4812	9064	2224	988	535	356	247	164	123	105	78
SK 4822	9064	2224	988	535	356	247	164	123	105	78
SL 500	9393	2293	1019	573	369	254	169	133	101	74
SK 4731	9646	2411	1023	597	350	255	187	135	96	87
SK 4823	9722	2351	1014	553	384	230	197	136	92	82
SK 4701	10335	2572	1096	643	375	270	200	146	104	91
SK 4602	11484	2871	1213	712	417	299	219	161	112	104
SK 460	11823	2898	1302	689	463	306	225	169	126	115
SK 4813	13596	3337	1483	803	539	370	247	182	164	122
SK 580	18115	4437	2012	1073	690	472	368	250	223	168

Other cable lengths at [www.schill.de/en](http://www.schill.de/en)



Type:  
Material:

Open  
Plastic

## IT 300K.OPEN



- open design for self-tooling
- spool and core made of plastic
- **powder-coated steel carrying handle**
- locking brake screw
- without cable
- **drum-ø 300 mm**

Order No.	Item	Version	Weight (kg)
260 00 000 000	IT 300K.OPEN	open	2.22

## IT 380.OPEN



- open design for self-tooling
- spool and core made of plastic
- **powder-coated steel carrying handle**
- locking brake screw
- without cable
- **drum-ø 380 mm**

Order No.	Item	Version	Weight (kg)
290 00 000 000	IT 380.OPEN	open	3.45

Type:  
Material:

Open  
Special rubber

## GT 235.OPEN



- open design for self-tooling
- locking brake screw
- without cable
- **drum-ø 235 mm**

Order No.	Item	Version	Weight (kg)
200 00 000 000	GT 235.OPEN	open	0.95

## GT 310.OPEN



- open design for self-tooling
- locking brake screw
- without cable
- **drum-ø 310 mm**

Order No.	Item	Version	Weight (kg)
270 00 000 000	GT 310.OPEN	open	1.61
270 00 000 430	GT 310.OPEN-CORE HOLE 43	open	1,6

Type:  
Material:

Open  
Special rubber

## GT 380.OPEN



- open design for self-tooling
- locking brake screw
- without cable
- travelling unit available as accessory
- **drum-ø 380 mm**

Order No.	Item	Version		Weight (kg)
275 00 000 000	GT 380.OPEN	open		3,90
275 00 000 550	GT 380.OPEN-CORE HOLE 50	open	with leather strap, core opening ø 50 mm	3,90

## GT 450.OPEN



- open design for self-tooling
- locking brake screw
- without cable
- travelling unit available as accessory
- **drum-ø 450 mm**

Order No.	Item	Version		Weight (kg)
280 00 000 000	GT 450.OPEN	open		5,14
280 00 000 660	GT 450.OPEN-CORE HOLE 60	open	core opening ø 60 mm	5,14

Type:  
Material:

Open  
Sheet steel

## HT 300K.OPEN



- open design for self-tooling
- powder-coated sheet steel discs
- powder-coated steel carrying handle
- **core made of plastic**
- locking brake screw
- without cable
- **core width 141 mm**

Order No.	Item	Version	Weight (kg)
332 00 000 000	HT 300K.OPEN	open	2.95

## HT 305.OPEN



- open design for self-tooling
- powder-coated sheet steel discs
- powder-coated steel carrying handle
- **core made of plastic**
- locking brake screw
- without cable
- **core width 209 mm**

Order No.	Item	Version	Weight (kg)
338 00 000 000	HT 305.OPEN	open	3.99

Type:  
Material:

Open  
Sheet steel

## HT 380.OPEN



- open design for self-tooling
- powder-coated sheet steel discs
- powder-coated steel carrying handle
- **core made of plastic**
- locking brake screw
- without cable
- travelling column unit available as accessory
- **core-ø 178 mm**

Order No.	Item	Version	Weight (kg)
363 00 000 000	HT 380.OPEN	open	5.14

## HT 381.OPEN



- open design for self-tooling
- powder-coated sheet steel discs
- powder-coated steel carrying handle
- **core made of plastic**
- locking brake screw
- without cable
- travelling column unit available as accessory
- **core-ø 240 mm**

Order No.	Item	Version	Weight (kg)
364 00 000 000	HT 381.OPEN	open	5.63

Type:  
Material:

Open  
Sheet steel

## HT 385.OPEN



- open design for self-tooling
- powder-coated sheet steel discs
- powder-coated steel carrying handle
- **core made of plastic**
- locking brake screw
- without cable
- travelling column unit available as accessory
- **core width 210 mm**

Order No.	Item	Version		Weight (kg)
368 00 000 000	HT 385.OPEN	open		5.50
368 00 000 500	HT 385.OPEN-BLACK-CORE 60x60	open	core opening 60x60 mm	5.40

## HT 480.OPEN



- open design for self-tooling
- powder-coated sheet steel discs
- powder-coated steel carrying handle
- **core made of plastic**
- locking brake screw
- without cable
- travelling column unit available as accessory
- **core width 141 mm**

Order No.	Item	Version		Weight (kg)
376 00 000 000	HT 480.OPEN	open		7.16



Type:  
Material:

Open  
Sheet steel

## HT 481.OPEN



- open design for self-tooling
- powder-coated sheet steel discs
- powder-coated steel carrying handle
- **core made of plastic**
- locking brake screw
- without cable
- travelling column unit available as accessory
- **core- $\varnothing$  240 mm**

Order No.	Item	Version	Weight (kg)
374 00 000 000	HT 481.OPEN	open	7.72

## HT 482.OPEN



- open design for self-tooling
- powder-coated sheet steel discs
- powder-coated steel carrying handle
- **core made of plastic**
- locking brake screw
- without cable
- travelling column unit available as accessory
- **core- $\varnothing$  320 mm**

Order No.	Item	Version	Weight (kg)
375 00 000 000	HT 482.OPEN	open	8.12

Type:  
Material:

Open  
Sheet steel

## HT 485.OPEN



- open design for self-tooling
- powder-coated sheet steel discs
- powder-coated steel carrying handle
- **core made of plastic**
- locking brake screw
- without cable
- travelling column unit available as accessory
- **drum-ø 460 mm**

Order No.	Item	Version		Weight (kg)
376 00 001 000	HT 485.OPEN	open		7.47
376 00 000 500	HT 485.OPEN-BLACK-CORE 60x60	open	core opening 60x60 mm	7.19

## HT 582.OPEN



- open design for self-tooling
- powder-coated sheet steel discs
- powder-coated steel carrying handle
- **core made of plastic**
- locking brake screw
- without cable
- travelling column unit available as accessory
- **drum-ø 580 mm**

Order No.	Item	Version		Weight (kg)
380 00 000 000	HT 582.OPEN	open		14.32

Type:  
Material:

Open  
Special rubber

## SK 310.OPEN



- professional stage cable drum
- open design for self-tooling
- spool made of special rubber
- **powder-coated steel frame**
- locking brake screw
- without cable
- stackable with SK 310
- transport trolley available as accessory
- **drum-ø 310 mm**

Order No.	Item	Version	Weight (kg)
402 00 000 000	SK 310.OPEN	open	4.41

## SK 380.OPEN



- professional stage cable drum
- open design for self-tooling
- spool made of special rubber
- **powder-coated steel frame**
- locking brake screw
- without cable
- stackable with SK 380
- transport trolley available as accessory
- **drum-ø 380 mm**

Order No.	Item	Version	Weight (kg)
403 00 000 000	SK 380.OPEN	open	5.93

Type:  
Material:

Open  
Special rubber

## SK 450.OPEN



- professional stage cable drum
- open design for self-tooling
- spool made of special rubber
- **powder-coated steel frame**
- locking brake screw
- without cable
- stackable with SK 450
- transport trolley available as accessory
- **drum-ø 450 mm**

Order No.	Item	Version	Weight (kg)
404 00 000 000	SK 450.OPEN	open	7.24

Type:  
Material:

Open  
Sheet steel

## SK 302.OPEN



- professional stage cable drum for longer cable lengths
- open design for self-tooling
- powder-coated sheet steel discs
- powder-coated steel frame
- **core made of plastic**
- locking brake screw
- without cable
- stackable with SK 302
- **drum-ø 300 mm**

Order No.	Item	Version	Weight (kg)
405 00 000 000	SK 302.OPEN	open	10.00

## FSK 485.OPEN



- professional stage cable drum for longer cable lengths
- open version for self-tooling
- powder-coated sheet steel discs
- powder-coated steel frame
- **core made of plastic**
- locking brake screw
- without cable
- stackable with FSK 485
- mobile with 2 wheels

Order No.	Item	Version	Weight (kg)
407 00 000 000	FSK 485.OPEN	open	7.24

Type:  
Material:

S0 - with closed front panel  
Plastic

## IT 240.S0



- closed front panel
- discs made of plastic
- small core made of plastic
- **powder-coated steel carrying handle**
- locking brake screw
- without cable
- **drum-ø 240 mm**

Order No.	Item	Version	Weight (kg)
210 01 000 000	IT 240.S0	with closed front panel	1.61

## IT 300.S0



- closed front panel
- locking brake screw
- small core
- without cable
- **drum-ø 300 mm**

Order No.	Item	Version	Weight (kg)
250 01 000 000	IT 300.S0	with closed front panel	1.70

Type:  
Material:

S0 - with closed front panel  
Sheet steel

## HT 260.S0



- closed front panel
- powder-coated sheet steel discs
- powder-coated steel carrying handle
- **core made of plastic**
- locking brake screw
- without cable
- **drum-ø 260 mm**

Order No.	Item	Version	Weight (kg)
315 01 000 000	HT 260.S0	with closed front panel	2.27

## HT 300.S0



- closed front panel
- powder-coated sheet steel discs
- powder-coated steel carrying handle
- **core made of plastic**
- locking brake screw
- without cable
- **drum-ø 300 mm**

Order No.	Item	Version	Weight (kg)
335 01 000 000	HT 300.S0	with closed front panel	2.73

Type:  
Material:

S0 - with closed front panel  
Sheet steel

## SK 4600.S0



- professional stage cable drum for longer cable lengths
- closed front panel
- powder-coated sheet steel discs
- powder-coated steel carrying handle
- truss core
- crank handle
- locking brake screw
- without cable
- not stackable
- transport trolley available as accessory
- **core width 250 mm**

Order No.	Item	Version	Weight (kg)
413 01 000 000	SK 4600.S0	with closed front panel	14.00

## SK 4601.S0



- professional stage cable drum for longer cable lengths
- closed front panel
- powder-coated sheet steel discs
- powder-coated steel carrying handle
- truss core
- crank handle
- locking brake screw
- without cable
- not stackable
- transport trolley available as accessory
- **core width 320 mm**

Order No.	Item	Version	Weight (kg)
414 01 000 000	SK 4601.S0	with closed front panel	14.93



Type:  
Material:

S0 - with closed front panel  
Sheet steel

## SK 4602.S0



- professional stage cable drum for longer cable lengths
- closed front panel
- powder-coated sheet steel discs
- powder-coated steel carrying handle
- truss core
- crank handle
- locking brake screw
- without cable
- not stackable
- transport trolley available as accessory
- **core width 500 mm**

Order No.	Item	Version	Weight (kg)
415 01 000 000	SK 4602.S0	with closed front panel	16.79

## SK 4700.S0



- professional stage cable drum for longer cable lengths
- closed front panel
- powder-coated sheet steel discs
- powder-coated steel frame
- truss core
- crank handle
- locking brake screw
- without cable
- stackable with SK 4700 / SK 4730 / SK 4812 / SK 4822
- transport trolley available as accessory
- **core width 250 mm**

Order No.	Item	Version	Weight (kg)
420 01 000 000	SK 4700.S0	with closed front panel	19.50

Type:  
Material:

S0 - with closed front panel  
Sheet steel

## SK 4701.S0



- professional stage cable drum for longer cable lengths
- closed front panel
- powder-coated sheet steel discs
- powder-coated steel frame
- truss core
- crank handle
- locking brake screw
- without cable
- stackable with SK 4701 / SK 4731 / SK 4813 / SK 4823
- transport trolley available as accessory
- **core width 450 mm**

Order No.	Item	Version	Weight (kg)
421 01 000 000	SK 4701.S0	with closed front panel	21.50

## SK 4730.S0



- professional stage cable drum for longer cable lengths
- closed front panel
- additional intermediate plate
- powder-coated sheet steel discs
- powder-coated steel frame
- truss core
- crank handle
- locking brake screw
- without cable
- stackable with SK 4730 / SK 4700 / SK 4812 / SK 4822
- transport trolley available as accessory
- **core width 250 mm**

Order No.	Item	Version	Weight (kg)
425 01 000 000	SK 4730.S0	with closed front panel	21.00

Type:  
Material:

S0 - with closed front panel  
Sheet steel

## SK 4731.S0



- professional stage cable drum for longer cable lengths
- closed front panel
- additional intermediate plate
- powder-coated sheet steel discs
- powder-coated steel frame
- truss core
- crank handle
- locking brake screw
- without cable
- stackable with SK 4731 / SK 4701 / SK 4813 / SK 4823
- transport trolley available as accessory
- **core width 420 mm**

Order No.	Item	Version	Weight (kg)
426 01 000 000	SK 4731.S0	with closed front panel	23.57

## SK 460.250.460 Alu



- professional stage cable drum for particularly long cable lengths
- closed front panel
- powder-coated sheet steel discs, color stone-grey
- coat ring made of polycarbonate
- **black frame made of aluminium**
- crank handle
- spring-loaded brake
- stackable with SK 460
- **drum-ø 460 mm**

Order No.	Item	Version	Weight (kg)
434 02 000 000	SK 460.250.460-Alu	with closed front panel	19.00

Type:  
Material:

S0 - with closed front panel  
Sheet steel

## SK 580.320.450 Alu



- professional stage cable drum for particularly long cable lengths
- closed front panel
- powder-coated sheet steel discs, color stone-grey
- coat ring made of polycarbonate
- **black frame made of aluminium**
- crank handle
- spring-loaded brake
- stackable with SK 580
- **drum-ø 580 mm**

Order No.	Item	Version	Weight (kg)
444 02 000 000	SK 580.320.450-Alu	with closed front panel	23.50

## SK 580.320.450



- professional stage cable drum for particularly long cable lengths
- closed front panel
- powder-coated sheet steel discs, color stone-grey
- coat ring made of polycarbonate
- **black frame made of sheet steel**
- crank handle
- spring-loaded brake
- stackable with SK 580
- **drum-ø 580 mm**

Order No.	Item	Version	Weight (kg)
444 01 000 000	SK 580.320.450	with closed front panel	43.00

**Broadcast van**



Type:  
Material:

S0 - with blank cover  
Plastic

## KB 210.S0



- with blank cover for self-tooling
- without cable
- **casings-ø 175 mm**

Order No.	Item	Version	Weight (kg)
140 01 000 000	KB 210.S0	with blank cover	0.40

## KB 225.S0



- with blank cover for self-tooling
- without cable
- **casings-ø 222 mm**

Order No.	Item	Version	Weight (kg)
170 01 000 000	KB 225.S0	with blank cover	0.70

Type:  
Material:

S0 - with blank cover  
Plastic

## KB 170.S0



- especially free-moving configuration
- with blank cover for self-tooling
- without cable
- **caseing width 181 mm**

Order No.	Item	Version	Weight (kg)
120 01 000 000	KB 170.S0	with blank cover	0.60

## KB 220.S0



- especially free-moving configuration
- with blank cover for self-tooling
- without cable
- **caseing width 220 mm**

Order No.	Item	Version	Weight (kg)
150 01 000 000	KB 220.S0	with blank cover	0.76

Type:  
Material:

S0 - with blank cover  
Plastic

## IT 266.S0



- blank cover for self-tooling
- locking brake screw
- without cable
- **drum-ø 266 mm**

Order No.	Item	Version	Weight (kg)
230 01 000 000	IT 266.S0	with blank cover	1.25

## IT 280.S0



- blank cover for self-tooling
- spool made of plastic
- **steel carrying handle**
- locking brake screw
- without cable
- **drum-ø 280 mm**

Order No.	Item	Version	Weight (kg)
240 01 000 000	IT 280.S0	with blank cover	1.37



Type:  
Material:

S0 - with blank cover  
Plastic

## IT 300K.S0



- blank cover for self-tooling
- discs and core made of plastic
- **powder-coated steel carrying handle**
- locking brake screw
- without cable
- **drum-ø 300 mm**

Order No.	Item	Version	Weight (kg)
260 01 000 000	IT 300K.S0	with blank cover	2.37

## IT 380.S0



- blank cover for self-tooling
- discs and core made of plastic
- **powder-coated steel carrying handle**
- locking brake screw
- for larger cable diameters and lengths
- without cable
- **drum-ø 380 mm**

Order No.	Item	Version	Weight (kg)
290 01 000 000	IT 380.S0	with blank cover	3.65

Type:  
Material:

S0 - with blank cover  
Special rubber

## GT 235.S0



- blank cover for self-tooling
- locking brake screw
- without cable
- **drum-ø 235 mm**

Order No.	Item	Version	Weight (kg)
200 01 000 000	GT 235.S0	with blank cover	1.02

## GT 310.S0



- blank cover for self-tooling
- locking brake screw
- without cable
- **drum-ø 310 mm**

Order No.	Item	Version	Weight (kg)
270 01 000 000	GT 310.S0	with blank cover	1.76

Type:  
Material:

S0 - with blank cover  
Special rubber

## GT 380.S0



- blank cover for self-tooling
- locking brake screw
- without cable
- travelling unit available as accessory
- **drum-ø 380 mm**

Order No.	Item	Version	Weight (kg)
275 01 000 000	GT 380.S0	with blank cover	4.15

## GT 450.S0



- blank cover for self-tooling
- locking brake screw
- without cable
- travelling unit available as accessory
- **drum-ø 450 mm**

Order No.	Item	Version	Weight (kg)
280 01 000 000	GT 450.S0	with blank cover	5.40

Type:  
Material:

S0 - with blank cover  
Sheet steel

## HT 300K.S0



- blank cover for self-tooling
- powder-coated sheet steel discs
- powder-coated steel carrying handle
- **core made of plastic**
- locking brake screw
- without cable
- **core width 141 mm**

Order No.	Item	Version	Weight (kg)
336 01 000 000	HT 300K.S0	with blank cover	3.10

## HT 305.S0



- blank cover for self-tooling
- powder-coated sheet steel discs
- powder-coated steel carrying handle
- **core made of plastic**
- locking brake screw
- without cable
- **core width 209 mm**

Order No.	Item	Version	Weight (kg)
338 01 000 000	HT 305.S0	with blank cover	4.14

Type:  
Material:

S0 - with blank cover  
Sheet steel

## HT 380.S0



- blank cover for self-tooling
- powder-coated sheet steel discs
- powder-coated steel carrying handle
- **core made of plastic**
- locking brake screw
- without cable
- travelling column unit available as accessory
- **core-ø 178 mm**

Order No.	Item	Version	Weight (kg)
365 01 000 000	HT 380.S0	with blank cover	5.28

## HT 381.S0



- blank cover for self-tooling
- powder-coated sheet steel discs
- powder-coated steel carrying handle
- **core made of plastic**
- locking brake screw
- without cable
- travelling column unit available as accessory
- **core-ø 240 mm**

Order No.	Item	Version	Weight (kg)
364 01 000 000	HT 381.S0	with blank cover	5.78

Type:  
Material:

S0 - with blank cover  
Sheet steel

## HT 385.S0



- blank cover for self-tooling
- powder-coated sheet steel discs
- powder-coated steel carrying handle
- **core made of plastic**
- locking brake screw
- without cable
- travelling column unit available as accessory
- **core-ø 176 mm**

Order No.	Item	Version	Weight (kg)
368 01 000 000	HT 385.S0	with blank cover	5.65

## HT 480.S0



- blank cover for self-tooling
- powder-coated sheet steel discs
- powder-coated steel carrying handle
- **core made of plastic**
- locking brake screw
- without cable
- travelling column unit available as accessory
- **core-ø 178 mm**

Order No.	Item	Version	Weight (kg)	
374 01 000 000	HT 480.S0	with blank cover	7.31	
374 01 000 500	HT 480.S0	with blank cover	sloping cable entry point	7.34

Type:  
Material:

S0 - with blank cover  
Sheet steel

## HT 481.S0



- blank cover for self-tooling
- powder-coated sheet steel discs
- powder-coated steel carrying handle
- **core made of plastic**
- locking brake screw
- without cable
- travelling column unit available as accessory
- **core-ø 240 mm**

Order No.	Item	Version	Weight (kg)
377 01 000 000	HT 481.S0	with blank cover	8.73

## HT 482.S0



- blank cover for self-tooling
- powder-coated sheet steel discs
- powder-coated steel carrying handle
- **core made of plastic**
- locking brake screw
- without cable
- travelling column unit available as accessory
- **core-ø 320 mm**

Order No.	Item	Version	Weight (kg)
378 01 000 000	HT 482.S0	with blank cover	8.27

Type:  
Material:

S0 - with blank cover  
Sheet steel

## HT 485.S0



- blank cover for self-tooling
- powder-coated sheet steel discs
- powder-coated steel carrying handle
- **core made of plastic**
- locking brake screw
- without cable
- travelling column unit available as accessory
- **core-ø 176 mm**

Order No.	Item	Version	Weight (kg)
376 01 001 000	HT 485.S0	with blank cover	7.62

## HT 582.S0



- blank cover for self-tooling
- powder-coated sheet steel discs
- powder-coated steel carrying handle
- **core made of plastic**
- locking brake screw
- without cable
- travelling column unit available as accessory
- **core-ø 320 mm**

Order No.	Item	Version	Weight (kg)
375 01 000 000	HT 582.S0	with blank cover	12.98



Type:  
Material:

S0 - with blank cover  
Special rubber

## SK 310.S0



- professional stage cable drum
- blank cover for self-tooling
- spool made of special rubber
- **powder-coated steel frame**
- locking brake screw
- without cable
- stackable with SK 310
- transport trolley available as accessory
- **drum-ø 310 mm**

Order No.	Item	Version	Weight (kg)
402 01 000 000	SK 310.S0	with blank cover	6.03

## SK 380.S0



- professional stage cable drum
- blank cover for self-tooling
- spool made of special rubber
- **powder-coated steel frame**
- locking brake screw
- without cable
- stackable with SK 380
- transport trolley available as accessory
- **drum-ø 380 mm**

Order No.	Item	Version	Weight (kg)
403 01 000 000	SK 380.S0	with blank cover	6.03

Type:  
Material:

S0 - with blank cover  
Special rubber

## SK 450.S0



- professional stage cable drum
- blank cover for self-tooling
- spool made of special rubber
- **powder-coated steel frame**
- locking brake screw
- without cable
- stackable with SK 450
- transport trolley available as accessory
- **drum-ø 450 mm**

Order No.	Item	Version	Weight (kg)
404 01 000 000	SK 450.S0	with blank cover	6.03

Type:  
Material:

S0 - with blank cover  
Sheet steel

## SK 302.S0



- professional stage cable drum for longer cable lengths
- blank cover for self-tooling
- powder-coated sheet steel discs
- powder-coated steel frame
- **core made of plastic**
- locking brake screw
- without cable
- stackable with SK 302
- **core width 419 mm**

Order No.	Item	Version	Weight (kg)
405 01 000 000	SK 302.S0	with blank cover	10.60

## SK 4821.S0



- professional stage cable drum for longer cable lengths
- blank cover for self-tooling
- powder-coated sheet steel discs
- powder-coated steel frame
- **core made of plastic**
- locking brake screw
- without cable
- stackable with SK 4821
- transport trolley available as accessory
- **core width 169 mm**

Order No.	Item	Version	Weight (kg)
431 01 000 000	SK 4821.S0	with blank cover	13.40

Type:  
Material:

S0 - with blank cover  
Sheet steel

## SK 4822.S0



- professional stage cable drum for longer cable lengths
- blank cover for self-tooling
- powder-coated sheet steel discs
- powder-coated steel frame
- **core made of plastic**
- locking brake screw
- without cable
- stackable with SK 4822 / SK 4700 / SK 4730 / SK 4812
- transport trolley and retrofittable roller set available as accessory
- **core width 338 mm**
- can be retrofitted to a mobile unit with a set of rollers Art. 900 90 700 000 through prepared threads in the drum feet

Order No.	Item	Version	Weight (kg)
435 01 000 000	SK 4822.S0	with blank cover	19.90

## SK 4823.S0



- professional stage cable drum for longer cable lengths
- blank cover for self-tooling
- powder-coated sheet steel discs
- powder-coated steel frame
- **core made of plastic**
- locking brake screw
- without cable
- stackable with SK 4823 / SK 4701 / SK 4731 / SK 4813
- transport trolley and retrofittable roller set available as accessory
- **core width 504 mm**
- can be retrofitted to a mobile unit with a set of rollers Art. 900 90 700 000 through prepared threads in the drum feet

Order No.	Item	Version	Weight (kg)
436 01 000 000	SK 4823.S0	with blank cover	22.00

**Broadcast van**



Type:  
Material:

RM - with auxiliary spool  
Plastic

## IT 266.RM



- for storing and safely transporting all types of lines and wires for example pneumatic tubes, water hose, high pressure hoses, ropes, control and speciality cables
- RM-auxiliary spool
- locking brake screw
- without cable
- **drum-ø 266 mm**

Order No.	Item	Version	Weight (kg)
230 39 000 000	IT 266.RM	with RM-auxiliary spool	1.26

## IT 300K.RM



- for storing and safely transporting all types of lines and wires for example pneumatic tubes, water hose, high pressure hoses, ropes, control and speciality cables
- RM-auxiliary spool
- locking brake screw
- discs and core made of plastic
- **powder-coated steel carrying handle**
- without cable
- **drum-ø 300 mm**

Order No.	Item	Version	Weight (kg)
260 39 000 000	IT 300K.RM	with RM-auxiliary spool	with velcro strap 2.38

Type:  
Material:

RM - with auxiliary spool  
Plastic

## IT 380.RM



- for storing and safely transporting all types of lines and wires for example pneumatic tubes, water hose, high pressure hoses, ropes, control and speciality cables
- RM-auxiliary spool
- locking brake screw
- for larger cable diameters and lengths
- discs and core made of plastic
- **powder-coated steel carrying handle**
- without cable
- **drum-ø 380 mm**

Order No.	Item	Version		Weight (kg)
290 39 000 000	IT 380.RM	with RM-auxiliary spool	with velcro strap	3.61

Type:  
Material:

RM - with auxiliary spool  
Plastic

## SL 500 light



- **special cable drum with frame made of powder-coated steel tube, color black**
- discs and coat-ring made of glass-fibre reinforced polycarbonate, color stone-grey
- 6 RM-angle made of plastic
- with brake
- crank handle
- stackable with SL 500 light / SL 500

Order No.	Item	Version	Weight (kg)
440 00 000 001	SL 500 light	with RM-auxiliary angle	18.00



Type:  
Material:

RM - with auxiliary spool  
Special rubber

## GT 235.RM



- for storing and safely transporting all types of lines and wires for example pneumatic tubes, water hose, high pressure hoses, ropes, control and speciality cables
- RM-auxiliary spool
- locking brake screw
- without cable
- **drum-ø 235 mm**

Order No.	Item	Version		Weight (kg)
200 39 000 000	GT 235.RM	with RM-auxiliary spool	core opening ø 43 mm	1.03

## GT 310.RM



- for storing and safely transporting all types of lines and wires for example pneumatic tubes, water hose, high pressure hoses, ropes, control and speciality cables
- RM-auxiliary spool
- locking brake screw
- without cable
- **drum-ø 310 mm**

Order No.	Item	Version		Weight (kg)
270 39 000 000	GT 310.RM	with RM-auxiliary spool	with velcro strap, core opening ø 43 mm	1.78
270 39 000 700	GT 310.RM-CORE HOLE 43-LEATHER STRAP	with RM-auxiliary spool	with leather strap, core opening ø 43 mm	1.78
270 39 000 430	GT 310.RM-FRONT HOLE 42 - VELCO STRAP	with RM auxiliary spool	RM-spool, flange hole ø 42 mm	1.78

Type:  
Material:

RM - with auxiliary spool  
Special rubber

## GT 380.RM



- for storing and safely transporting all types of lines and wires for example pneumatic tubes, water hose, high pressure hoses, ropes, control and speciality cables
- RM-auxiliary spool
- locking brake screw
- without cable
- travelling unit available as accessory
- **drum-ø 380 mm**

Order No.	Item	Version		Weight (kg)
275 39 000 000	GT 380.RM	with RM-auxiliary spool	with velcro strap, core opening ø 50 mm	4.25
275 39 000 700	GT 380.RM-CORE HOLE 50-LEATHER STRAP	with RM-auxiliary spool	with leather strap, core opening ø 50 mm	4.25

## GT 450.RM



- for storing and safely transporting all types of lines and wires for example pneumatic tubes, water hose, high pressure hoses, ropes, control and speciality cables
- RM-auxiliary spool
- locking brake screw
- without cable
- travelling unit available as accessory
- **drum-ø 450 mm**

Order No.	Item	Version		Weight (kg)
280 39 000 000	GT 450.RM	with RM-auxiliary spool	with velcro strap, core opening ø 60 mm	5.58

Type:  
Material:

RM - with auxiliary spool  
Sheet steel

## HT 300K.RM



- for storing and safely transporting all types of lines and wires for example pneumatic tubes, water hose, high pressure hoses, ropes, control and speciality cables
- RM-auxiliary spool
- locking brake screw
- powder-coated sheet steel discs
- powder-coated steel carrying handle
- **core made of plastic**
- without cable
- **core width 141 mm**

Order No.	Item	Version		Weight (kg)
336 39 000 000	HT 300K.RM	with RM-auxiliary spool	with velcro strap	3.12
336 39 000 500	HT 300K.RM-BLACK-CORE 51196	with RM-auxiliary spool	velcro strap, sloping cable entry point	3.12

## HT 305.RM



- for storing and safely transporting all types of lines and wires for example pneumatic tubes, water hose, high pressure hoses, ropes, control and speciality cables
- RM-auxiliary spool
- locking brake screw
- powder-coated sheet steel discs
- powder-coated steel carrying handle
- **core made of plastic**
- without cable
- **core width 210 mm**

Order No.	Item	Version		Weight (kg)
338 39 000 000	HT 305.RM	with RM-auxiliary spool	with velcro strap	4.15
338 39 000 500	HT 305.RM-BLACK-CORE 51196	with RM-auxiliary spool	velcro strap, sloping cable entry point	3.92

Type:  
Material:

RM - with auxiliary spool  
Sheet steel

## HT 380.RM



- for storing and safely transporting all types of lines and wires for example pneumatic tubes, water hose, high pressure hoses, ropes, control and speciality cables
- RM-auxiliary spool
- locking brake screw
- powder-coated sheet steel discs
- powder-coated steel carrying handle
- **core made of plastic**
- without cable
- travelling column unit available as accessory
- **core- $\varnothing$  178 mm**

Order No.	Item	Version		Weight (kg)
365 39 000 000	HT 380.RM	with RM-auxiliary spool	with velcro strap	5.30
365 39 000 500	HT 380.RM-BLACK-CORE 51196	with RM-auxiliary spool	velcro strap, sloping cable entry point	5.30
365 39 000 501	HT 380.RM-BLACK-CORE HO-LE 43x43	with RM-auxiliary spool	velcro strap, core opening 43x43 mm	5.30

## HT 381.RM



- for storing and safely transporting all types of lines and wires for example pneumatic tubes, water hose, high pressure hoses, ropes, control and speciality cables
- RM-auxiliary spool
- locking brake screw
- powder-coated sheet steel discs
- powder-coated steel carrying handle
- **core made of plastic**
- without cable
- travelling column unit available as accessory
- **core- $\varnothing$  240 mm**

Order No.	Item	Version		Weight (kg)
364 39 000 000	HT 381.RM	with RM-auxiliary spool	with velcro strap	5.79

Type:  
Material:

RM - with auxiliary spool  
Sheet steel

## HT 385.RM



- for storing and safely transporting all types of lines and wires for example pneumatic tubes, water hose, high pressure hoses, ropes, control and speciality cables
- RM-auxiliary spool
- locking brake screw
- powder-coated sheet steel discs
- powder-coated steel carrying handle
- **core made of plastic**
- without cable
- travelling column unit available as accessory
- **core-ø 176 mm**

Order No.	Item	Version		Weight (kg)
368 39 000 000	HT 385.RM	with RM-auxiliary spool	with velcro strap	5.66
368 39 000 500	HT 385.RM-BLACK-CORE HO-LE 60x60	with RM-auxiliary spool	with velcro strap, core opening 60x60 mm	5.66

## HT 480.RM



- for storing and safely transporting all types of lines and wires for example pneumatic tubes, water hose, high pressure hoses, ropes, control and speciality cables
- RM-auxiliary spool
- locking brake screw
- powder-coated sheet steel discs
- powder-coated steel carrying handle
- **core made of plastic**
- without cable
- travelling column unit available as accessory
- **core-ø 178 mm**

Order No.	Item	Version		Weight (kg)
374 39 000 000	HT 480.RM	with RM-auxiliary spool	with velcro strap	7.30
374 39 000 500	HT 480.RM-black-CORE 51196	with RM-auxiliary spool	velcro strap, sloping cable entry point	6.55

Type:  
Material:

RM - with auxiliary spool  
Sheet steel

## HT 481.RM



- for storing and safely transporting all types of lines and wires for example pneumatic tubes, water hose, high pressure hoses, ropes, control and speciality cables
- RM-auxiliary spool
- locking brake screw
- powder-coated sheet steel discs
- powder-coated steel carrying handle
- **core made of plastic**
- without cable
- travelling column unit available as accessory
- **core-ø 240 mm**

Order No.	Item	Version		Weight (kg)
377 39 000 000	HT 481.RM	with RM-auxiliary spool	with velcro strap	8.73

## HT 482.RM



- for storing and safely transporting all types of lines and wires for example pneumatic tubes, water hose, high pressure hoses, ropes, control and speciality cables
- RM-auxiliary spool
- locking brake screw
- powder-coated sheet steel discs
- powder-coated steel carrying handle
- **core made of plastic**
- without cable
- travelling column unit available as accessory
- **core-ø 320 mm**

Order No.	Item	Version		Weight (kg)
378 39 000 000	HT 482.RM	with RM-auxiliary spool	with velcro strap	8.28

Type:  
Material:

RM - with auxiliary spool  
Sheet steel

## HT 485.RM



- for storing and safely transporting all types of lines and wires for example pneumatic tubes, water hose, high pressure hoses, ropes, control and speciality cables
- RM-auxiliary spool
- locking brake screw
- powder-coated sheet steel discs
- powder-coated steel carrying handle
- **core made of plastic**
- without cable
- travelling column unit available as accessory
- **core-ø 176 mm**

Order No.	Item	Version		Weight (kg)
376 39 001 000	HT 485.RM	with RM-auxiliary spool	with velcro strap	7.63
376 39 001 500	HT 485.RM-BLACK-CORE 60x60	with RM-auxiliary spool	velcro strap, core opening 60x60 mm	6.43

## HT 582.RM



- for storing and safely transporting all types of lines and wires for example pneumatic tubes, water hose, high pressure hoses, ropes, control and speciality cables
- RM-auxiliary spool
- locking brake screw
- powder-coated sheet steel discs
- powder-coated steel carrying handle
- **core made of plastic**
- without cable
- travelling column unit available as accessory
- **core-ø 320 mm**

Order No.	Item	Version		Weight (kg)
375 39 000 000	HT 582.RM	with RM-auxiliary spool	with velcro strap	12.39

Type:  
Material:

RM - with auxiliary spool  
Special rubber

## SK 310.RM



- professional stage cable drum
- for storing and safely transporting all types of lines and wires for example pneumatic tubes, water hose, high pressure hoses, ropes, control and speciality cables
- RM-auxiliary spool
- locking brake screw
- spool made of special rubber
- **powder-coated steel frame**
- stackable with SK 310
- without cable
- transport trolley available as accessory
- **drum-ø 310 mm**

Order No.	Item	Version		Weight (kg)
402 39 000 000	SK 310.RM	with RM-auxiliary spool	velcro strap, core opening ø 43 mm	6.20

## SK 380.RM



- professional stage cable drum
- for storing and safely transporting all types of lines and wires for example pneumatic tubes, water hose, high pressure hoses, ropes, control and speciality cables
- RM-auxiliary spool
- locking brake screw
- spool made of special rubber
- **powder-coated steel frame**
- stackable with SK 380
- without cable
- transport trolley available as accessory
- **drum-ø 380 mm**

Order No.	Item	Version		Weight (kg)
403 39 000 000	SK 380.RM	with RM- auxiliary spool	velcro strap, core opening ø 50 mm	6.23



Type:  
Material:

RM - with auxiliary spool  
Special rubber

## SK 450.RM



- professional stage cable drum
- for storing and safely transporting all types of lines and wires for example pneumatic tubes, water hose, high pressure hoses, ropes, control and speciality cables
- RM-auxiliary spool
- locking brake screw
- spool made of special rubber
- **powder-coated steel frame**
- stackable with SK 450
- without cable
- transport trolley available as accessory
- **drum-ø 450 mm**

Order No.	Item	Version		Weight (kg)
404 39 000 000	SK 450.RM	with RM-auxiliary spool	velcro strap, core opening ø 60 mm	6.14

Type:  
Material:

RM - with auxiliary spool  
Sheet steel

## SK 302.RM



- professional stage cable drum for longer cable lengths
- for storing and safely transporting all types of lines and wires for example pneumatic tubes, water hose, high pressure hoses, ropes, control and speciality cables
- RM-auxiliary spool
- locking brake screw
- powder-coated sheet steel discs
- powder-coated steel frame
- **core made of plastic**
- stackable with SK 302
- without cable
- **core width 419 mm**

Order No.	Item	Version		Weight (kg)
405 39 000 000	SK 302.RM	with RM-auxiliary spool	with velcro strap	10.41

## SK 4600.RM



- professional stage cable drum for longer cable lengths
- for storing and safely transporting all types of lines and wires for example pneumatic tubes, water hose, high pressure hoses, ropes, control and speciality cables
- RM-auxiliary spool
- locking brake screw
- powder-coated sheet steel discs
- powder-coated steel handle
- truss core
- crank handle
- not stackable
- without cable
- transport trolley available as accessory
- **core width 250 mm**

Order No.	Item	Version		Weight (kg)
413 39 000 000	SK 4600.RM	with RM-auxiliary spool	with velcro strap	13.40

Type:  
Material:

RM - with auxiliary spool  
Sheet steel

## SK 4601.RM



- professional stage cable drum for longer cable lengths
- for storing and safely transporting all types of lines and wires for example pneumatic tubes, water hose, high pressure hoses, ropes, control and speciality cables
- RM-auxiliary spool
- locking brake screw
- powder-coated sheet steel discs
- powder-coated steel handle
- truss core
- crank handle
- not stackable
- without cable
- transport trolley available as accessory
- **core width 350 mm**

Order No.	Item	Version		Weight (kg)
414 39 000 000	SK 4601.RM	with RM-auxiliary spool	with velcro strap	15.13

## SK 4602.RM



- professional stage cable drum for longer cable lengths
- for storing and safely transporting all types of lines and wires for example pneumatic tubes, water hose, high pressure hoses, ropes, control and speciality cables
- RM-auxiliary spool
- locking brake screw
- powder-coated sheet steel discs
- powder-coated steel handle
- truss core
- crank handle
- not stackable
- without cable
- transport trolley available as accessory
- **core width 500 mm**

Order No.	Item	Version		Weight (kg)
415 39 000 000	SK 4602.RM	with RM-auxiliary spool	with velcro strap	16.99

Type:  
Material:

RM - with auxiliary spool  
Sheet steel

## SK 4700.RM



- professional stage cable drum for longer cable lengths
- for storing and safely transporting all types of lines and wires for example pneumatic tubes, water hose, high pressure hoses, ropes, control and speciality cables
- RM-auxiliary spool
- locking brake screw
- powder-coated sheet steel discs
- powder-coated steel frame
- truss core
- crank handle
- stackable with SK 4700 / SK 4730 / SK 4812 / SK 4822
- without cable
- transport trolley available as accessory
- **core width 250 mm**

Order No.	Item	Version		Weight (kg)
420 39 000 000	SK 4700.RM	with RM-auxiliary spool	with velcro strap	18.78

## SK 4701.RM



- professional stage cable drum for longer cable lengths
- for storing and safely transporting all types of lines and wires for example pneumatic tubes, water hose, high pressure hoses, ropes, control and speciality cables
- RM-auxiliary spool
- locking brake screw
- powder-coated sheet steel discs
- powder-coated steel frame
- truss core
- crank handle
- stackable with SK 4701 / SK 4731 / SK 4813 / SK 4823
- without cable
- transport trolley available as accessory
- **core width 450 mm**

Order No.	Item	Version		Weight (kg)
421 39 000 000	SK 4701.RM	with RM-auxiliary spool	with velcro strap	19.40

Type:  
Material:

RM - with auxiliary spool  
Sheet steel

## SK 4812.RM



- professional stage cable drum for longer cable lengths
- for storing and safely transporting all types of lines and wires for example pneumatic tubes, water hose, high pressure hoses, ropes, control and speciality cables
- RM-auxiliary spool
- locking brake screw
- powder-coated sheet steel discs
- powder-coated steel frame
- **core made of plastic**
- 1 axle bearing
- 1 outside storage
- folding crank
- stackable with SK 4812 / SK 4700 / SK 4730 / SK 4822
- without cable
- transport trolley and retrofittable roller set available as accessory
- **core width 336 mm**
- can be retrofitted to a mobile unit with a set of rollers Art. 900 90 700 000 through prepared threads in the drum feet

Order No.	Item	Version		Weight (kg)
434 39 000 000	SK 4812.RM	with RM-auxiliary spool	with velcro strap, core opening 60x60 mm	17.90

## SK 4813.RM



- professional stage cable drum for longer cable lengths
- for storing and safely transporting all types of lines and wires for example pneumatic tubes, water hose, high pressure hoses, ropes, control and speciality cables
- RM-auxiliary spool
- locking brake screw
- powder-coated sheet steel discs
- powder-coated steel frame
- **core made of plastic**
- 1 axle bearing
- 1 outside storage
- folding crank
- stackable with SK 4813 / SK 4701 / SK 4731 / SK 4823
- without cable
- transport trolley and retrofittable roller set available as accessory
- **core width 504 mm**
- can be retrofitted to a mobile unit with a set of rollers Art. 900 90 700 000 through prepared threads in the drum feet

Order No.	Item	Version		Weight (kg)
438 39 000 000	SK 4813.RM	with RM-auxiliary spool	with velcro strap, core opening 60x60 mm	17.90

Type:  
Material:

RM - with auxiliary spool  
Sheet steel

## SK 4822.RM



- professional stage cable drum for longer cable lengths
- for storing and safely transporting all types of lines and wires for example pneumatic tubes, water hose, high pressure hoses, ropes, control and speciality cables
- RM-auxiliary spool
- locking brake screw
- powder-coated sheet steel discs
- powder-coated steel frame
- **core made of plastic**
- stackable with SK 4822 / SK 4812 / SK 4700 / SK 4730
- without cable
- transport trolley and retrofittable roller set available as accessory
- **core width 338 mm**
- can be retrofitted to a mobile unit with a set of rollers Art. 900 90 700 000 through prepared threads in the drum feet

Order No.	Item	Version		Weight (kg)
435 39 000 000	SK 4822.RM	with RM-auxiliary spool	with velcro strap	17.90

## SK 4823.RM



- professional stage cable drum for longer cable lengths
- for storing and safely transporting all types of lines and wires for example pneumatic tubes, water hose, high pressure hoses, ropes, control and speciality cables
- RM-auxiliary spool
- locking brake screw
- powder-coated sheet steel discs
- powder-coated steel frame
- **core made of plastic**
- stackable with SK 4823 / SK 4701 / SK 4731 / SK 4813
- without cable
- transport trolley and retrofittable roller set available as accessory
- **core width 504 mm**
- can be retrofitted to a mobile unit with a set of rollers Art. 900 90 700 000 through prepared threads in the drum feet

Order No.	Item	Version		Weight (kg)
436 39 000 000	SK 4823.RM	with RM-auxiliary spool	with velcro strap	19.90

Type:  
Material:

MFK - with latching door  
Plastic

## SL 500



The SL 500 has been specially developed to suit the wishes and requirements of users, in particular in the broadcasting sector. This model is suited to robust, professional use and has 4 strengthened reel holders. In addition it is equipped as standard with the reputable MFK cover, so that the connections are protected in the cover for safety and ease of access. The adjustable brakes prevent unintentional rolling away.

- MFK cover with latching door
- powder-coated steel tube frame, color black
- discs and coat ring made of glass-fibre reinforced polycarbonate, color stone-grey
- strengthened reel holders
- solid crank handle
- fold-away carrying handle
- special brakes
- stackable with SL 500 / SL 500 light
- stackable - up to 12 pcs. fit onto a EURO palette
- without cable

Order No.	Item	Version	Weight (kg)
440 00 000 000	SL 500	with latching door (2 hinges)	18.00

Type:  
Material:

MFK - with latching door  
Special rubber

## GT 310.MFK



- latching door
- the door ensures optimal protection of your high quality cable connectors; the door allows you to store cable connectors inside drum to prevent damage to your valuable connectors during rolling up and off the cable drum
- locking brake screw
- without cable
- **drum-ø 310 mm**

Order No.	Item	Version		Weight (kg)
270 01 000 540	GT 310.MFK	with latching door (1 hinge)	core opening ø 43 mm	1.78

## GT 380.MFK



- latching door
- the door ensures optimal protection of your high quality cable connectors; the door allows you to store cable connectors inside drum to prevent damage to your valuable connectors during rolling up and off the cable drum
- locking brake screw
- without cable
- travelling unit available as accessory
- **drum-ø 380 mm**

Order No.	Item	Version		Weight (kg)
275 01 000 550	GT 380.MFK	with latching door (2 hinges)	core opening ø 50 mm	4.22



Type:  
Material:

MFK - with latching door  
Special rubber

## GT 450.MFK



- latching door
- the door ensures optimal protection of your high quality cable connectors; the door allows you to store cable connectors inside drum to prevent damage to your valuable connectors during rolling up and off the cable drum
- locking brake screw
- without cable
- travelling unit available as accessory
- **drum-ø 450 mm**

Order No.	Item	Version		Weight (kg)
280 00 000 560	GT 450.MFK	with latching door (2 hinges)	core opening ø 60 mm	5.60

Type:  
Material:

MFK - with latching door  
Sheet steel

## HT 300K.MFK



- latching door
- the door ensures optimal protection of your high quality cable connectors; the door allows you to store cable connectors inside drum to prevent damage to your valuable connectors during rolling up and off the cable drum
- powder-coated sheet steel discs
- powder-coated steel carrying handle
- **core made of plastic**
- locking brake screw
- without cable
- **core width 141 mm**

Order No.	Item	Version		Weight (kg)
332 30 000 000	HT 300K.MFK	with latching door (1 hinge)	core opening 43x43 mm	2.95

## HT 305.MFK



- latching door
- the door ensures optimal protection of your high quality cable connectors; the door allows you to store cable connectors inside drum to prevent damage to your valuable connectors during rolling up and off the cable drum
- powder-coated sheet steel discs
- powder-coated steel carrying handle
- **core made of plastic**
- locking brake screw
- without cable
- **core width 209 mm**

Order No.	Item	Version		Weight (kg)
338 30 000 000	HT 305.MFK	with latching door (1 hinge)	core opening 60x60 mm	3.99

Type:  
Material:

MFK - with latching door  
Sheet steel

## HT 380.MFK



- latching door
- the door ensures optimal protection of your high quality cable connectors; the door allows you to store cable connectors inside drum to prevent damage to your valuable connectors during rolling up and off the cable drum
- powder-coated sheet steel discs
- powder-coated steel carrying handle
- **core made of plastic**
- locking brake screw
- without cable
- travelling column unit available as accessory
- **core width 141 mm**

Order No.	Item	Version		Weight (kg)
365 30 000 000	HT 380.MFK	with latching door (1 hinge)	core opening 43x43 mm	5.14

## HT 385.MFK



- latching door
- the door ensures optimal protection of your high quality cable connectors; the door allows you to store cable connectors inside drum to prevent damage to your valuable connectors during rolling up and off the cable drum
- powder-coated sheet steel discs
- powder-coated steel carrying handle
- **core made of plastic**
- locking brake screw
- without cable
- travelling column unit available as accessory
- **core width 209 mm**

Order No.	Item	Version		Weight (kg)
368 01 000 501	HT 385.MFK	with latching door (1 hinge)	core opening 60x60 mm	5.65

Type:  
Material:

MFK - with latching door  
Sheet steel

## HT 480.MFK



- latching door
- the door ensures optimal protection of your high quality cable connectors; the door allows you to store cable connectors inside drum to prevent damage to your valuable connectors during rolling up and off the cable drum
- powder-coated sheet steel discs
- powder-coated steel carrying handle
- **core made of plastic**
- locking brake screw
- without cable
- travelling column unit available as accessory
- **core width 141 mm**

Order No.	Item	Version		Weight (kg)
376 30 000 000	HT 480.MFK	with latching door (1 hinge)	core opening 43x43 mm	7.16

## HT 485.MFK



- latching door
- the door ensures optimal protection of your high quality cable connectors; the door allows you to store cable connectors inside drum to prevent damage to your valuable connectors during rolling up and off the cable drum
- powder-coated sheet steel discs
- powder-coated steel carrying handle
- **core made of plastic**
- locking brake screw
- without cable
- travelling column unit available as accessory
- **core width 209 mm**

Order No.	Item	Version		Weight (kg)
376 00 000 560	HT 485.MFK	with latching door (1 hinge)	core opening 60x60 mm	7.19

Type:  
Material:

MFK - with latching door  
Sheet steel

## HT 582.MFK



- latching door
- the door ensures optimal protection of your high quality cable connectors; the door allows you to store cable connectors inside drum to prevent damage to your valuable connectors during rolling up and off the cable drum
- powder-coated sheet steel discs
- powder-coated steel carrying handle
- **core made of plastic**
- locking brake screw
- without cable
- travelling column unit available as accessory
- **core width 169 mm**

Order No.	Item	Version		Weight (kg)
375 30 000 000	HT 582.MFK	with latching door (1 hinge)	core opening 60x60 mm	7.16

Type:  
Material:

MFK - with latching door  
Special rubber

## SK 310.MFK



- professional stage cable drum
- latching door
- the door ensures optimal protection of your high quality cable connectors; the door allows you to store cable connectors inside drum to prevent damage to your valuable connectors during rolling up and off the cable drum
- spool made of special rubber
- **powder-coated steel frame**
- locking brake screw
- stackable with SK 310
- without cable
- transport trolley available as accessory
- **drum-ø 310 mm**

Order No.	Item	Version		Weight (kg)
402 70 000 000	SK 310.MFK	with latching door (1 hinge)	core opening ø 43 mm	6.20

## SK 380.MFK



- professional stage cable drum
- latching door
- the door ensures optimal protection of your high quality cable connectors; the door allows you to store cable connectors inside drum to prevent damage to your valuable connectors during rolling up and off the cable drum
- spool made of special rubber
- **powder-coated steel frame**
- locking brake screw
- stackable with SK 380
- without cable
- transport trolley available as accessory
- **drum-ø 380 mm**

Order No.	Item	Version		Weight (kg)
403 00 000 550	SK 380.MFK	with latching door (2 hinges)	core opening ø 50 mm	6.03

Type:  
Material:

MFK - with latching door  
Special rubber

## SK 450.MFK



- professional stage cable drum
- latching door
- the door ensures optimal protection of your high quality cable connectors; the door allows you to store cable connectors inside drum to prevent damage to your valuable connectors during rolling up and off the cable drum
- spool made of special rubber
- **powder-coated steel frame**
- locking brake screw
- stackable with SK 450
- without cable
- transport trolley available as accessory
- **drum-ø 450 mm**

Order No.	Item	Version		Weight (kg)
404 00 000 560	SK 450.MFK	with latching door (2 hinges)	core opening ø 60 mm	7.64

Type:  
Material:

MFK - with latching door  
Sheet steel

## SK 302.MFK



- professional stage cable drum for longer cable lengths
- latching door
- the door ensures optimal protection of your high quality cable connectors; the door allows you to store cable connectors inside drum to prevent damage to your valuable connectors during rolling up and off the cable drum
- powder-coated sheet steel discs
- powder-coated steel frame
- **core made of plastic**
- locking brake screw
- stackable with SK 302
- without cable
- **core width 419 mm**

Order No.	Item	Version	Weight (kg)
405 70 000 000	SK 302.MFK	with latching door (1 hinge)	10.41



Type:  
Material:

RMFK - with latching door and auxiliary spool  
Special rubber

## GT 380.RMFK



- latching door and RM-auxiliary spool with velcro strap
- the door ensures optimal protection of your high quality cable connectors; the door allows you to store cable connectors inside drum to prevent damage to your valuable connectors during rolling up and off the cable drum
- for storing and safely transporting all types of lines and wires for example pneumatic tubes, water hose, high pressure hoses, ropes, control and speciality cables
- locking brake screw
- without cable
- travelling unit available as accessory
- **drum-ø 380 mm**

Order No.	Item	Version		Weight (kg)
275 29 000 000	GT 380.RMFK	with latching door (2 hinges)	RM spool, flange hole ø 51 mm	4.22

## GT 450.RMFK



- latching door and RM-auxiliary spool with velcro strap
- the door ensures optimal protection of your high quality cable connectors; the door allows you to store cable connectors inside drum to prevent damage to your valuable connectors during rolling up and off the cable drum
- for storing and safely transporting all types of lines and wires for example pneumatic tubes, water hose, high pressure hoses, ropes, control and speciality cables
- locking brake screw
- without cable
- travelling unit available as accessory
- **drum-ø 450 mm**

Order No.	Item	Version		Weight (kg)
280 29 000 000	GT 450.RMFK	with latching door (2 hinges)	RM-spool, flange hole ø 51 mm	5.60

Type:  
Material:

RMFK - with latching door and auxiliary spool  
Special rubber

## SK 380.RMFK



- professional stage cable drum
- latching door and RM-auxiliary spool with velcro strap
- the door ensures optimal protection of your high quality cable connectors; the door allows you to store cable connectors inside drum to prevent damage to your valuable connectors during rolling up and off the cable drum
- for storing and safely transporting all types of lines and wires for example pneumatic tubes, water hose, high pressure hoses, ropes, control and speciality cables
- locking brake screw
- spool made of special rubber
- **powder-coated steel frame**
- stackable with SK 380
- without cable
- transport trolley available as accessory
- **drum-ø 380 mm**

Order No.	Item	Version		Weight (kg)
403 29 000 000	SK 380.RMFK	with latching door (2 hinges)	RM-spool, flange hole ø 51 mm	6.03

## SK 450.RMFK



- professional stage cable drum
- latching door and RM-auxiliary spool with velcro strap
- the door ensures optimal protection of your high quality cable connectors; the door allows you to store cable connectors inside drum to prevent damage to your valuable connectors during rolling up and off the cable drum
- for storing and safely transporting all types of lines and wires for example pneumatic tubes, water hose, high pressure hoses, ropes, control and speciality cables
- locking brake screw
- spool made of special rubber
- **powder-coated steel frame**
- stackable with SK 450
- without cable
- transport trolley available as accessory
- **drum-ø 450 mm**

Order No.	Item	Version		Weight (kg)
404 29 000 000	SK 450.RMFK	with latching door (2 hinges)	RM-spool, flange hole ø 51 mm	6.20

Type:  
Material:

MS - with data slip ring  
Special rubber

## GT 450.MS6



- 6-pin data slip ring for signal transmission
- junction box
- spool made of special rubber
- locking brake screw
- without cable
- **drum-ø 450 mm**

Order No.	Item	Version	Weight (kg)
280 06 000 000	GT 450.MS6	with 6-pin data slip ring max. 2A	7.49

Type:  
Material:

MS - with data slip ring  
Sheet steel

## HT 300K.MS6



- 6-pin data slip ring for signal transmission
- junction box
- powder-coated sheet steel discs
- powder-coated steel carrying handle
- **core made of plastic**
- locking brake screw
- without cable
- **core width 141 mm**

Order No.	Item	Version	Weight (kg)
331 06 000 000	HT 300K.MS6	with 6-pin data slip ring max. 2A	4.17

## HT 305.MS6



- 6-pin data slip ring for signal transmission
- junction box
- powder-coated sheet steel discs
- powder-coated steel carrying handle
- **core made of plastic**
- locking brake screw
- without cable
- **core width 210 mm**

Order No.	Item	Version	Weight (kg)
338 06 000 000	HT 305.MS6	with 6-pin data slip ring max. 2A	4.60

Type:  
Material:

MS - with data slip ring  
Sheet steel

## HT 380.MS6



- 6-pin data slip ring for signal transmission
- junction box
- powder-coated sheet steel discs
- powder-coated steel carrying handle
- **core made of plastic**
- locking brake screw
- without cable
- **core width 141 mm**

Order No.	Item	Version	Weight (kg)
360 06 000 000	HT 380.MS6	with 6-pin data slip ring max. 2A	8.40

## HT 385.MS6



- 6-pin data slip ring for signal transmission
- junction box
- powder-coated sheet steel discs
- powder-coated steel carrying handle
- **core made of plastic**
- locking brake screw
- without cable
- **core width 210 mm**

Order No.	Item	Version	Weight (kg)
368 06 000 000	HT 385.MS6	with 6-pin data slip ring max. 2A	8.70

Type:  
Material:

MS - with data slip ring  
Sheet steel

## HT 485.MS6



- 6-pin data slip ring for signal transmission
- junction box
- powder-coated sheet steel discs
- powder-coated steel carrying handle
- **core made of plastic**
- locking brake screw
- without cable
- **core width 210 mm**

Order No.	Item	Version	Weight (kg)
376 06 001 000	HT 485.MS6	with 6-pin data slip ring max. 2A	8.08

Type:  
Material:

MS - with data slip ring  
Special rubber

## GT 450.MS12

---



- 12-pin data slip ring for signal transmission
- junction box
- spool made of special rubber
- locking brake screw
- without cable
- **drum-ø 450 mm**

Order No.	Item	Version	Weight (kg)
280 12 000 000	GT 450.MS12	with 12-pin data slip ring max. 2A	7.49

Type:  
Material:

MS - with data slip ring  
Sheet steel

## HT 300K.MS12



- 12-pin data commutator ring for signal transmission
- junction box
- powder-coated sheet steel discs
- powder-coated steel carrying handle
- **core made of plastic**
- locking brake screw
- without cable
- **core width 141 mm**

Order No.	Item	Version	Weight (kg)
331 12 000 000	HT 300K.MS12	with 12-pin data slip ring max. 2A	4.27

## HT 305.MS12



- 12-pin data slip ring for signal transmission
- junction box
- powder-coated sheet steel discs
- powder-coated steel carrying handle
- **core made of plastic**
- locking brake screw
- without cable
- **core width 210 mm**

Order No.	Item	Version	Weight (kg)
338 12 000 000	HT 305.MS12	with 12-pin data slip ring max. 2A	4.66



Type:  
Material:

MS - with data slip ring  
Sheet steel

## HT 380.MS12



- 12-pin data slip ring for signal transmission
- junction box
- powder-coated sheet steel discs
- powder-coated steel carrying handle
- **core made of plastic**
- locking brake screw
- without cable
- **core width 141 mm**

Order No.	Item	Version	Weight (kg)
360 12 000 000	HT 380.MS12	with 12-pin data slip ring max. 2A	5.70

## HT 385.MS12



- 12-pin data slip ring for signal transmission
- junction box
- powder-coated sheet steel discs
- powder-coated steel carrying handle
- **core made of plastic**
- locking brake screw
- without cable
- **core width 210 mm**

Order No.	Item	Version	Weight (kg)
368 12 000 000	HT 385.MS12	with 12-pin data slip ring max. 2A	4.57

Type:  
Material:

MS - with data slip ring  
Sheet steel

## HT 480.MS12



- 12-pin data slip ring for signal transmission
- junction box
- powder-coated sheet steel discs
- powder-coated steel carrying handle
- **core made of plastic**
- locking brake screw
- without cable
- **core width 141 mm**

Order No.	Item	Version	Weight (kg)
370 12 000 000	HT 480.MS12	with 12-pin data slip ring max. 2A	4.47

## HT 485.MS12



- 12-pin data slip ring for signal transmission
- junction box
- powder-coated sheet steel discs
- powder-coated steel carrying handle
- **core made of plastic**
- locking brake screw
- without cable
- **core width 210 mm**

Order No.	Item	Version	Weight (kg)
376 12 001 000	HT 485.MS12	with 12-pin data slip ring max. 2A	8.14

Type:  
Material:

MS - with data slip ring  
Sheet steel

## HT 300K.MS18



- 18-pin data slip ring for signal transmission
- junction box
- powder-coated sheet steel discs
- powder-coated steel carrying handle
- **core made of plastic**
- locking brake screw
- without cable
- **core width 141 mm**

Order No.	Item	Version	Weight (kg)
331 81 000 000	HT 300K.MS18	with 18-pin data slip ring max. 2A	4.37

## HT 305.MS18



- 18-pin data slip ring for signal transmission
- junction box
- powder-coated sheet steel discs
- powder-coated steel carrying handle
- **core made of plastic**
- locking brake screw
- without cable
- **core width 210 mm**

Order No.	Item	Version	Weight (kg)
338 18 000 000	HT 305.MS18	with 18-pin data slip ring max. 2A	4.84

Type:  
Material:

MS - with data slip ring  
Sheet steel

## HT 385.MS18



- 18-pin data slip ring for signal transmission
- junction box
- powder-coated sheet steel discs
- powder-coated steel carrying handle
- **core made of plastic**
- locking brake screw
- without cable
- **core width 210 mm**

Order No.	Item	Version	Weight (kg)
368 18 000 000	HT 385.MS18	with 18-pin data slip ring max. 2A	4.57

## HT 485.MS18



- 18-pin data slip ring for signal transmission
- junction box
- powder-coated sheet steel discs
- powder-coated steel carrying handle
- **core made of plastic**
- locking brake screw
- without cable
- **core width 210 mm**

Order No.	Item	Version	Weight (kg)
376 18 001 000	HT 485.MS18	with 18-pin data slip ring max. 2A	8.32

Type:  
Material:

MS - with data slip ring  
Sheet steel

## HT 300K.MS24



- 24-pin data slip ring for signal transmission
- junction box
- powder-coated sheet steel discs
- powder-coated steel carrying handle
- **core made of plastic**
- locking brake screw
- without cable
- **core width 141 mm**

Order No.	Item	Version	Weight (kg)
331 42 000 000	HT 300K.MS24	with 24-pin data slip ring max. 2A	4.47

## HT 305.MS24



- 24-pin data slip ring for signal transmission
- junction box
- powder-coated sheet steel discs
- powder-coated steel carrying handle
- **core made of plastic**
- locking brake screw
- without cable
- **core width 210 mm**

Order No.	Item	Version	Weight (kg)
338 24 000 000	HT 305.MS24	with 24-pin data slip ring max. 2A	4.89

Type:  
Material:

MS - with data slip ring  
Sheet steel

## HT 380.MS24



- 24-pin data slip ring for signal transmission
- junction box
- powder-coated sheet steel discs
- powder-coated steel carrying handle
- **core made of plastic**
- locking brake screw
- without cable
- **core width 141 mm**

Order No.	Item	Version	Weight (kg)
360 24 000 000	HT 380.MS24	with 24-pin data slip ring max. 2A	3.82

## HT 385.MS24



- 24-pin data slip ring for signal transmission
- junction box
- powder-coated sheet steel discs
- powder-coated steel carrying handle
- **core made of plastic**
- locking brake screw
- without cable
- **core width 210 mm**

Order No.	Item	Version	Weight (kg)
368 24 000 000	HT 385.MS24	with 24-pin data slip ring max. 2A	4.12

Type:  
Material:

MS - with data slip ring  
Sheet steel

## HT 485.MS24



- 24-pin data slip ring for signal transmission
- junction box
- powder-coated sheet steel discs
- powder-coated steel carrying handle
- **core made of plastic**
- locking brake screw
- without cable
- **core width 210 mm**

Order No.	Item	Version	Weight (kg)
376 24 001 000	HT 485.MS24	with 24-pin data slip ring max. 2A	8.37

## Blind cover S0



The S0-cover is a blind cover for self-tooling. The cover is available in different sizes suitable for the drum types IT 266, GT 235 - GT 450, HT 380 - HT 582, IT 300K, IT 380, SK 380 - SK 450.

Order No.	Item	Version	Weight (kg)
51 430 000	AD 266.S0	for IT 266 + GT 235	0.09
51 460 000	AD KOMB.S0	for HT 380 - HT 582 + GT 310/IT 300K/IT 380	0.15
51 632 000	AD KOMB.380.S0	for GT 380 and SK 380	0.25
51 532 000	AD KOMB.450.S0	for GT 450 and SK 450	0.45

## Cover RM



The RM auxiliary reel is used in conjunction with the cable drum for storage and safe transport of all kind of cables, wires and hoses. The cover is available in different sizes and for the types IT 266, IT 300K, IT 380, GT 235 - GT 450, HT 380 - HT 582, SK 380 - SK 450.

Order No.	Item	Version	Weight (kg)
51 440 000	AD 266.RM	for IT 266 + GT 235	0.09
64 010 010	KOMB RM WITH LEATHER STRAP	for HT 380 - HT 582 + GT 310/IT 300K/IT 380	0.16
64 378 000	KOMB 380.RM-LEATHER STRAP	for GT 380 and SK 380	0.33
64 009 010	KOMB 450.RM WITH ANGLES	for GT 450 and SK 450	0,45



## Cover MFK



The MFK cover with the lockable multifunctional latching door ensure optimal protection of your high quality cable connectors. The door allows you to store cable connectors inside the drum. The cover is available in different sizes and suitable for the types GT 310 - GT 450, IT 300K, IT 380, HT 380 - HT 582, SK 380 - SK 450.

Order No.	Item	Version	Weight (kg)
64 000 000	KOMB.310.MFK	for HT 380 - HT 582 + GT 310/IT 300K/IT 380	0.22
64 003 000	KOMB.380.MFK	for GT 380 and SK 380	0.31
64 005 000	KOMB.450.MFK	for GT 450 and SK 450	0,45

## Cover RMFK



The RMFK cover with the lockable multifunctional latching door and RM-auxiliary spool ensure optimal protection of your high quality cable connectors. The door allows you to store cable connectors inside drum to prevent damage to your valuable connectors during rolling up an of the cable drum. The cover is available in the different sizes and suitable for the types GT 380 - GT 450, SK 380- SK 450.

Order No.	Item	Version	Weight (kg)
64 007 000	KOMB.380.RMFK	for GT 380 and SK 380	0.31
64 008 000	KOMB.450.RMFK	for GT 450 and SK 450	0.45

## Travelling unit for GT 380 - GT 450

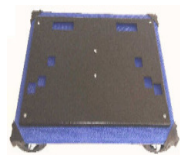


**A convenient accessory for applications in a variety of locations. Comfortable handling, sturdy construction.**

Upgrade attachment kit made from plastic high shock resistance and steel pipe handle. With height-adjustable steel tube handle. With 2 polyamide wheels,  $\varnothing$  140 mm. Easy mounting on drum handle, stable and safe transport.

Order No.	Item	Version	Weight (kg)
397 00 010 000	Travelling unit	for GT 380 and GT 450	2.50

## Transport trolley for the SK 310 - SK 450 series



**A practical accessory for use in all kinds of places.**

With 4 steerable rollers, wheel diameter 125 mm, solid rubber tyres. Corners of the plate protected, fits for the SK 310-450.

Order No.	Item	Version	Weight (kg)
405 99 000 000	TW SK-310-380-450	without brake	10.80

## Transport trolley for the SK 46 serie



### A convenient accessory for applications in a variety of locations.

Comfortable handling, sturdy construction made of angle iron with black powder-coated surface, particularly impact and abrasion proof. With 2 control rollers and 2 fixed castors for heavy loads, solid rubber tyres, wheel diameter 100 mm, model S features brake (2 wheels with stop-fix).

Order No.	Item	Version	Weight (kg)
410 99 000 000	TW 4600	without brake	7.80
410 99 001 000	TW 4600.S	with brake	7.80
410 99 100 000	TW 4600B	wide	8.50
410 99 101 000	TW 4600B.S	wide, with brake	8.50
411 99 000 000	TW 4601	without brake	8.30
411 99 001 000	TW 4601.S	with brake	8.30
411 99 100 000	TW 4601B	wide	8.60
411 99 101 000	TW 4601B.S	wide, with brake	8.60
412 99 000 000	TW 4602	without brake	8.90
412 99 001 000	TW 4602.S	with brake	8.90
412 99 100 000	TW 4602B	wide	9.20
412 99 101 000	TW 4602B.S	wide, with brake	9.20

## Transport trolley for the SK 47 / SK 48 series



### A convenient accessory for applications in a variety of locations.

Comfortable handling, sturdy construction made of angle iron with black powder-coated surface, particularly impact and abrasion proof. With 2 control rollers and 2 fixed castors for heavy loads, solid rubber tyres, wheel diameter 100 mm, model S features brake (2 wheels with stop-fix).

Order No.	Item	Version	Weight (kg)
432 99 000 000	TW 4700/4822	without brake	10.00
432 99 001 000	TW 4700/4822.S	with brake	10.00
433 99 000 000	TW 4701/4823	without brake	11.00
433 99 001 000	TW 4701/4823.S	with brake	11.00

## Transport trolley custom-made product



On request special transport trolleys for SL, SK and PL can be manufactured. Transport trolley made of metal, 2 swivel castors and 2 fixed castors, with brake.

## Travelling column unit for HT 380 - HT 582



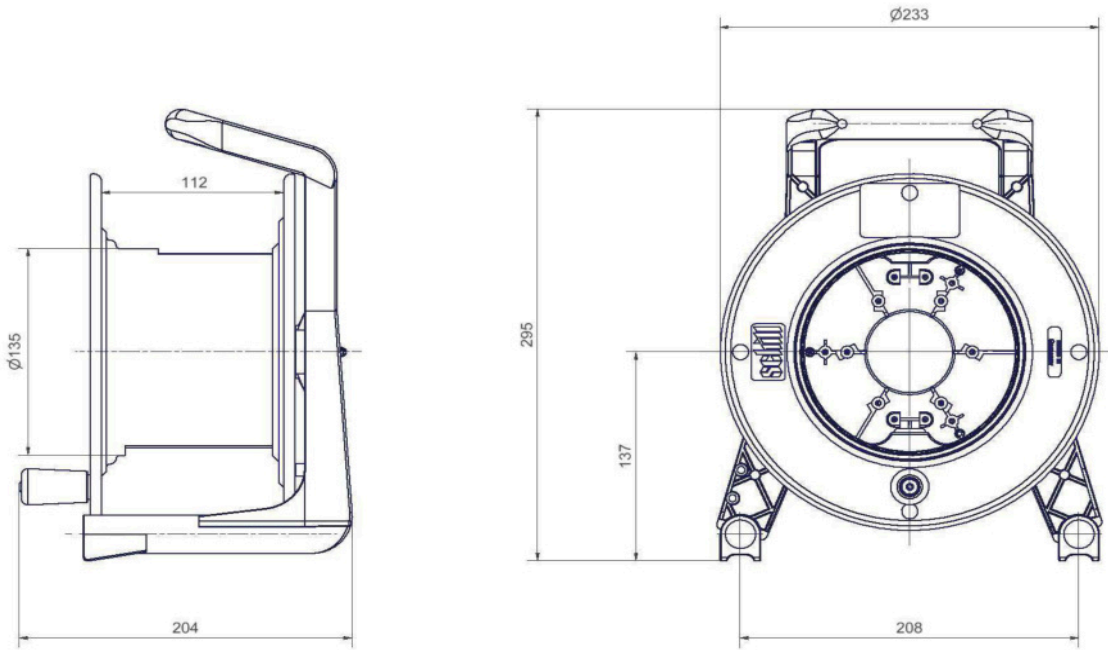
**A convenient accessory for applications in a variety of locations. Comfortable handling, sturdy construction.**

Upgrade, separate travelling column unit features a steel pipe, black powder-coated with a particularly impact and abrasion resistant surface. With two solid rubber wheels Ø 140 mm. The handle straps of the cable drums are simply hooked into the angle on the skid pipe and are self-centring. Perfectly safe transportation.

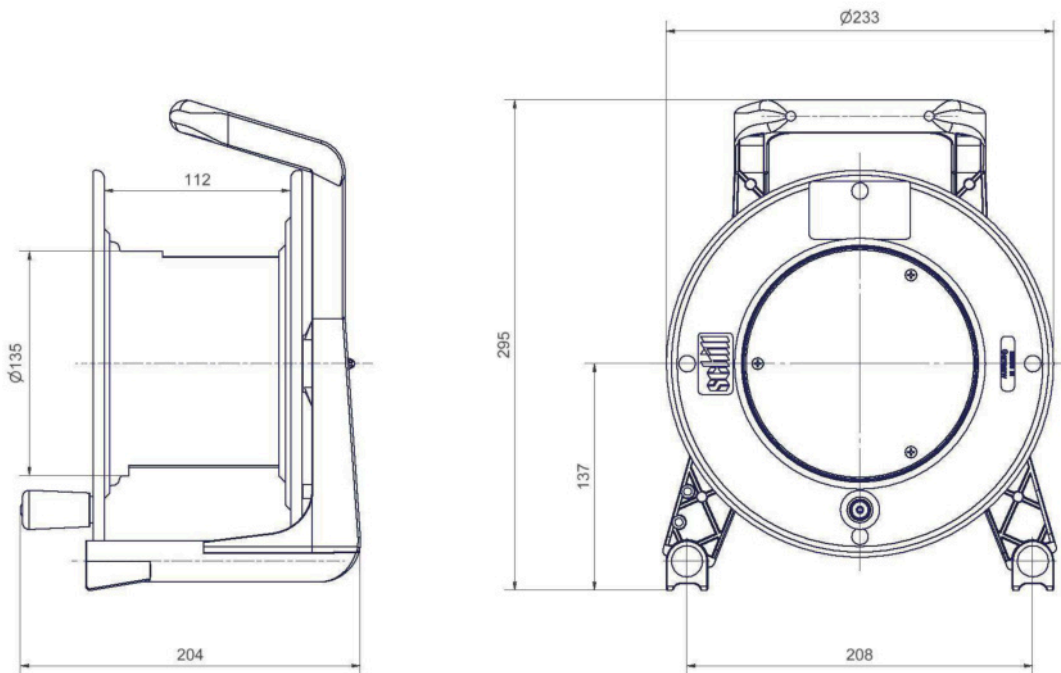
Order No.	Item	Version	Weight (kg)
397 00 000 000	Travelling column unit	for HT 380 - HT 582	4.00

# Drum dimensions

## GT 235.OPEN

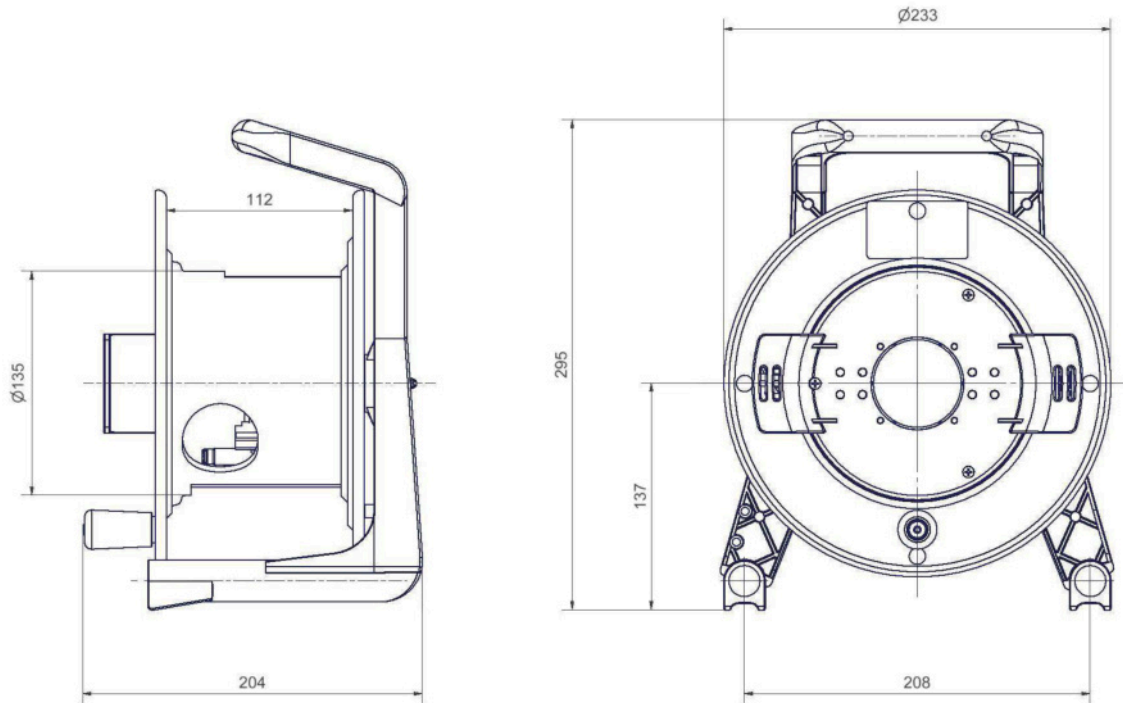


## GT 235.S0

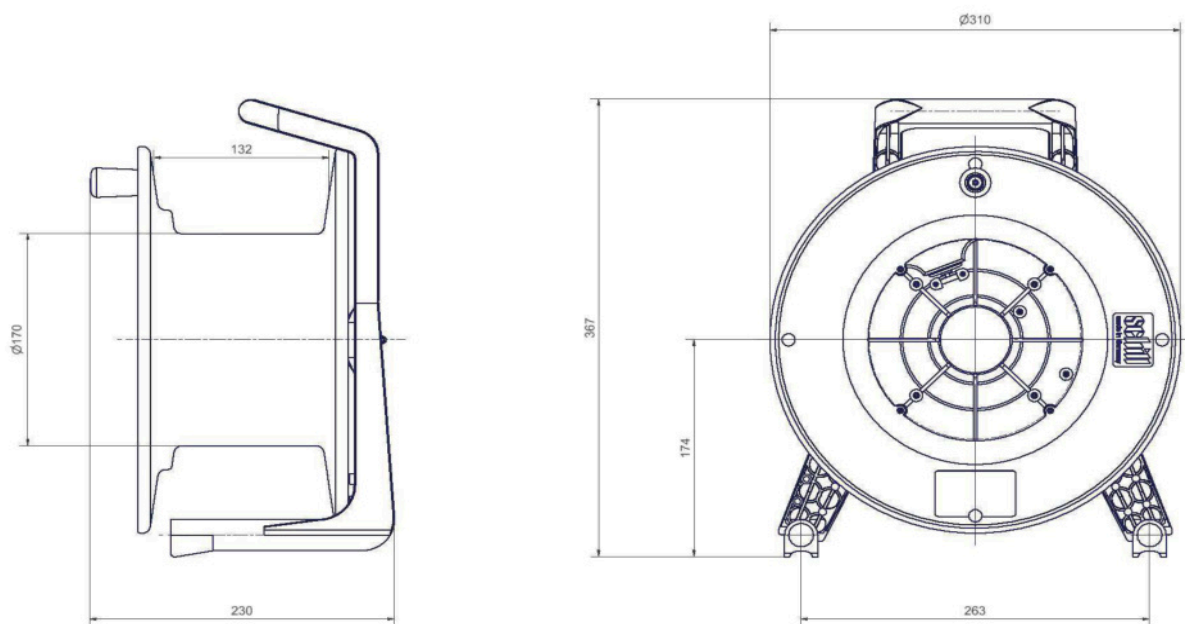


# Drum dimensions

## GT 235.RM

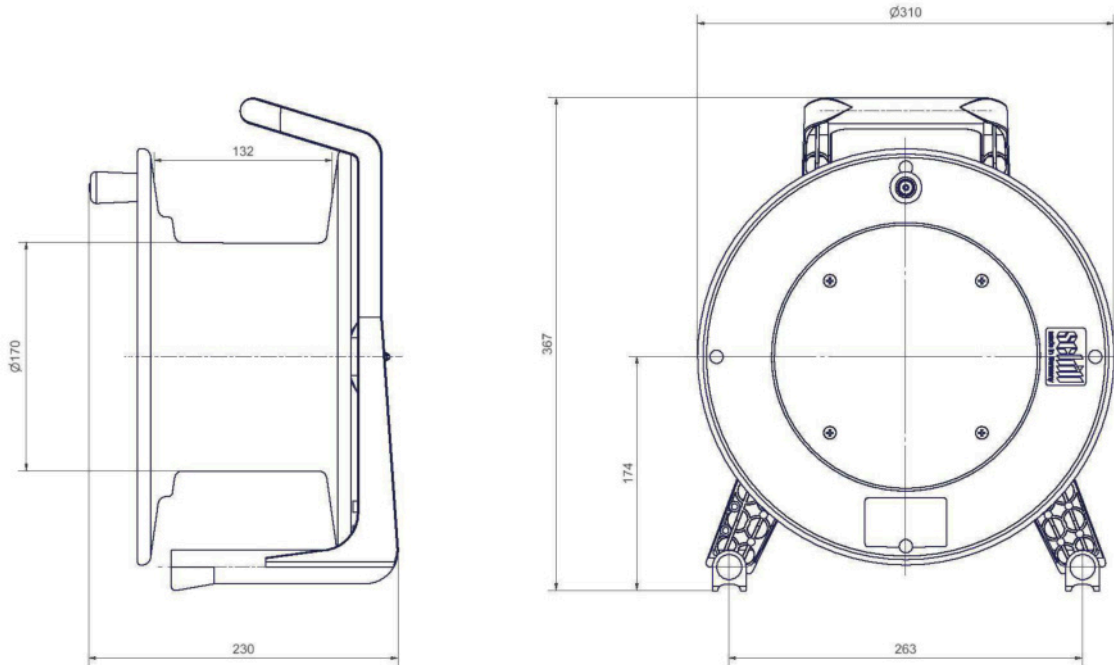


## GT 310.OPEN

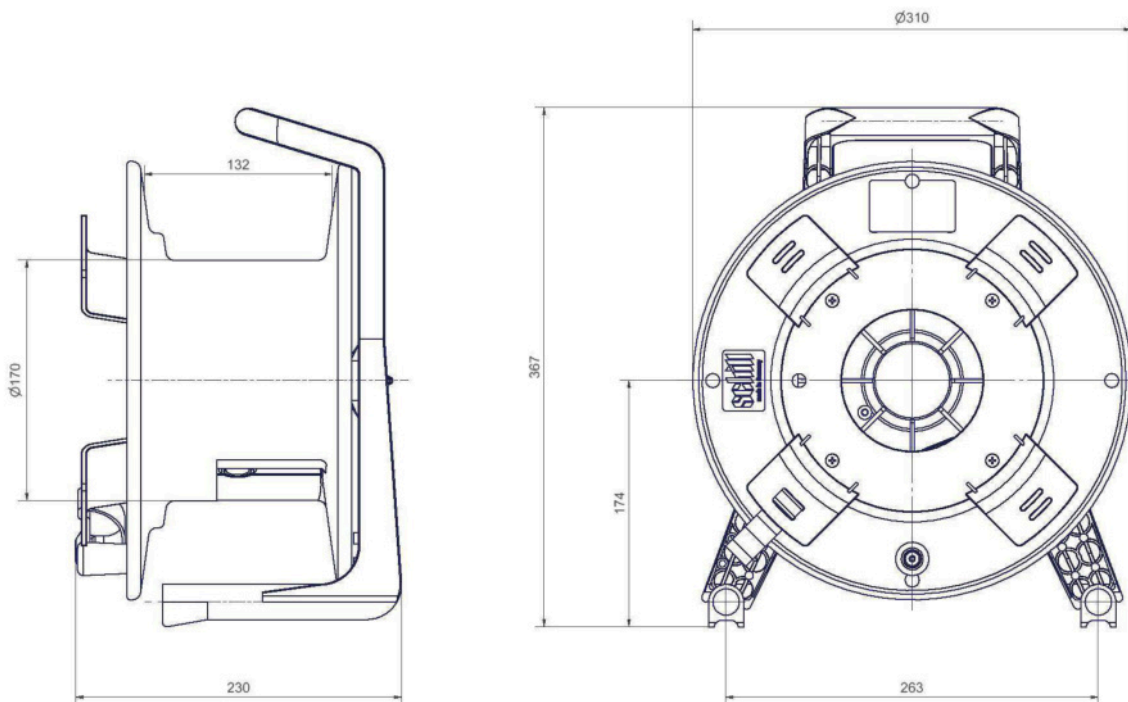


# Drum dimensions

## GT 310.S0



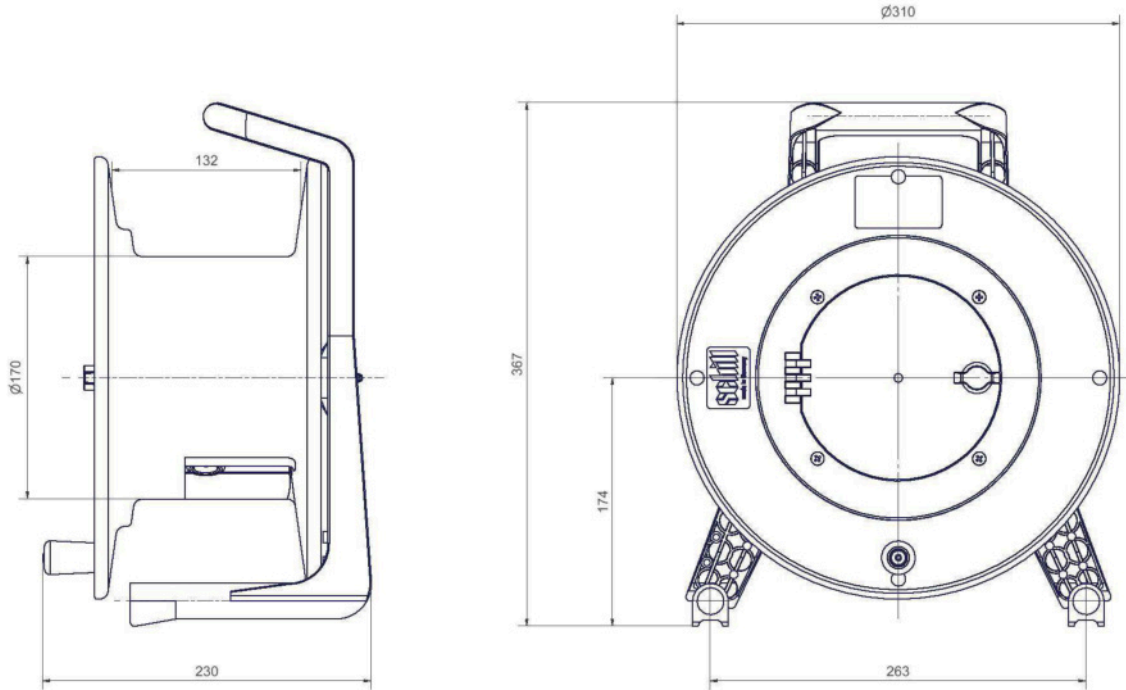
## GT 310.RM



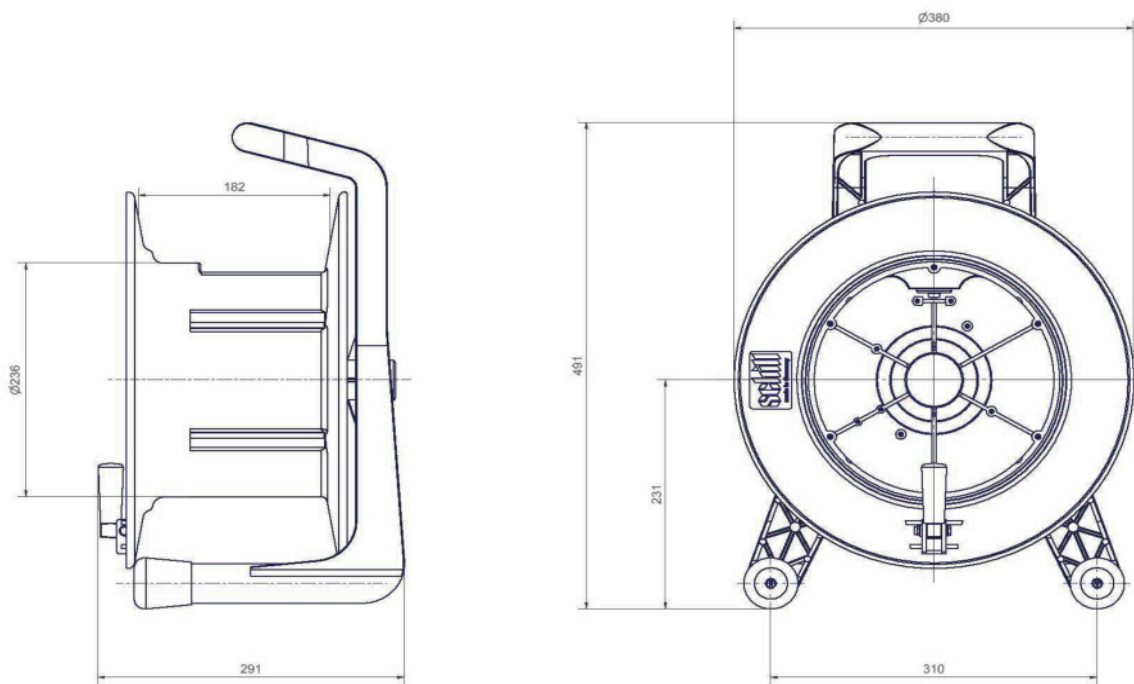


# Drum dimensions

## GT 310.MFK

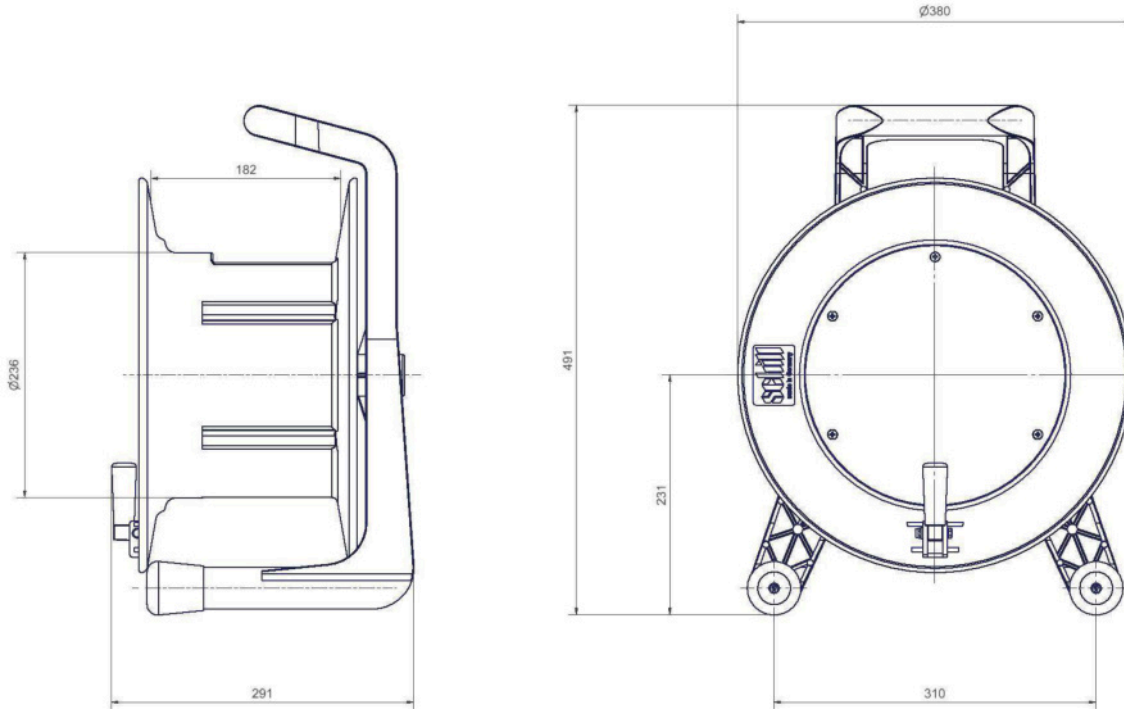


## GT 380.OPEN

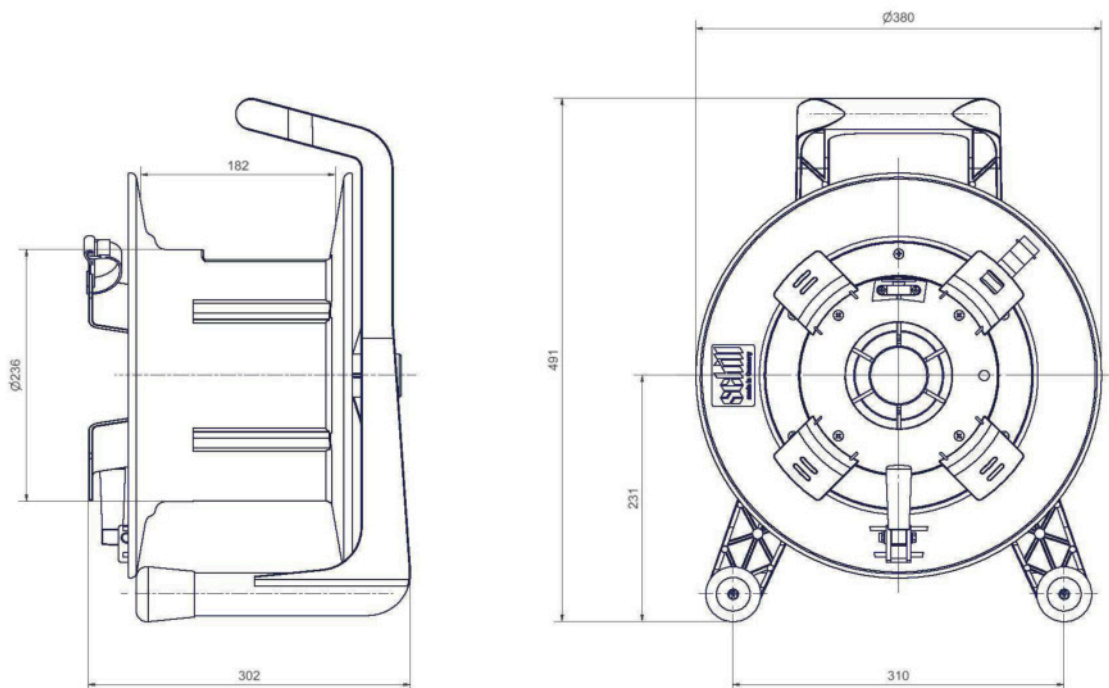


# Drum dimensions

## GT 380.S0

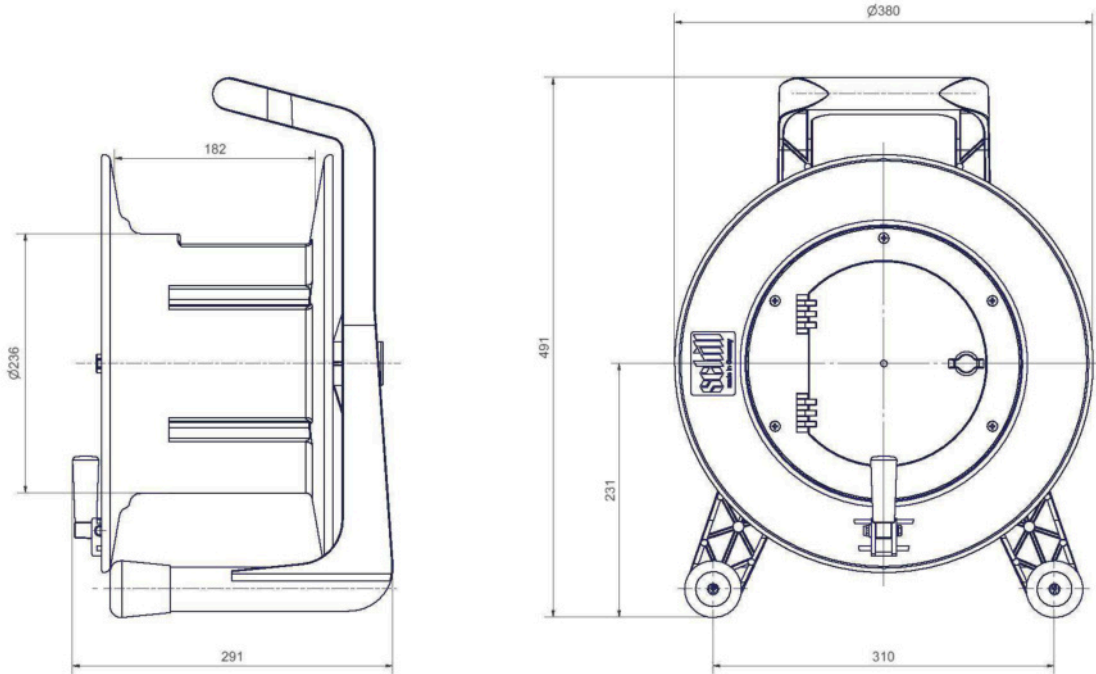


## GT 380.RM

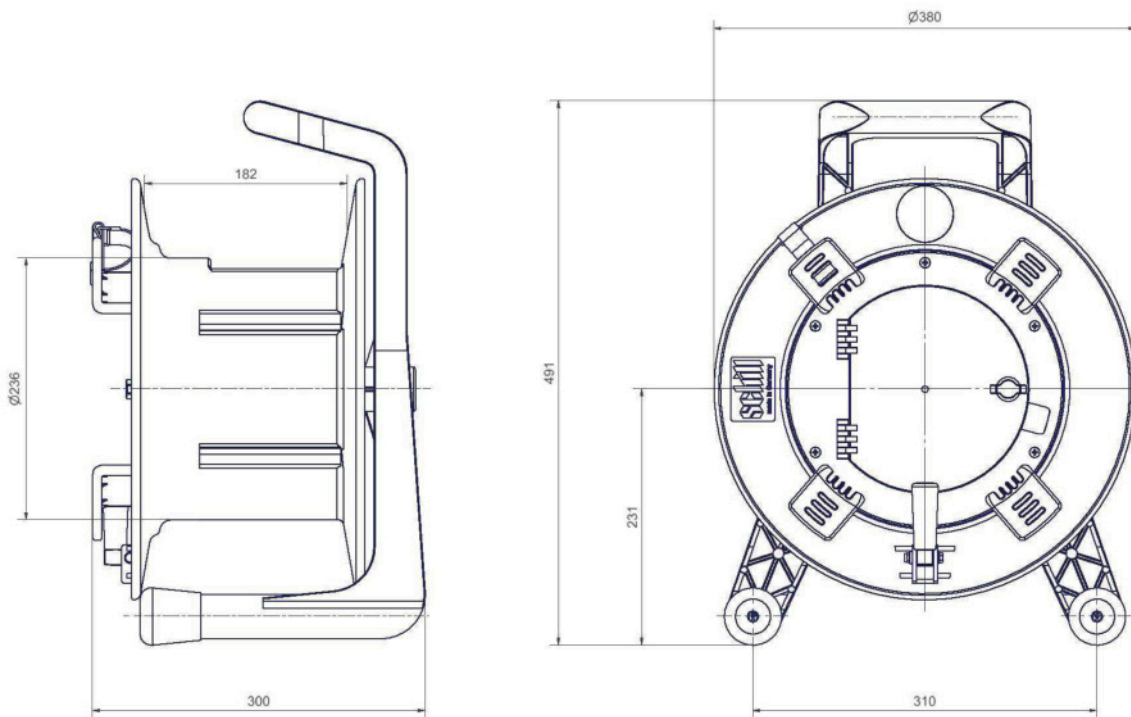


# Drum dimensions

## GT 380.MFK

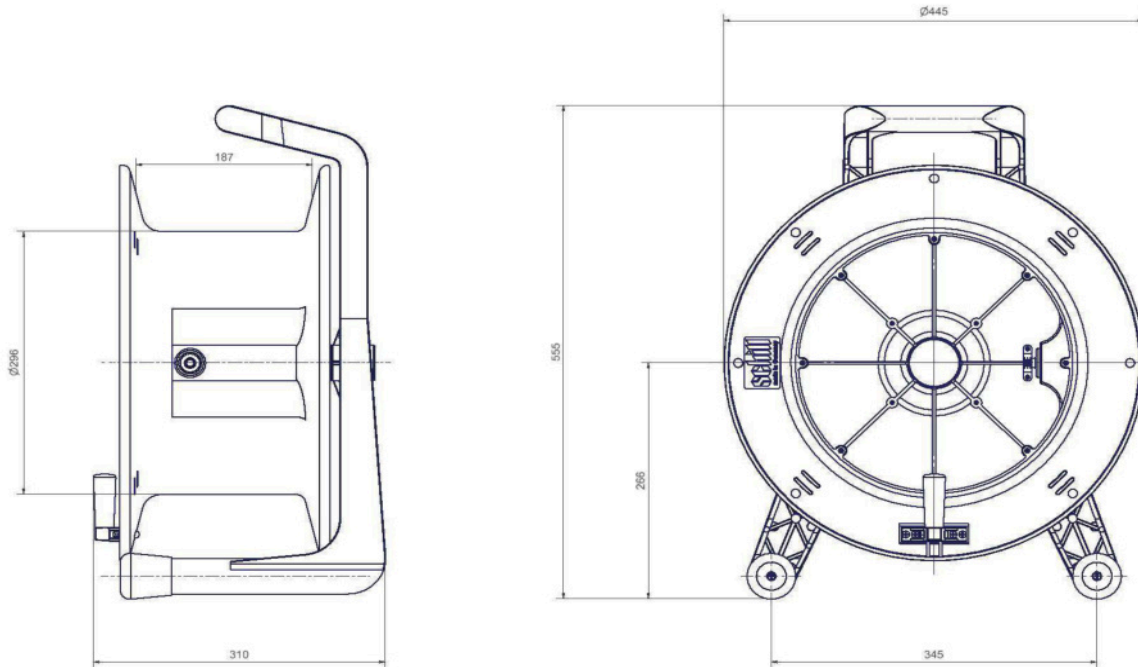


## GT 380.RMFK

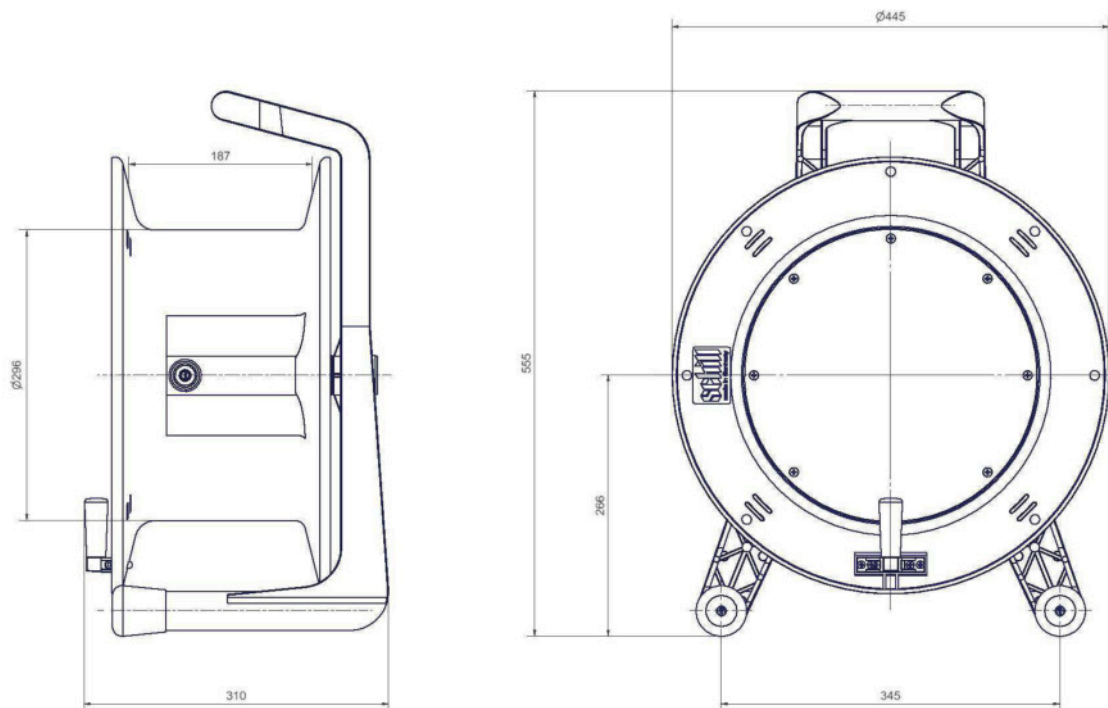


# Drum dimensions

## GT 450.OPEN

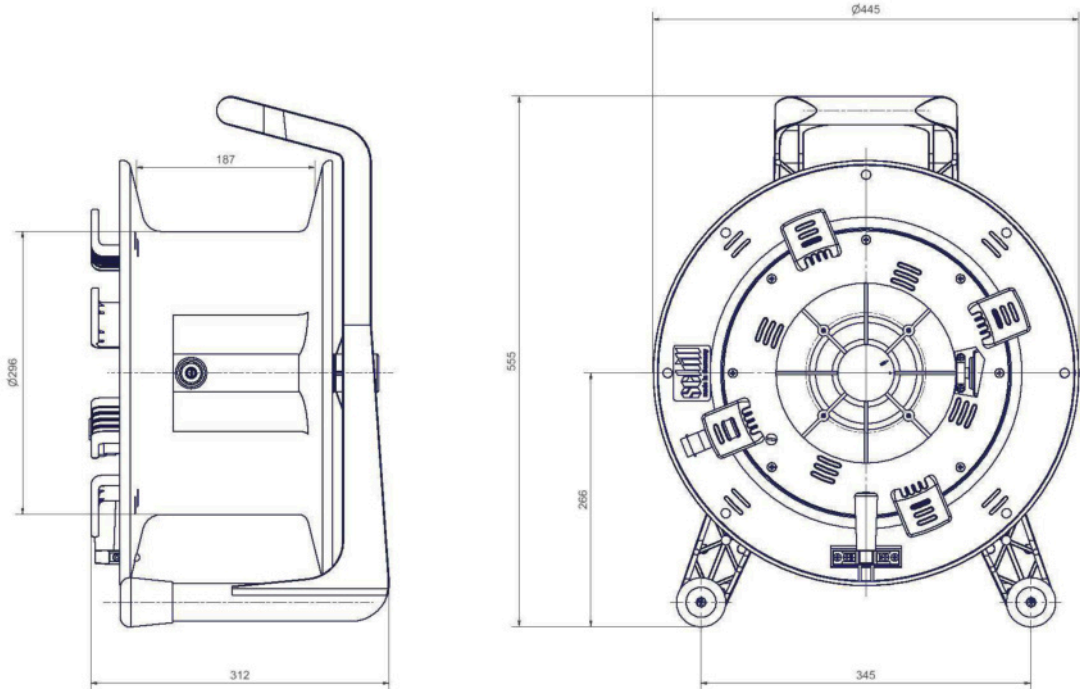


## GT 450.S0

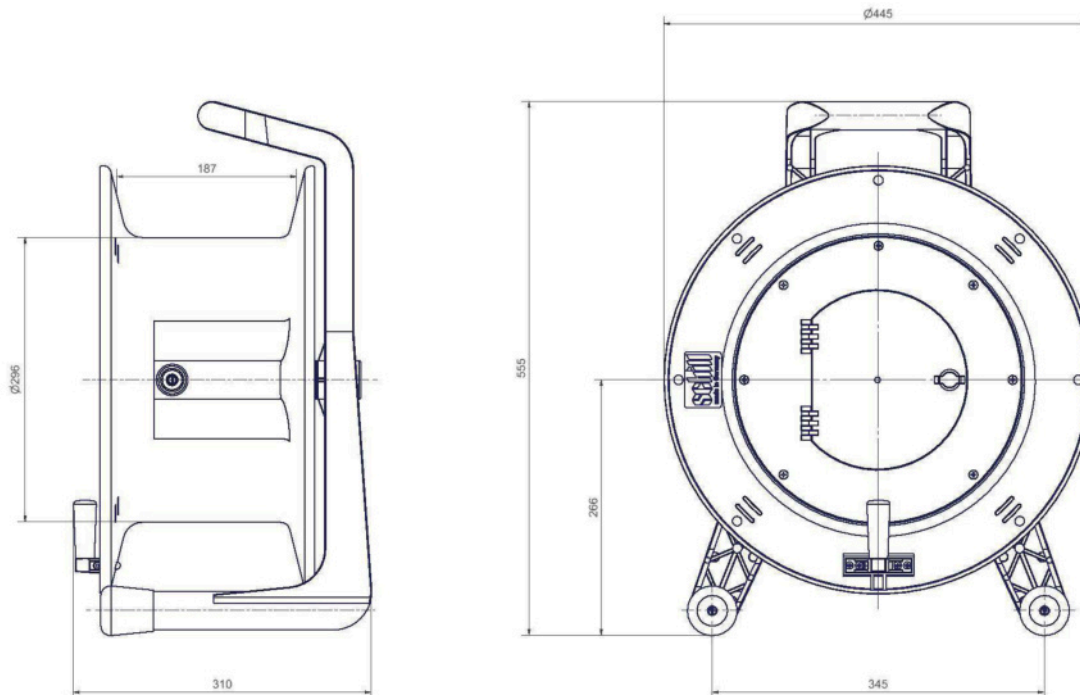


# Drum dimensions

## GT 450.RM

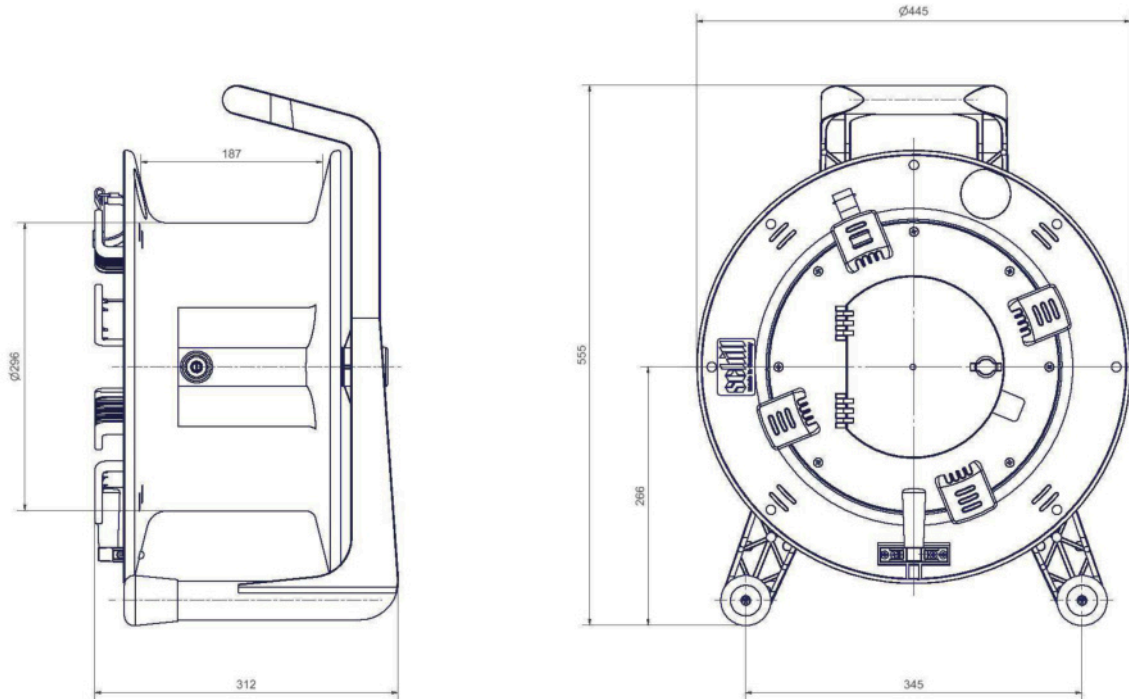


## GT 450.MFK

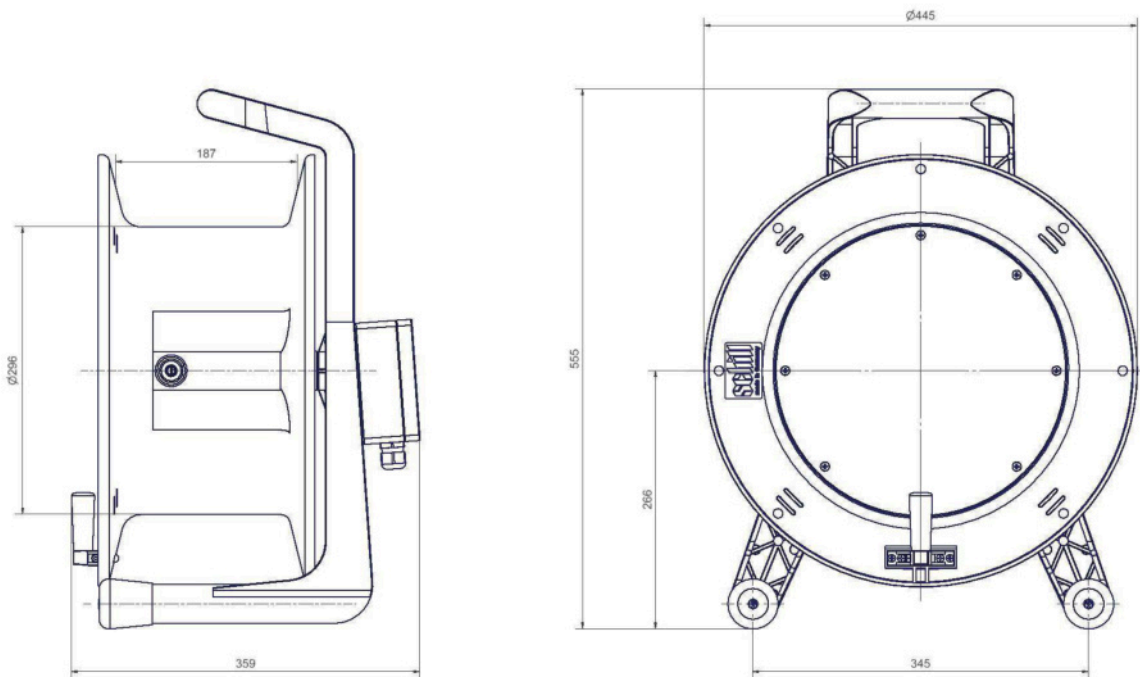


# Drum dimensions

## GT 450.RMFK

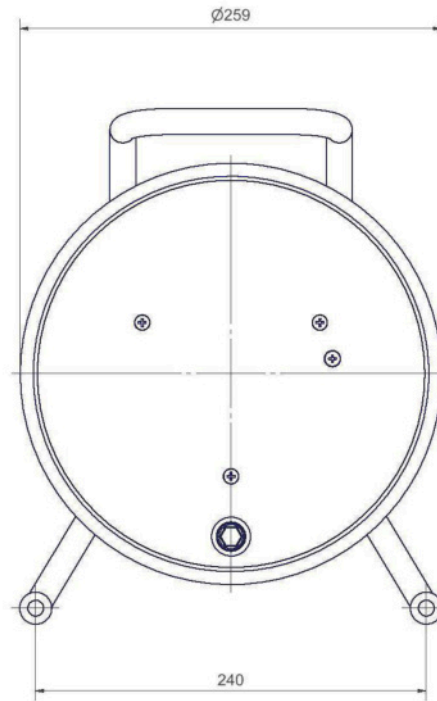
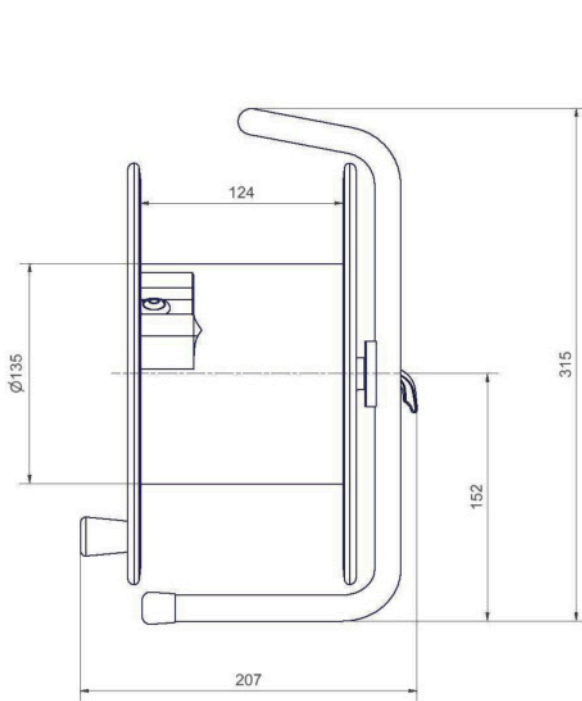


## GT 450.MS6 + GT 450.MS12

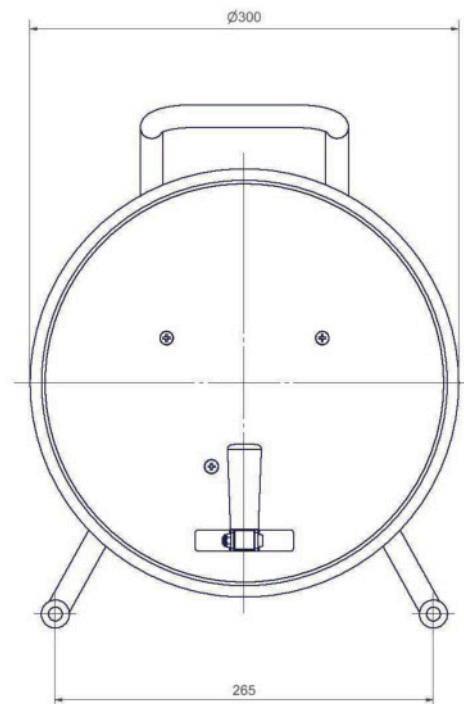
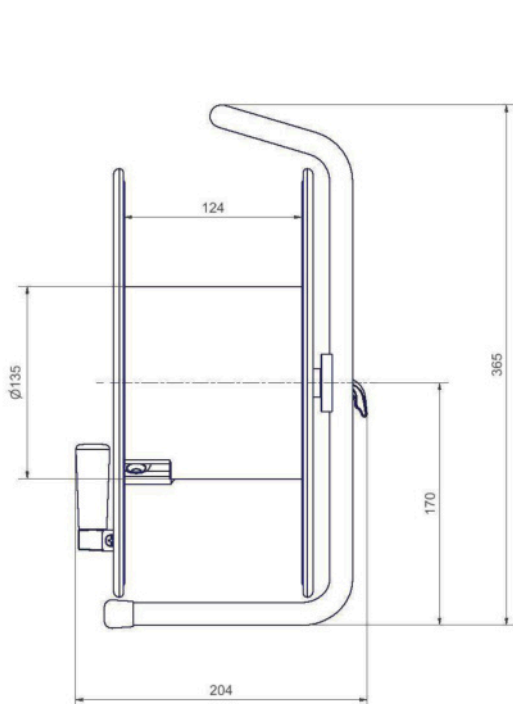


# Drum dimensions

## HT 260.50

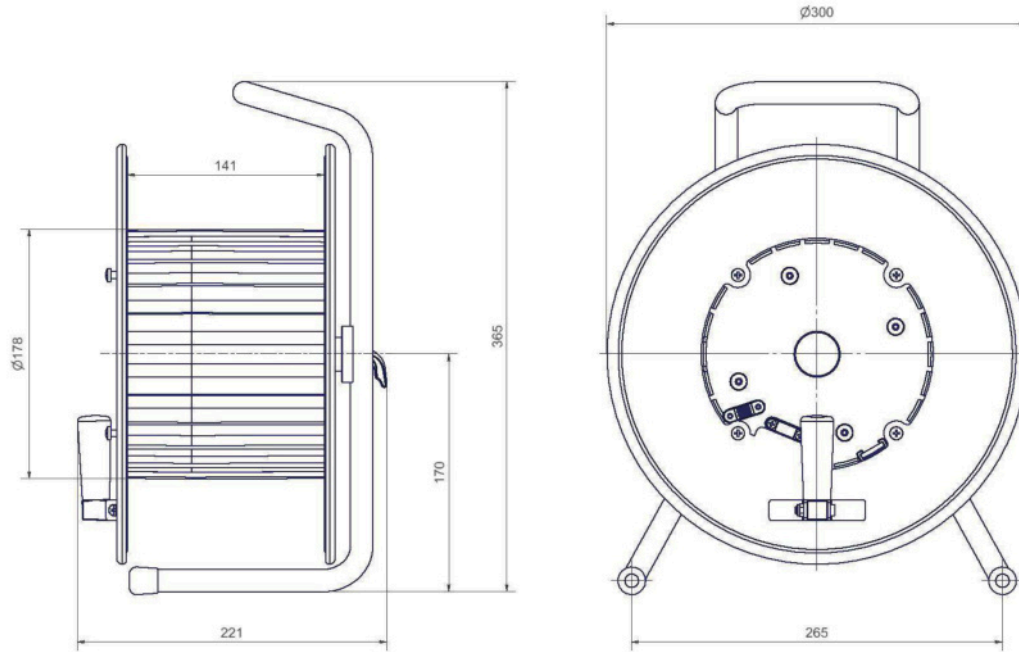


## HT 300.50

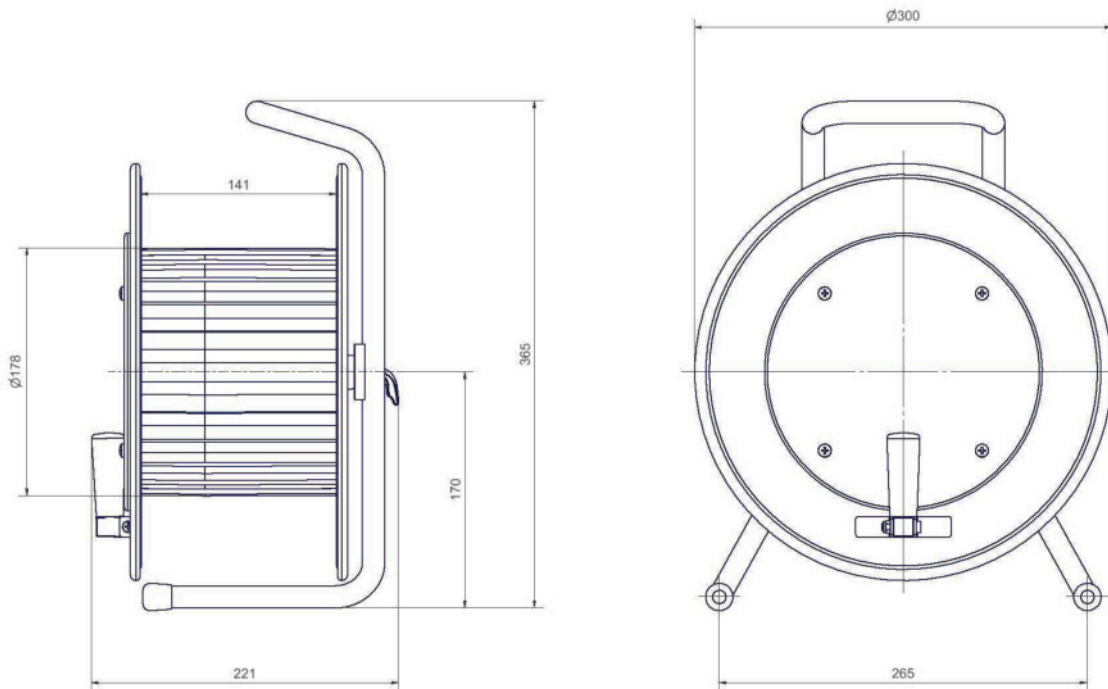


# Drum dimensions

## HT 300K.OPEN



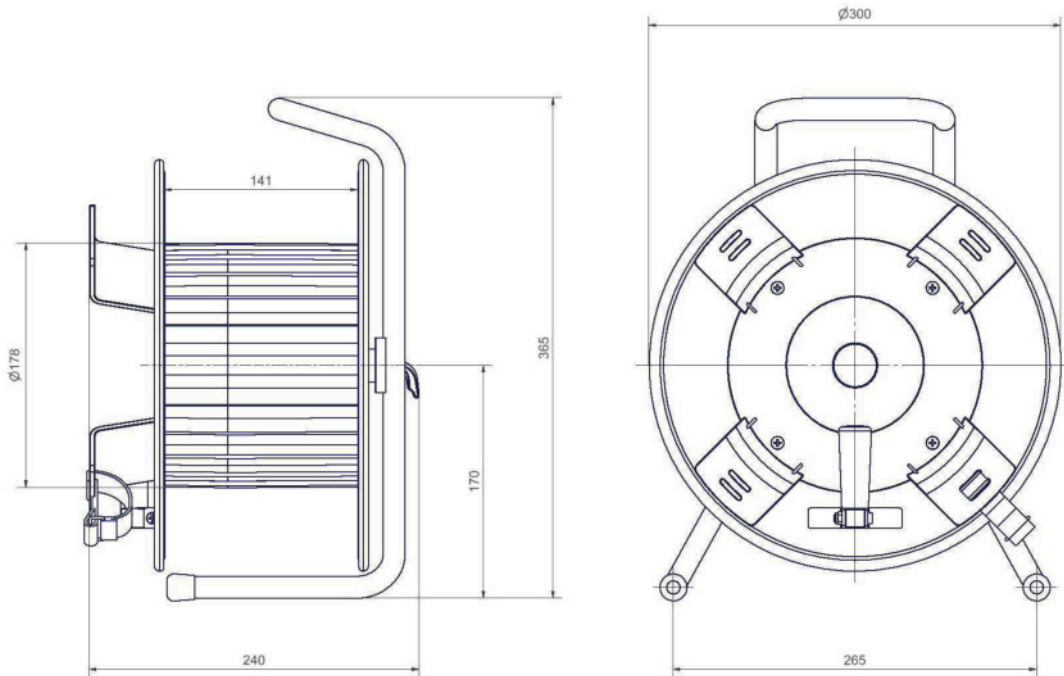
## HT 300K.S0



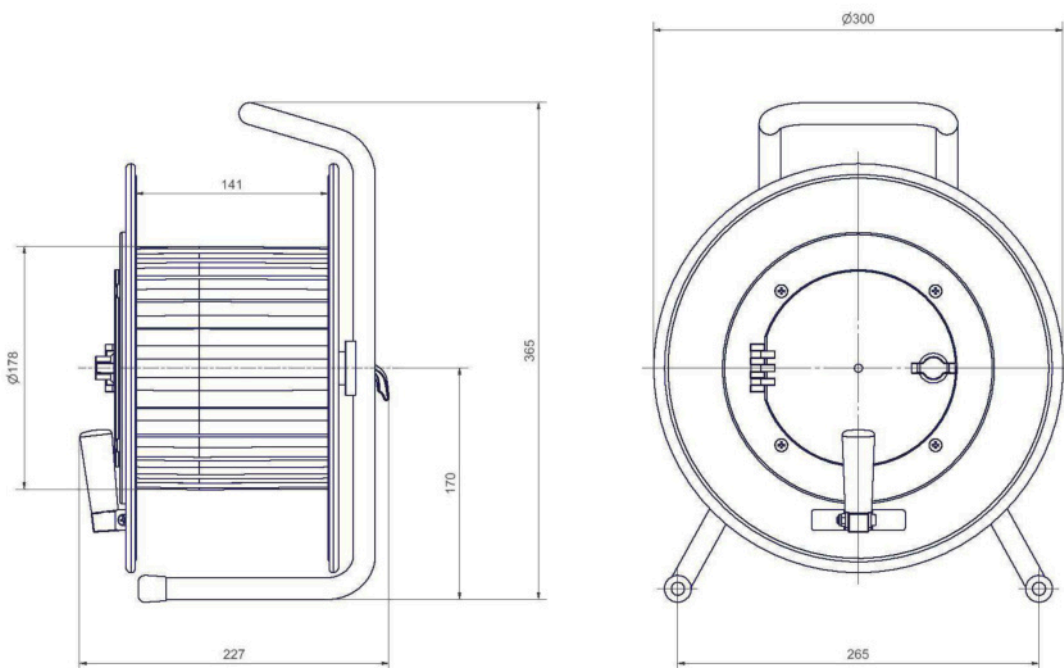


# Drum dimensions

## HT 300K.RM

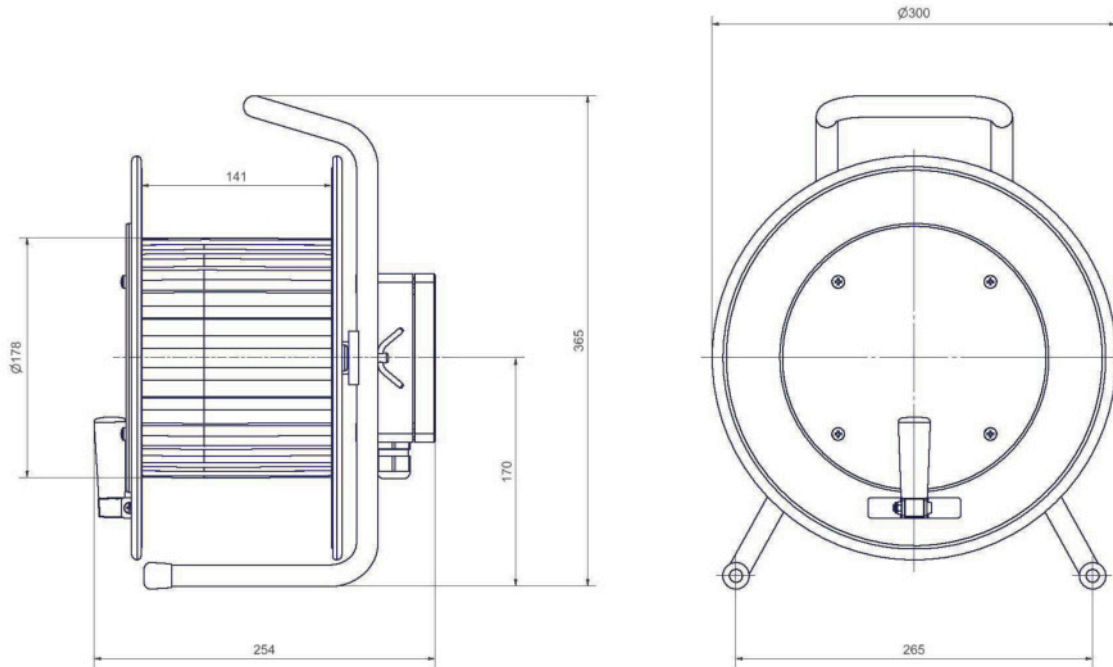


## HT 300K.MFK

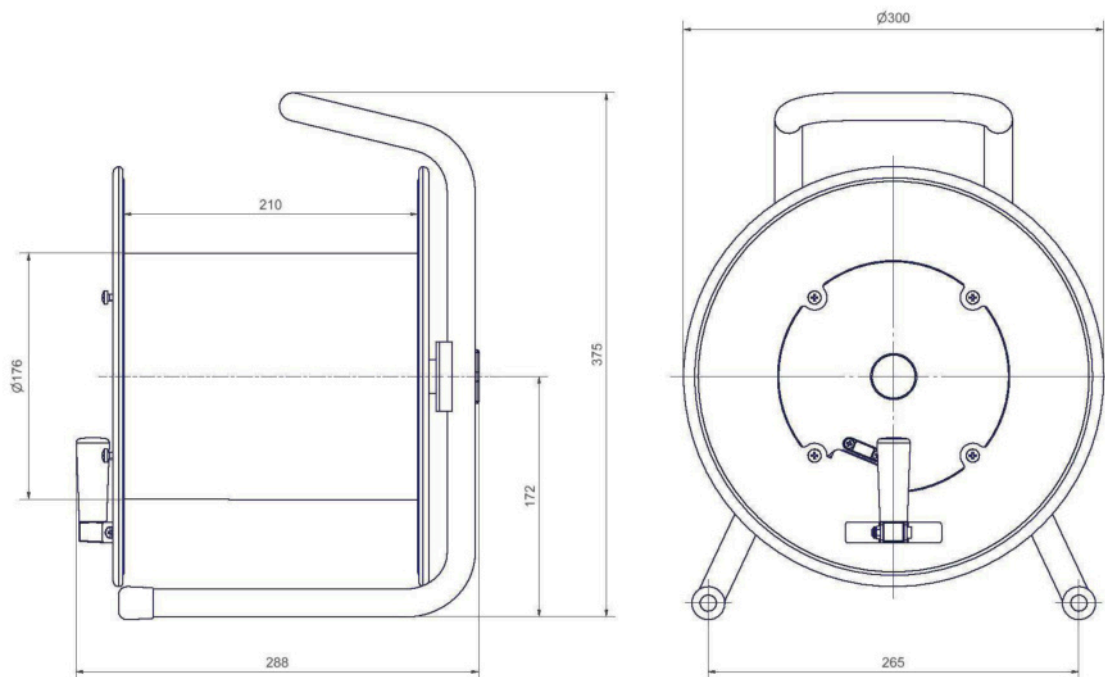


# Drum dimensions

## HT 300K.MS6 + HT 300K.MS12 + HT 300K.MS18 + HT 300K.MS24

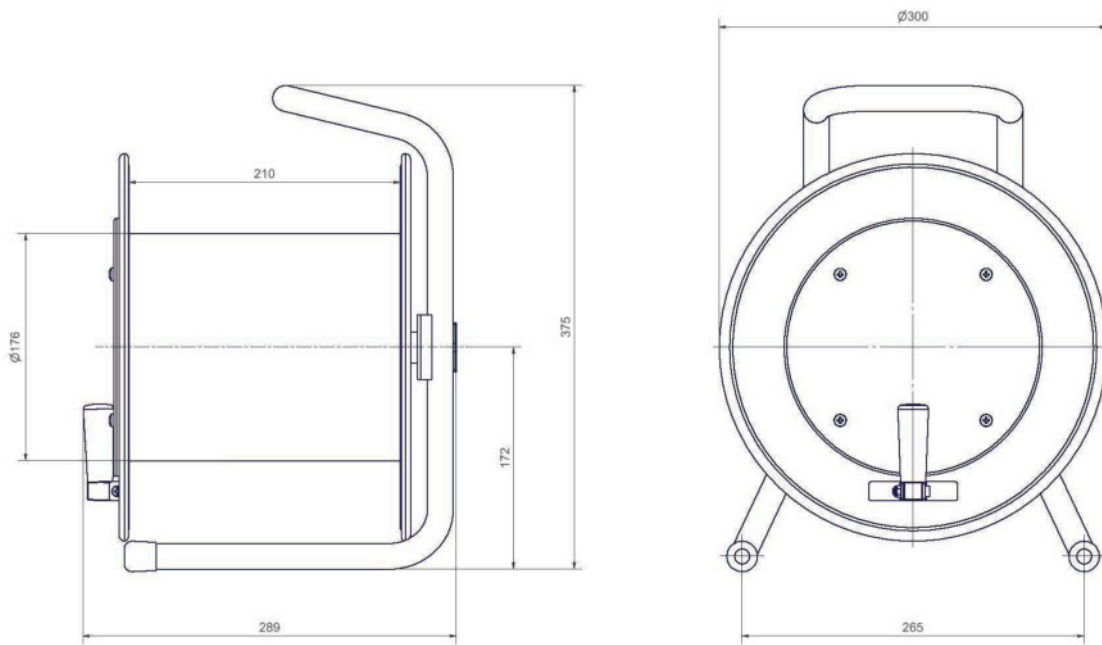


## HT 305.OPEN

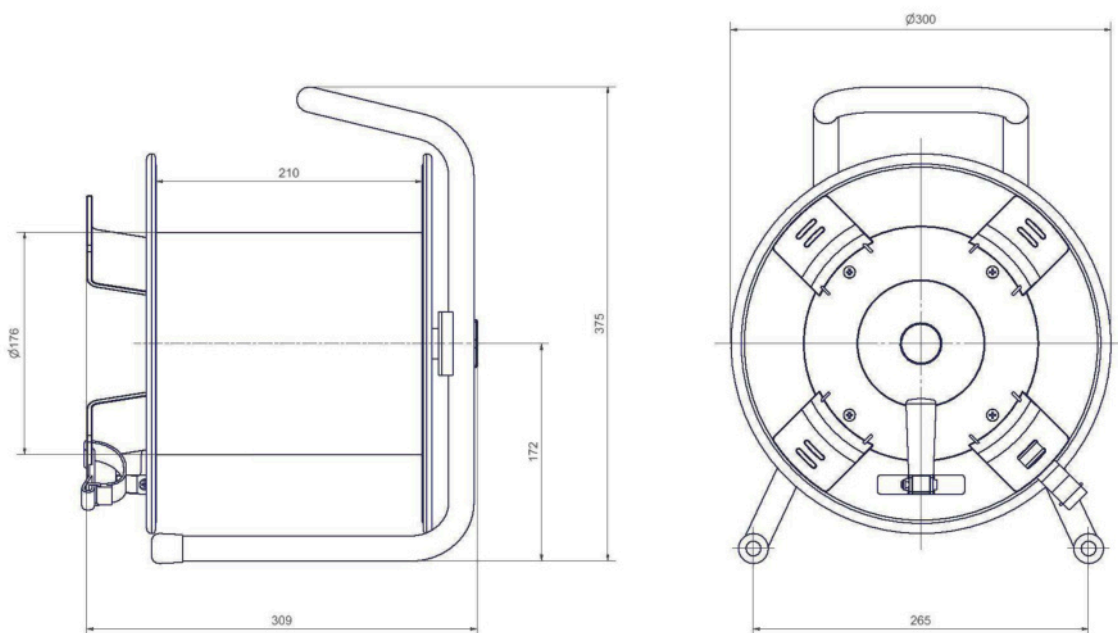


# Drum dimensions

## HT 305.S0

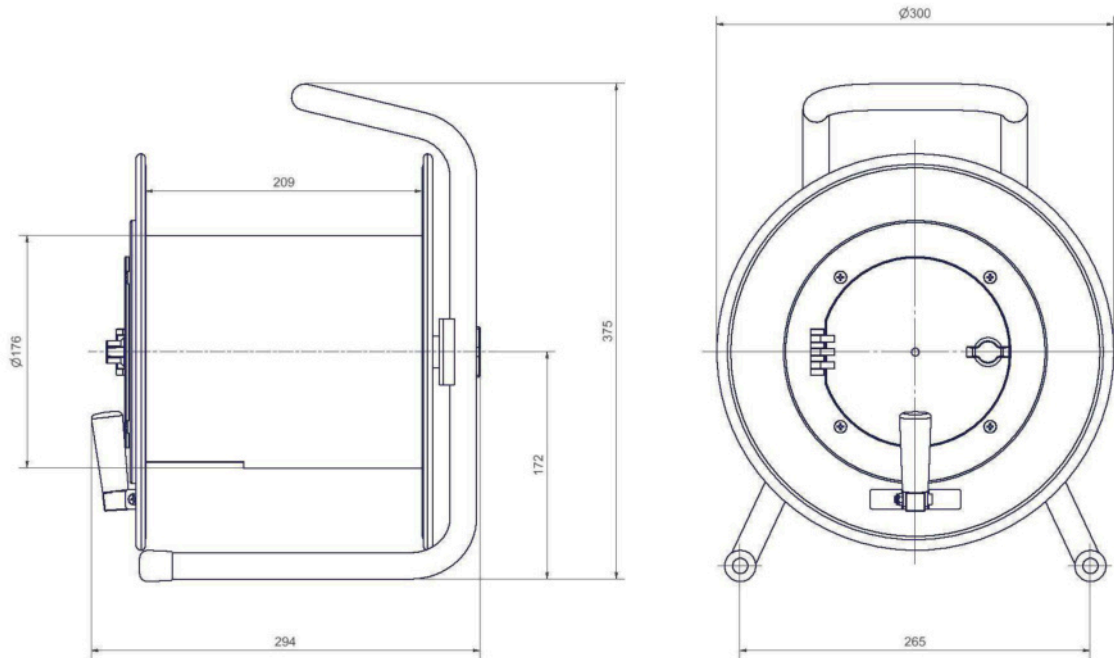


## HT 305.RM

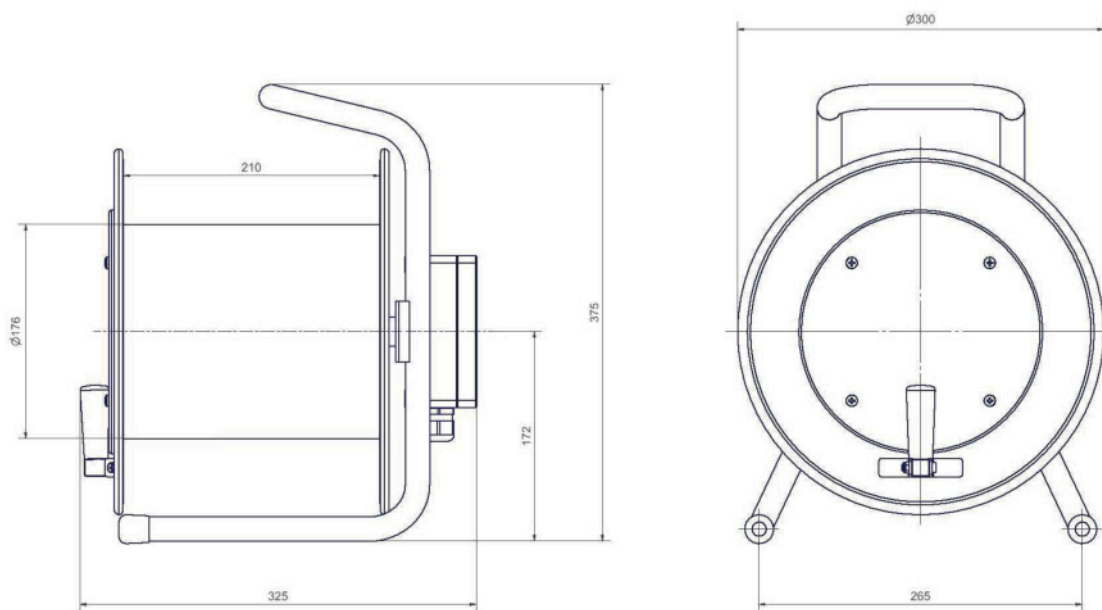


# Drum dimensions

## HT 305.MFK

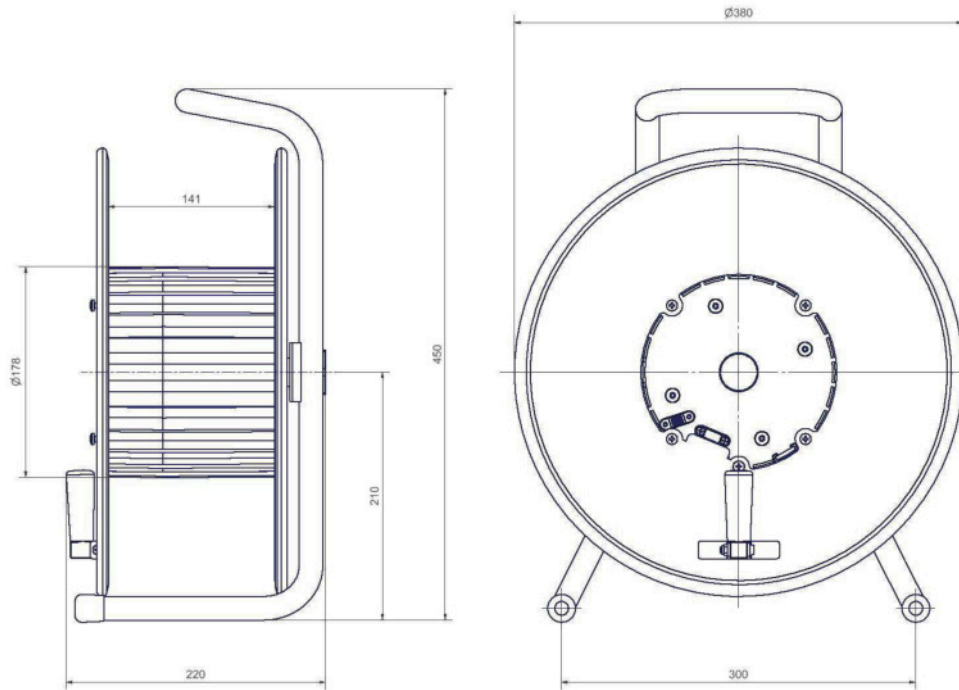


## HT 305.MS6 + HT 305.MS12 + HT 305.MS18 + HT 305.MS24

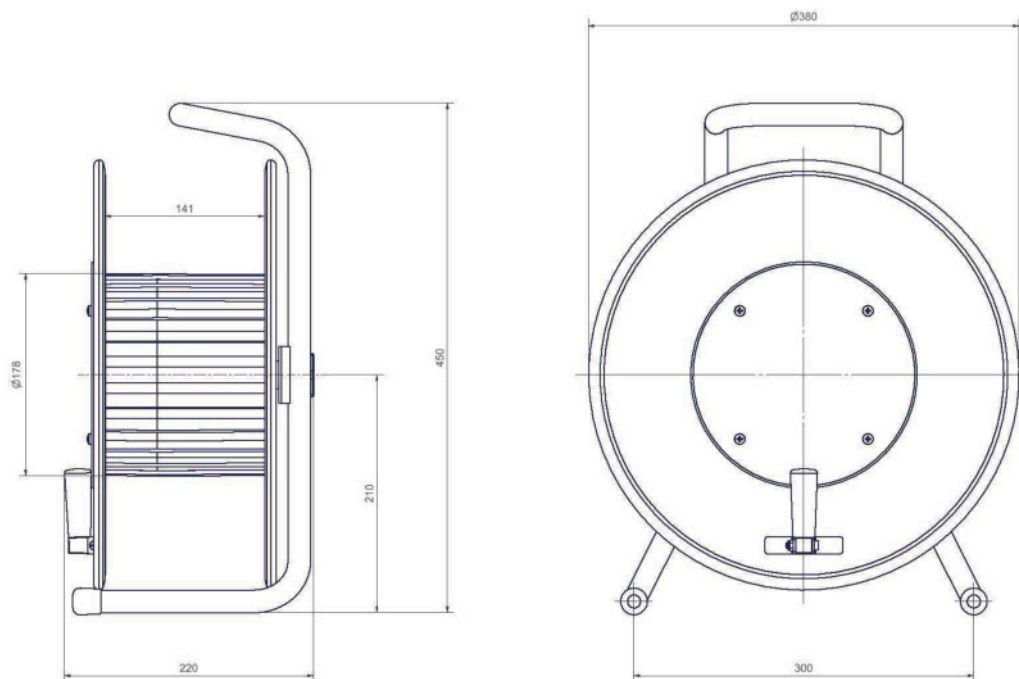


# Drum dimensions

## HT 380.OPEN

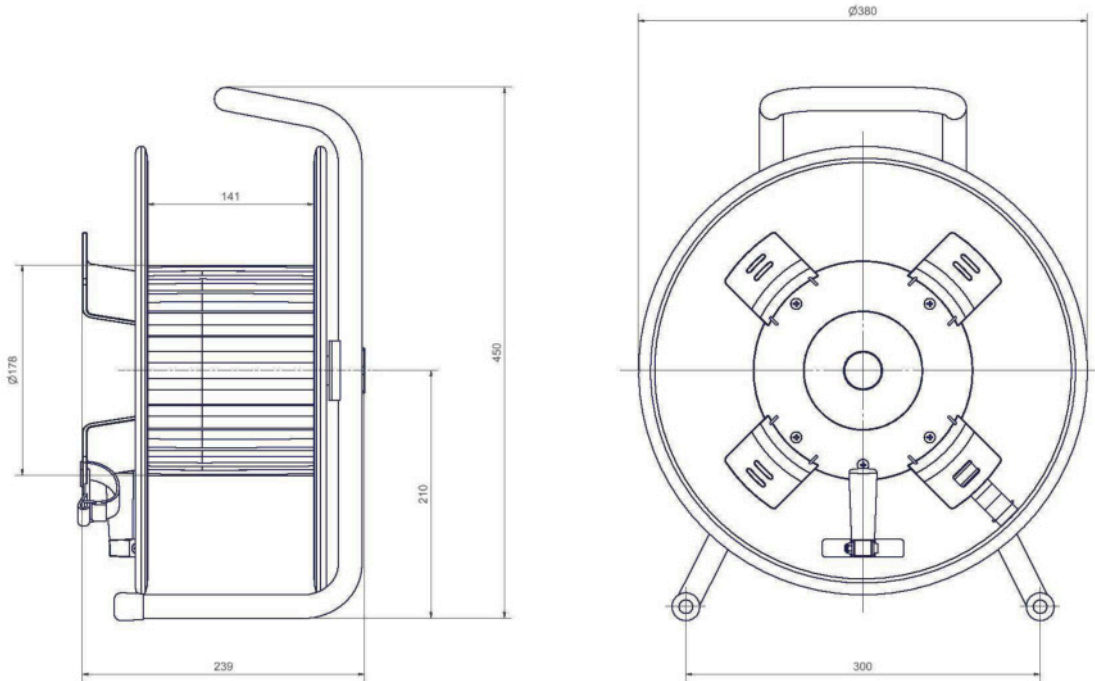


## HT 380.S0

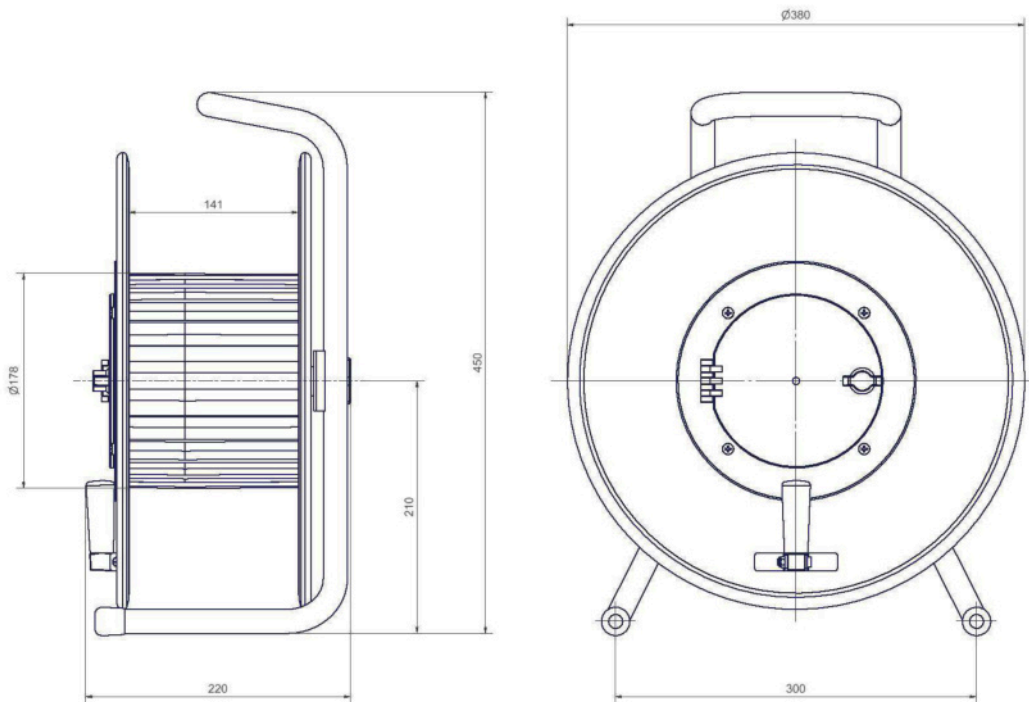


# Drum dimensions

## HT 380.RM

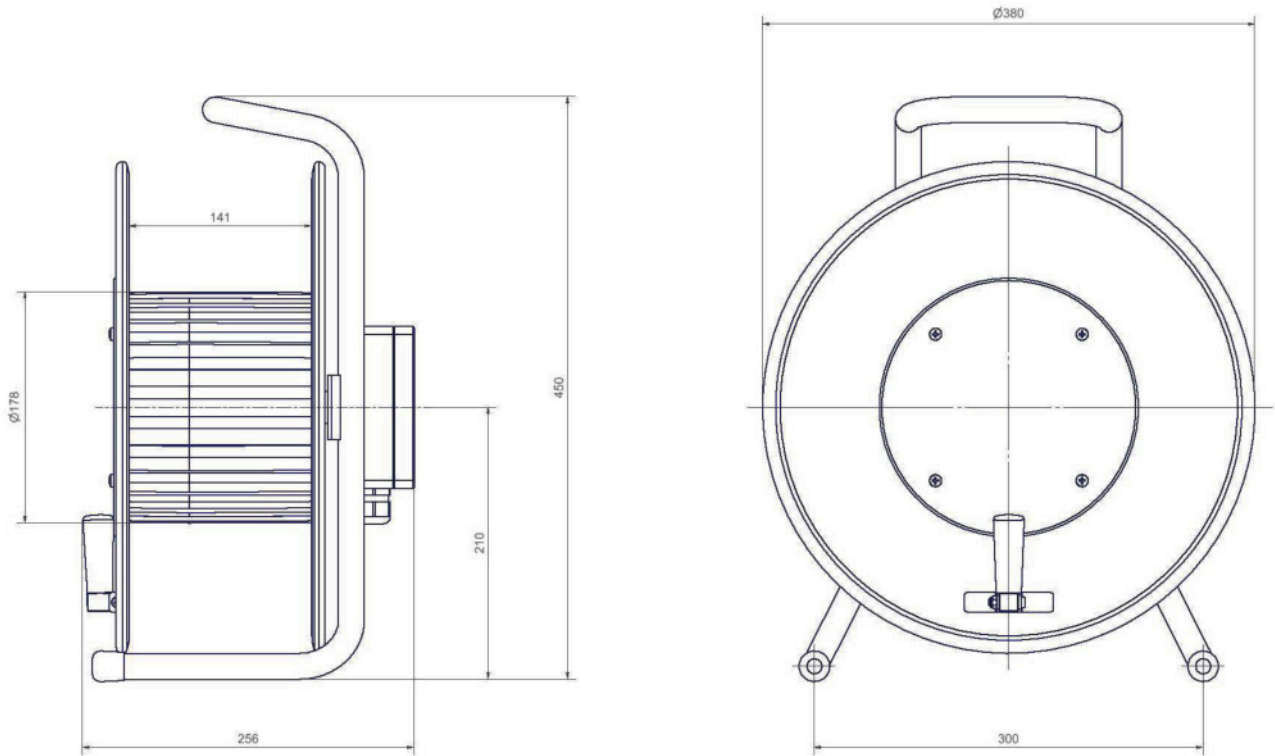


## HT 380.MFK

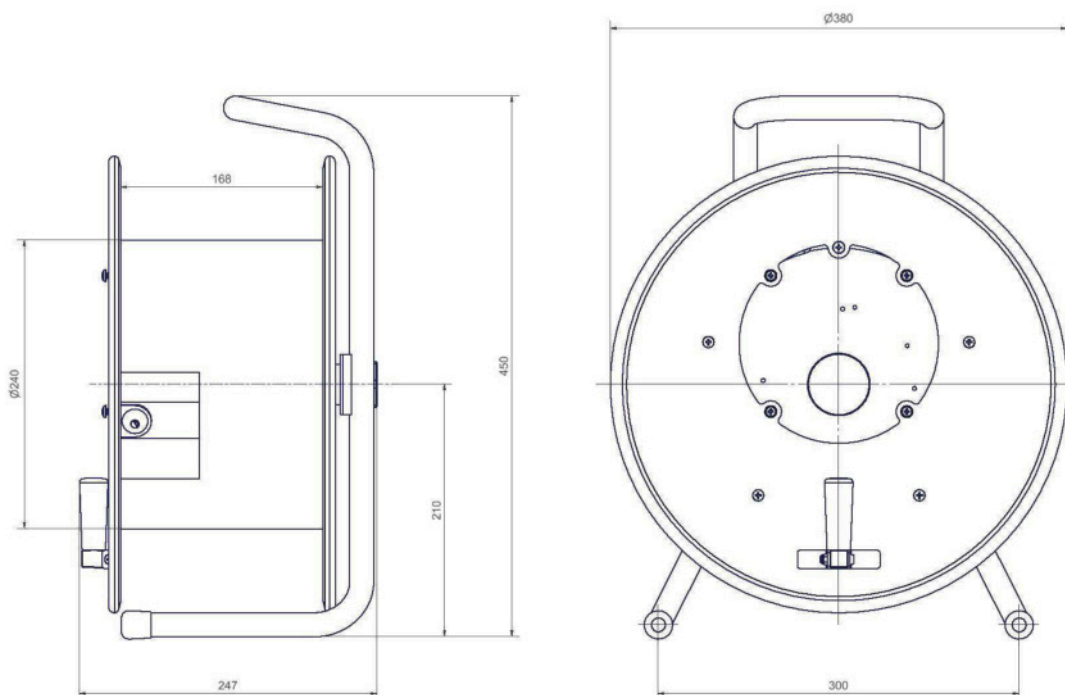


# Drum dimensions

## HT 380.MS6 + HT 380.MS12 + HT 380.MS24

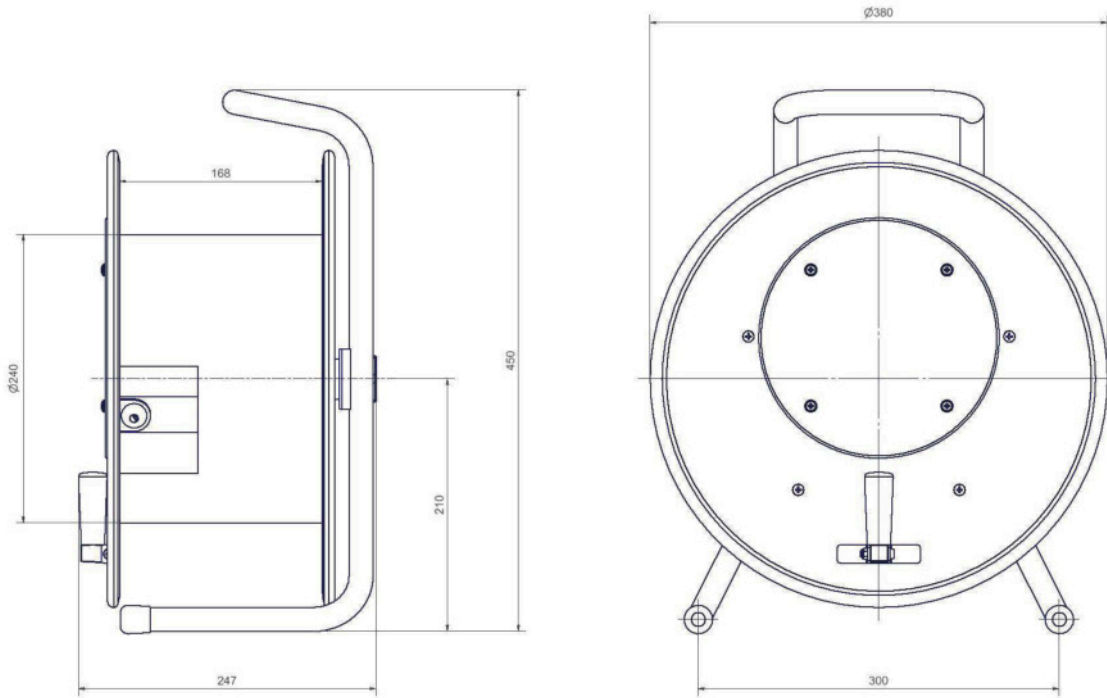


## HT 381.OPEN

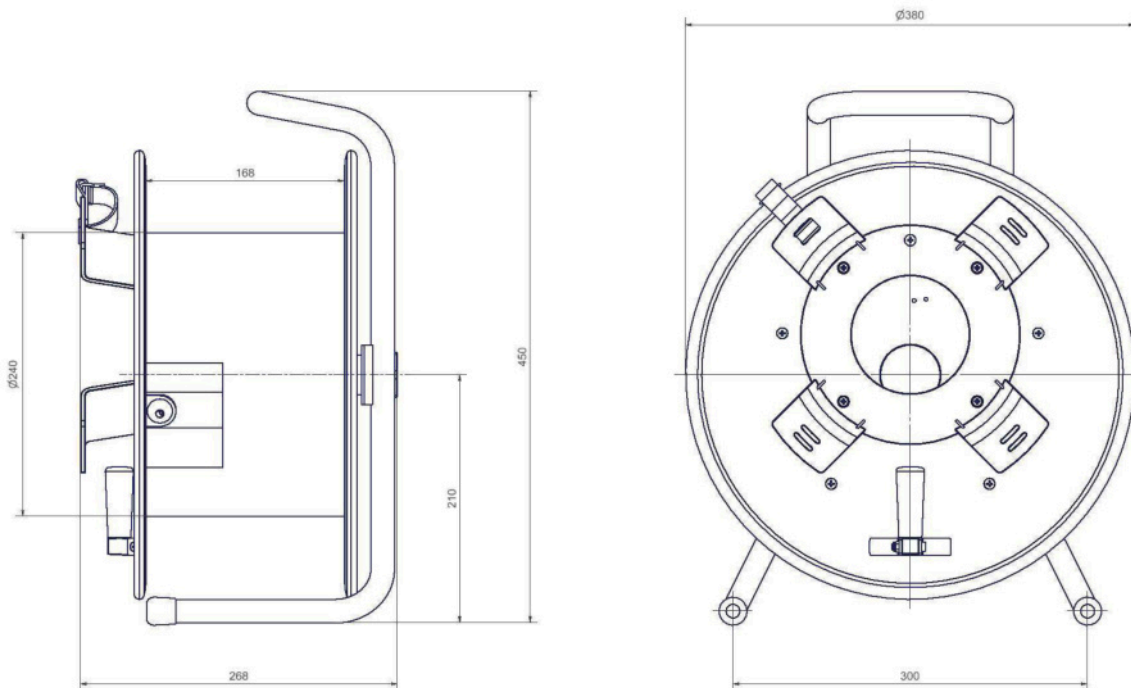


# Drum dimensions

## HT 381.S0



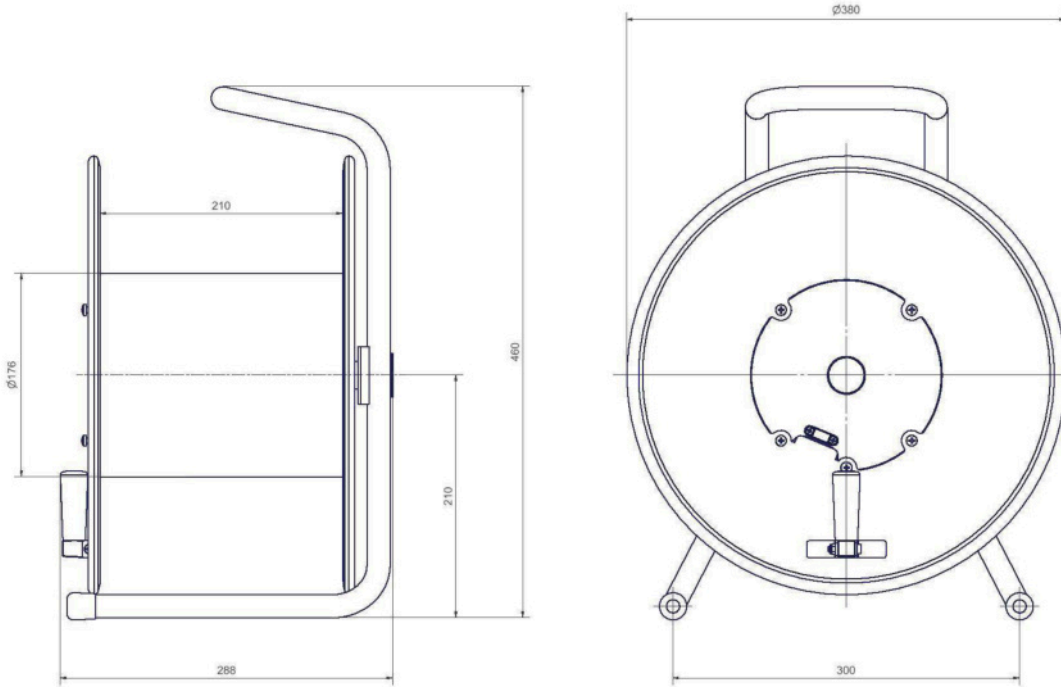
## HT 381.RM



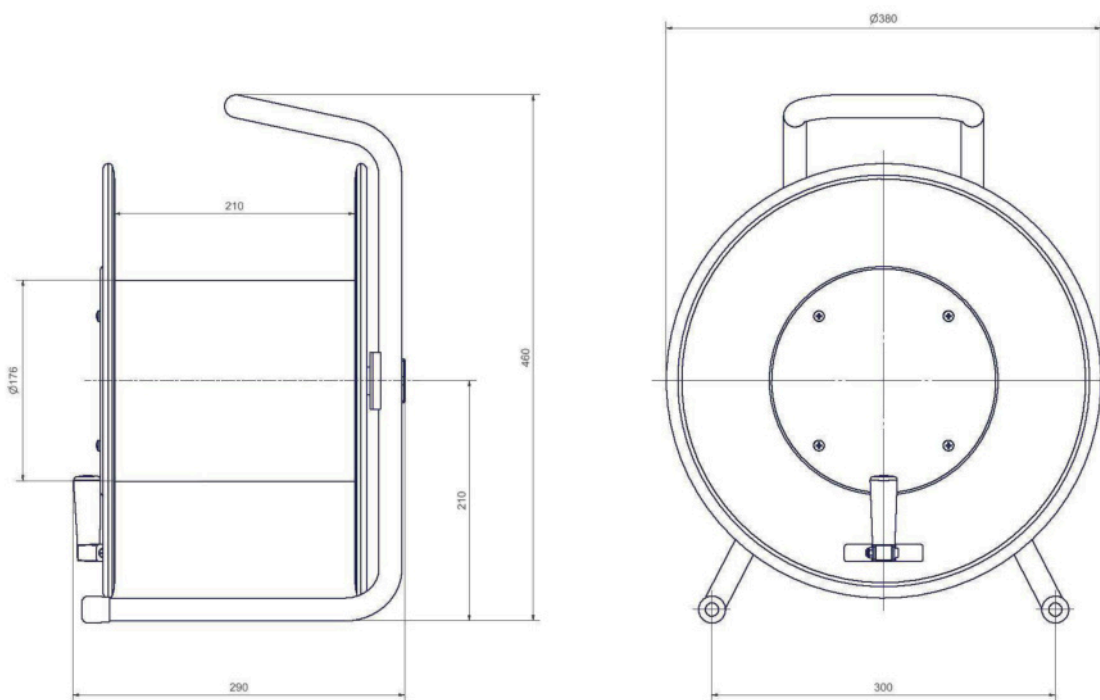


# Drum dimensions

## HT 385.OPEN

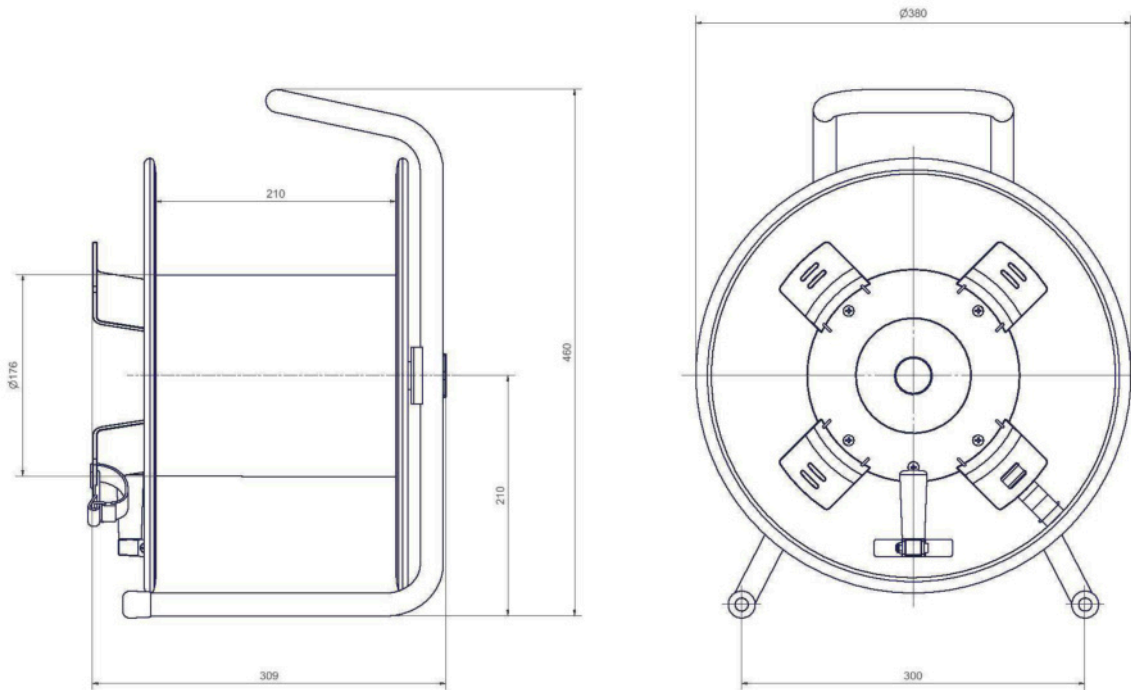


## HT 385.S0

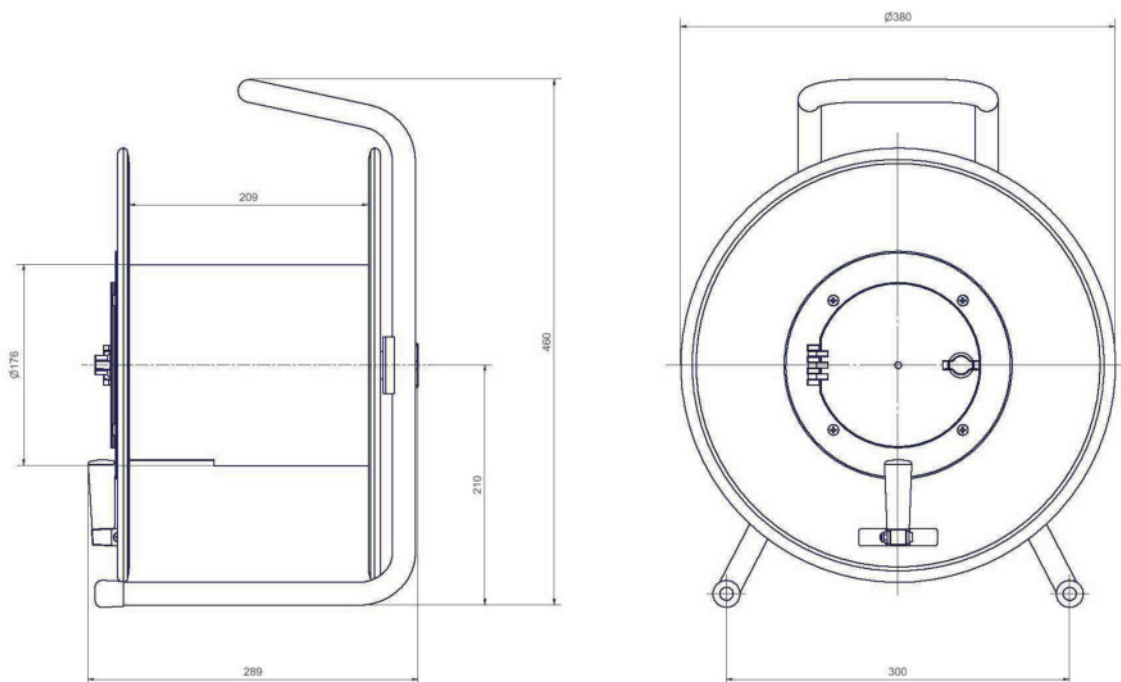


# Drum dimensions

## HT 385.RM

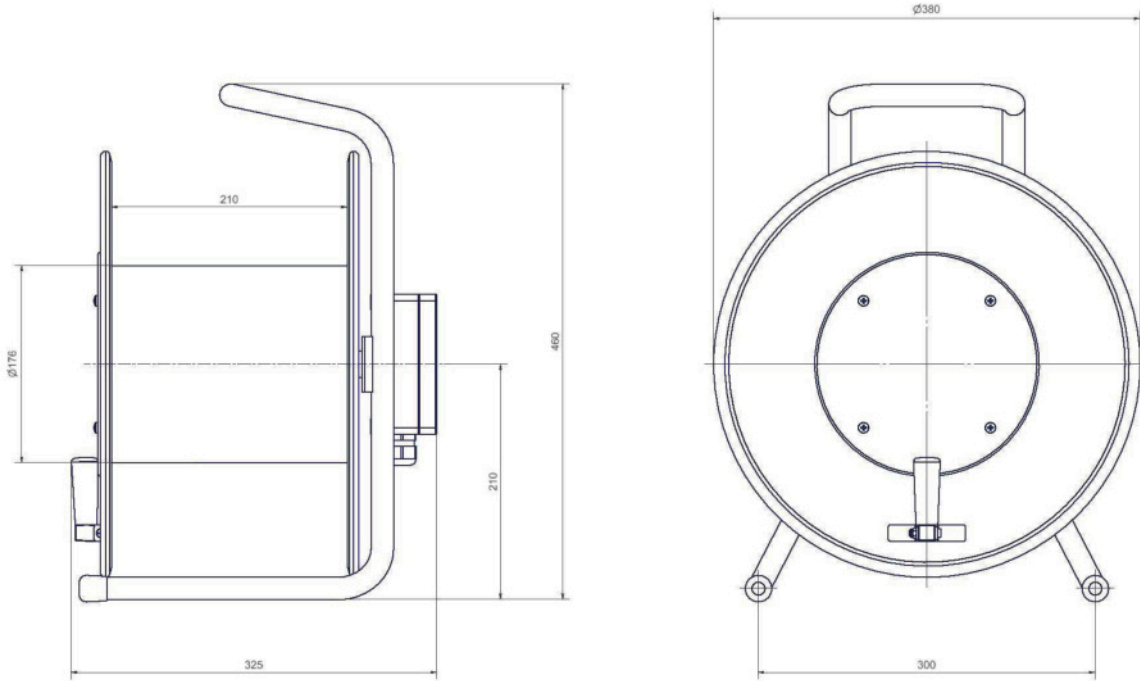


## HT 385.MFK

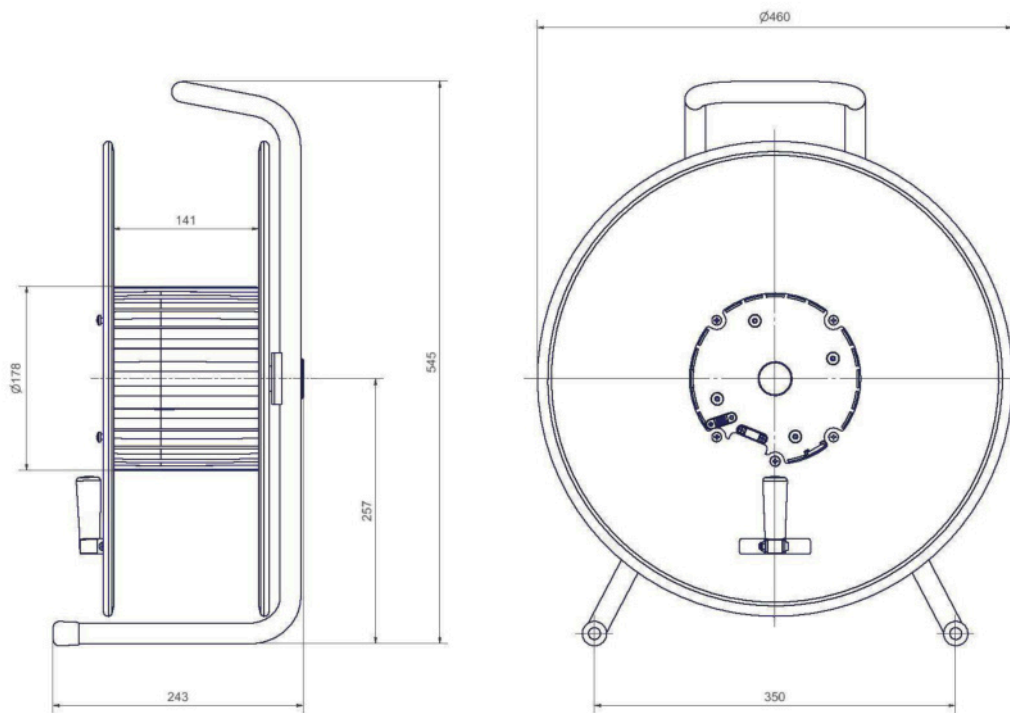


# Drum dimensions

## HT 385.MS6 + HT 385.MS12 + HT 385.MS18 + HT 385.MS24

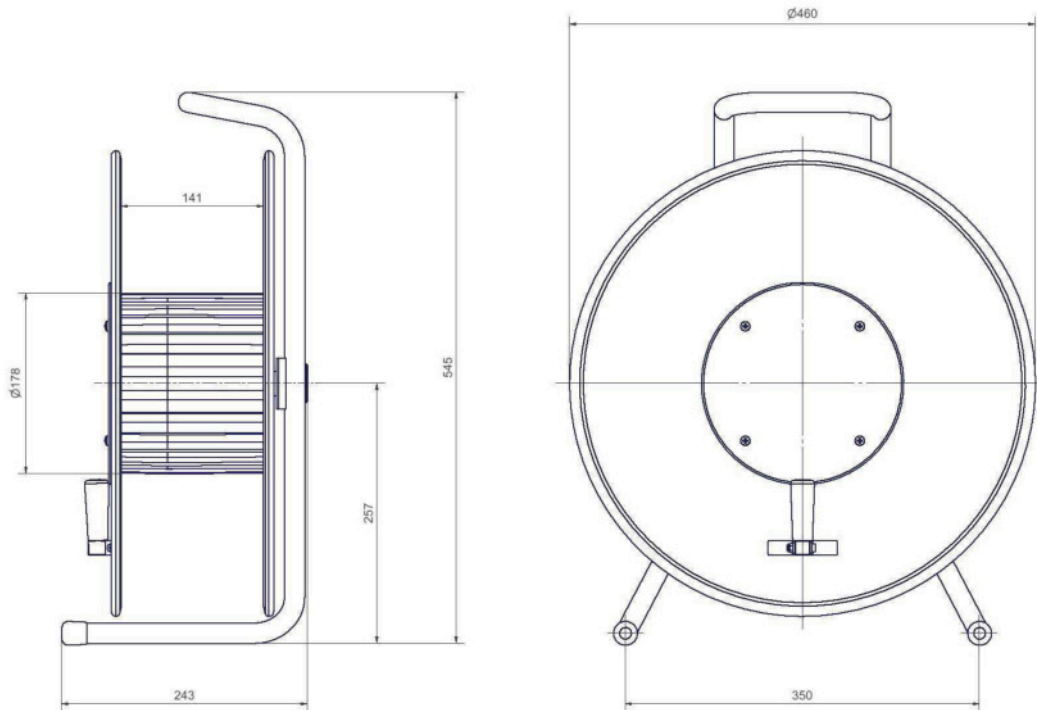


## HT 480.OPEN

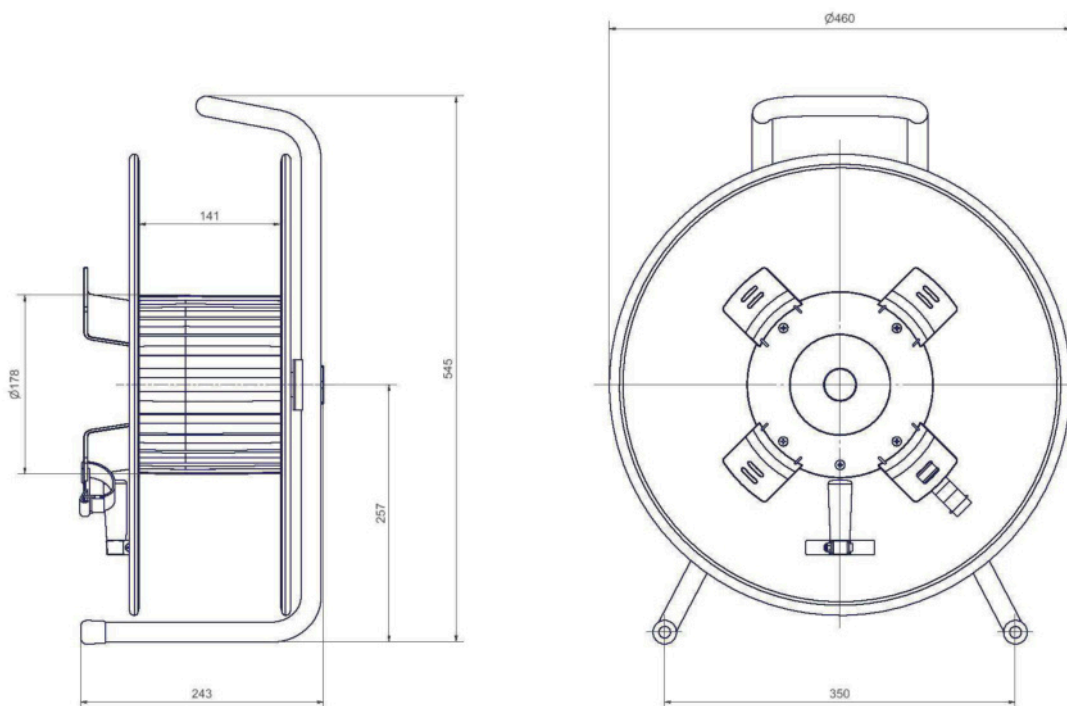


# Drum dimensions

## HT 480.S0

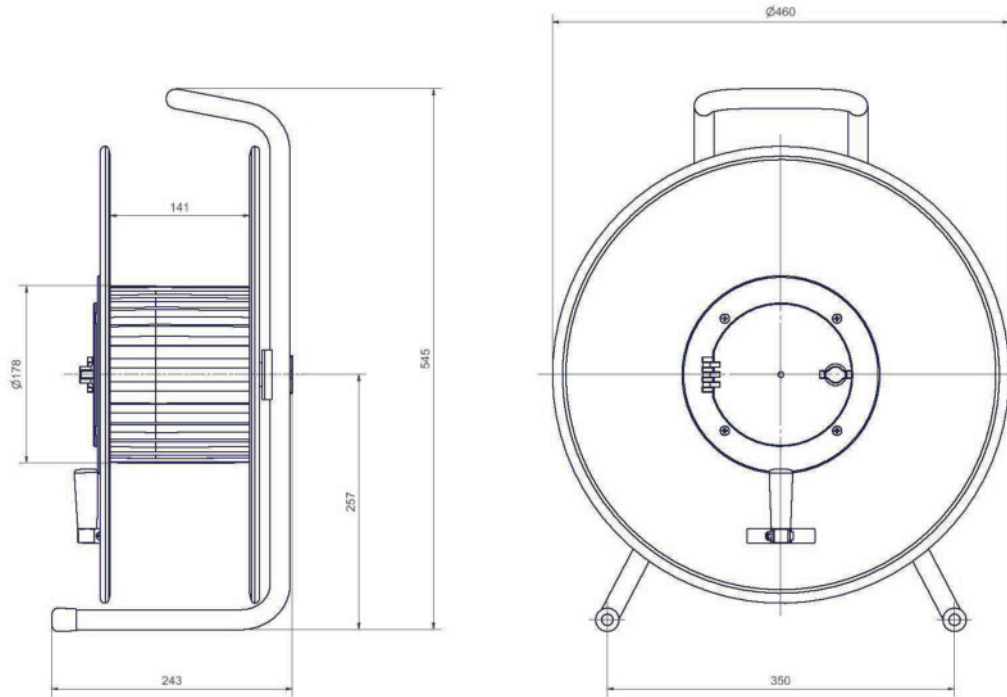


## HT 480.RM

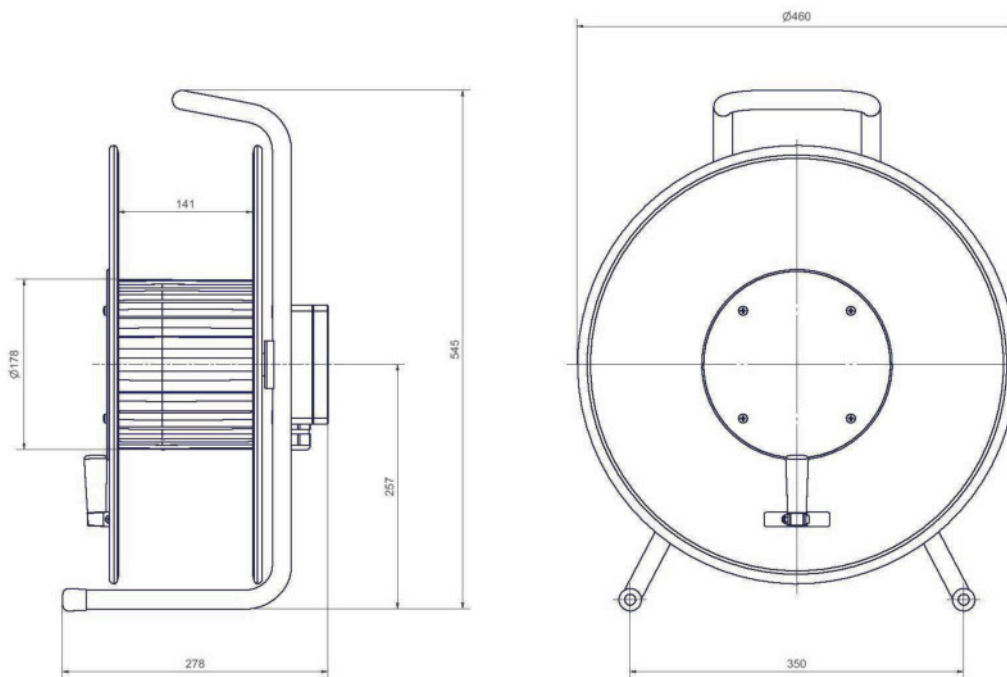


# Drum dimensions

## HT 480.MFK

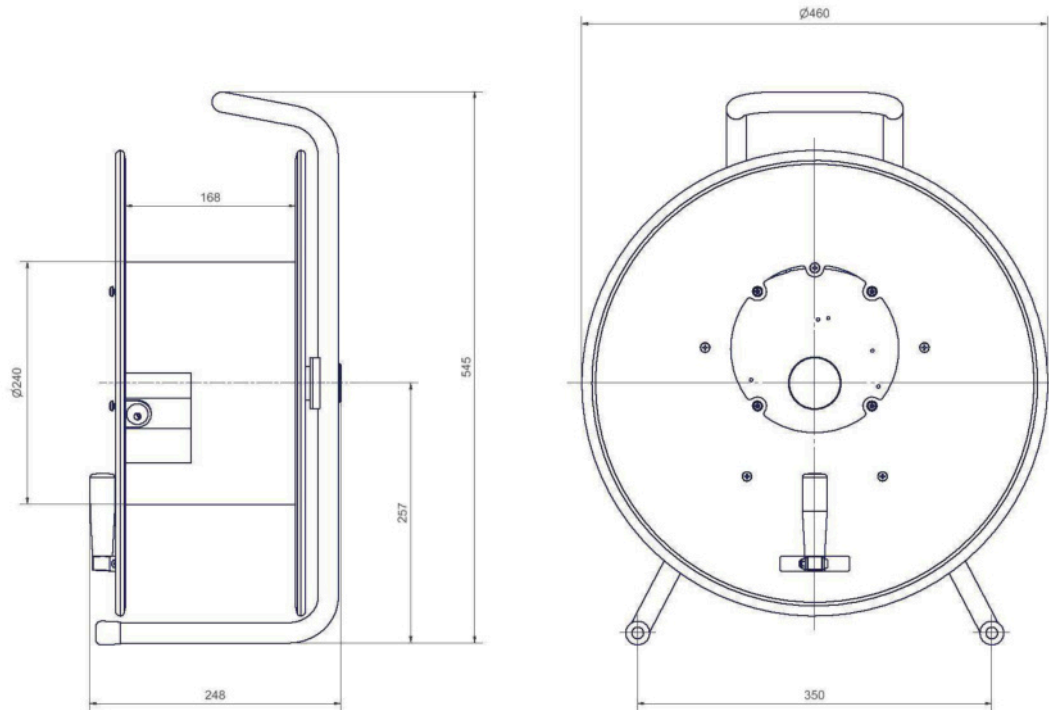


## HT 480.MS12

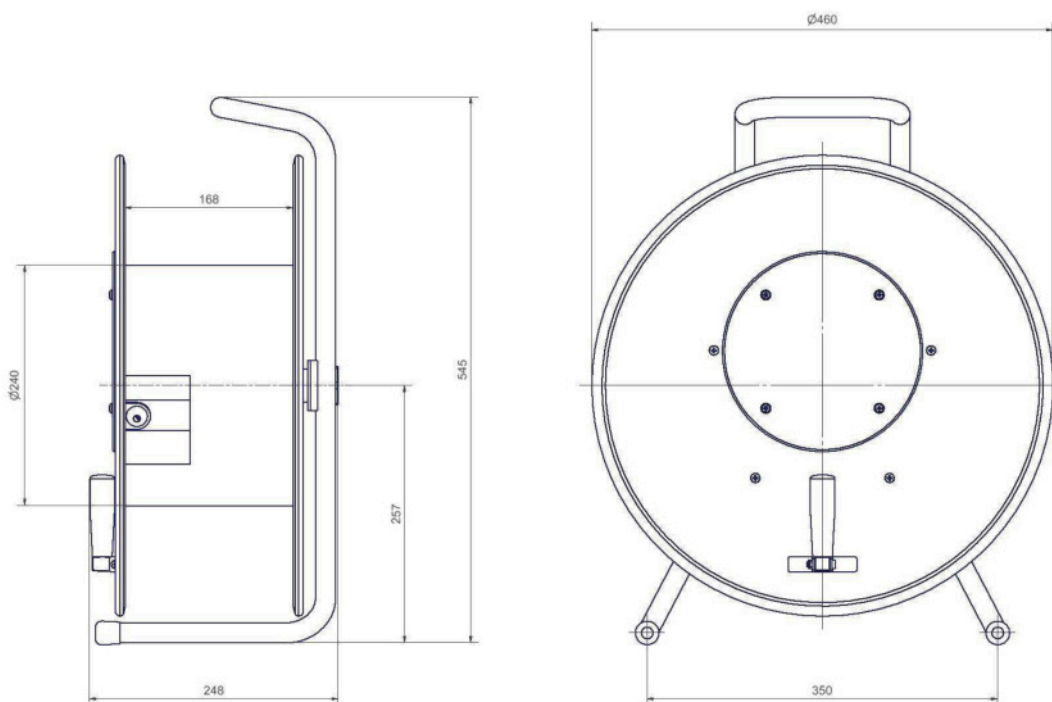


# Drum dimensions

## HT 481.OPEN

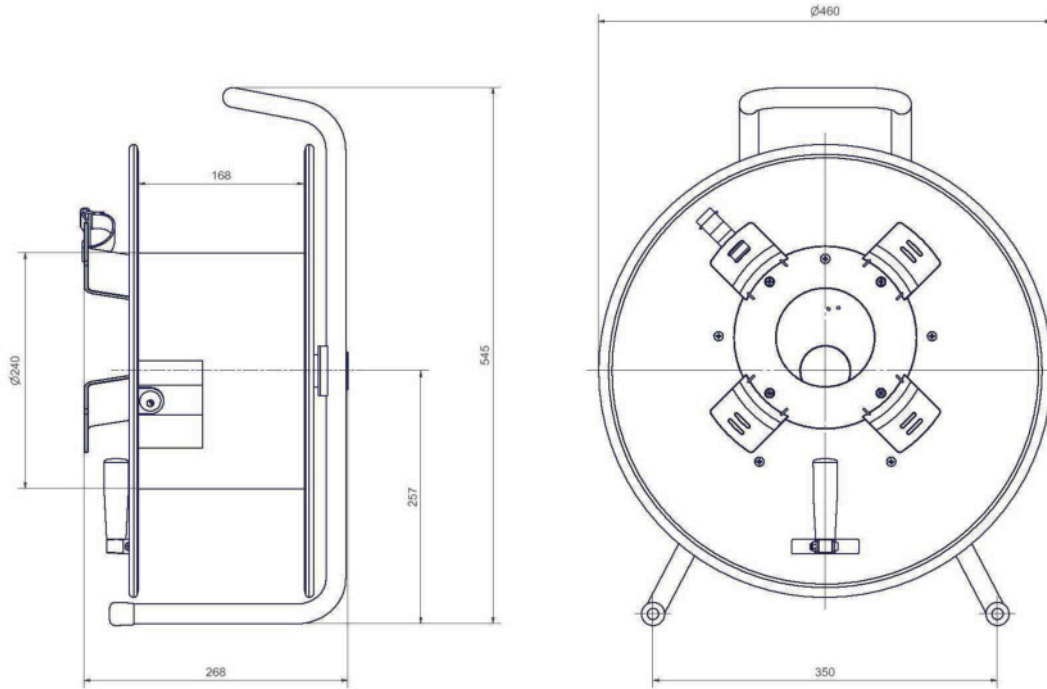


## HT 481.S0

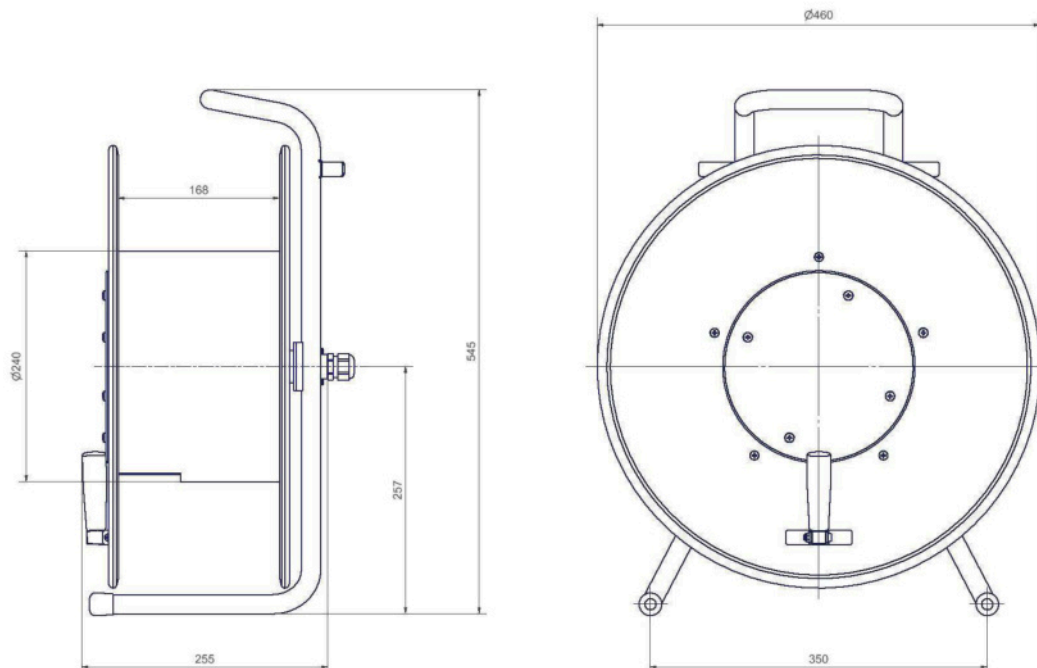


# Drum dimensions

## HT 481.RM

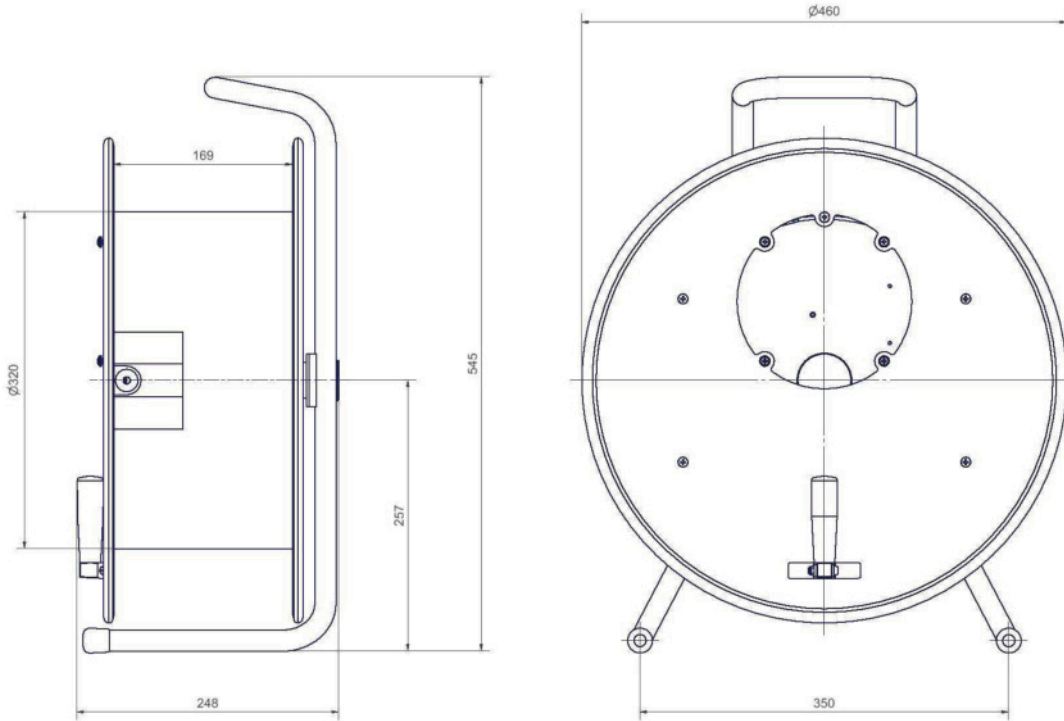


## HT 481.MS10

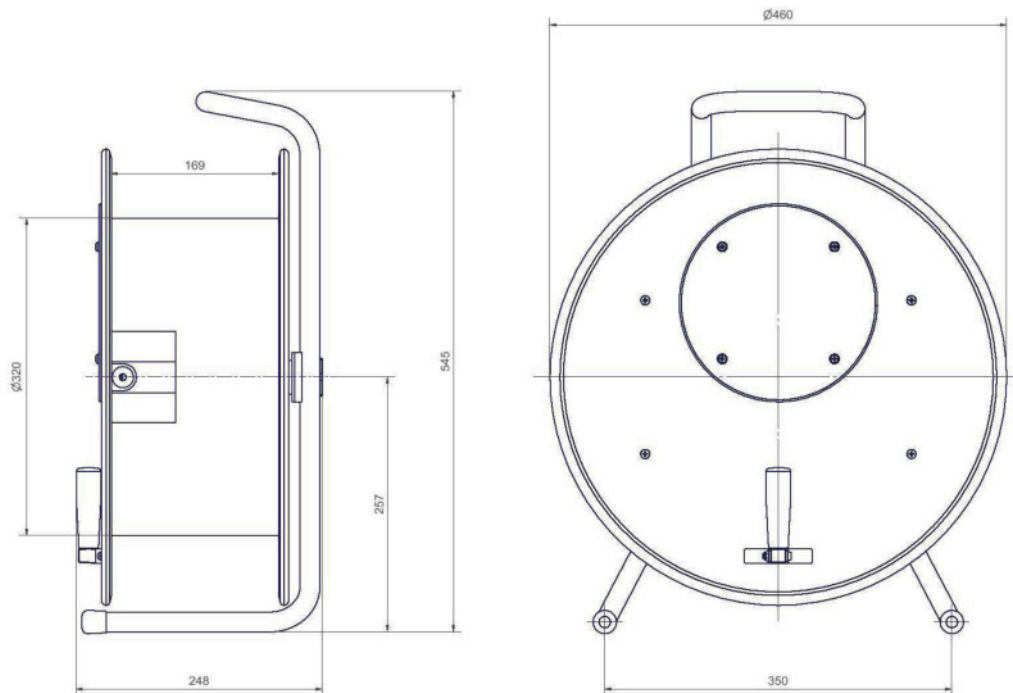


# Drum dimensions

## HT 482.OPEN



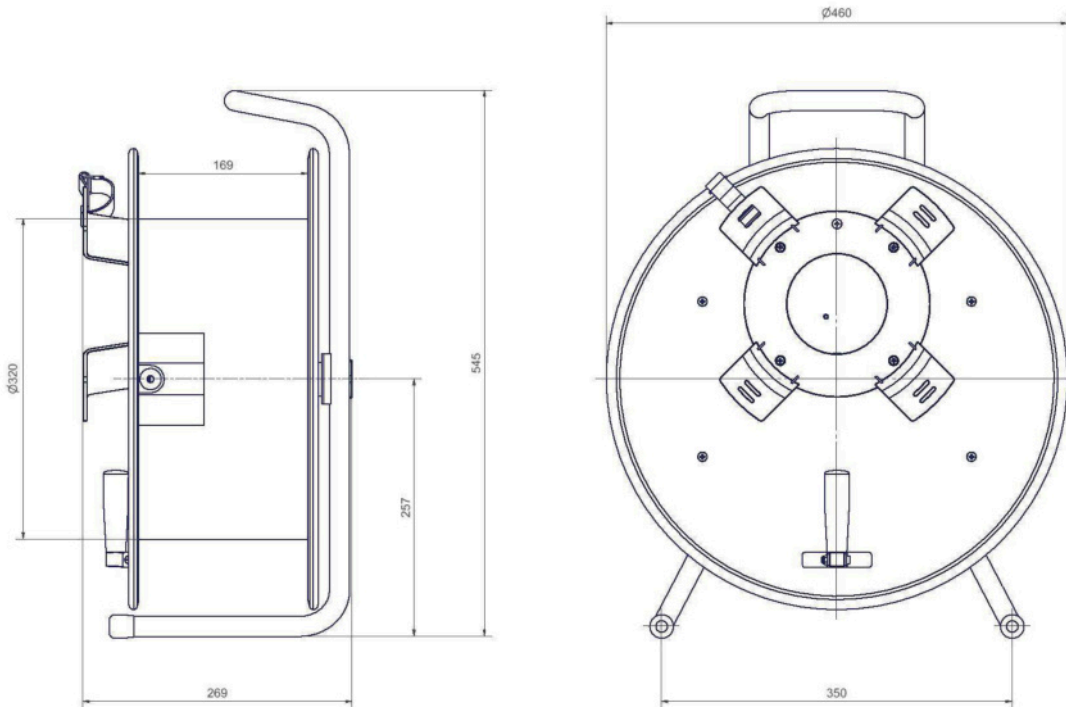
## HT 482.S0



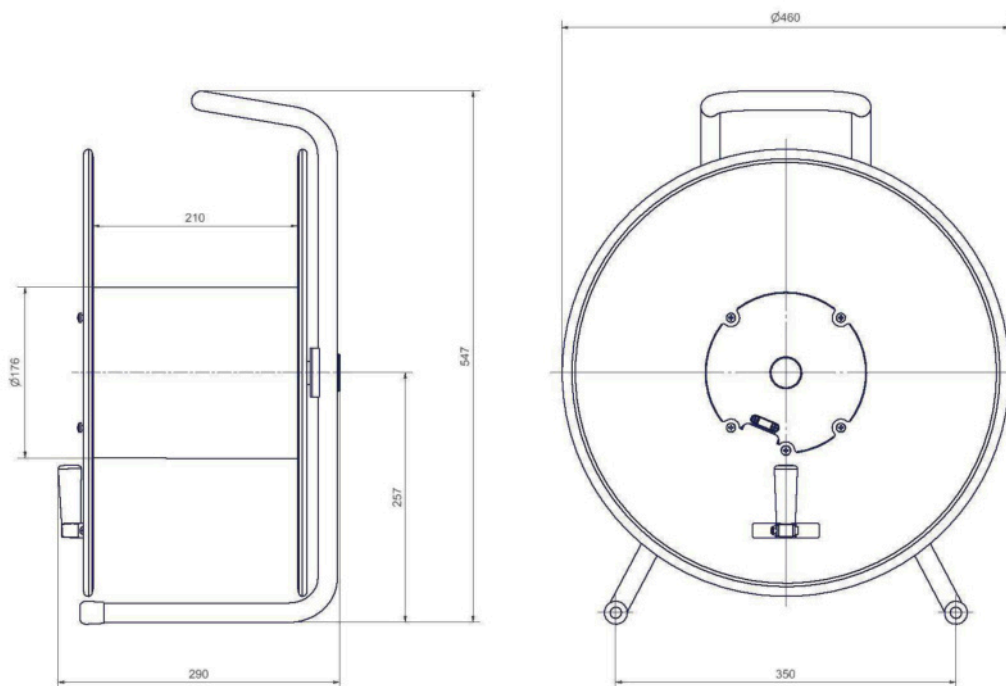


# Drum dimensions

## HT 482.RM

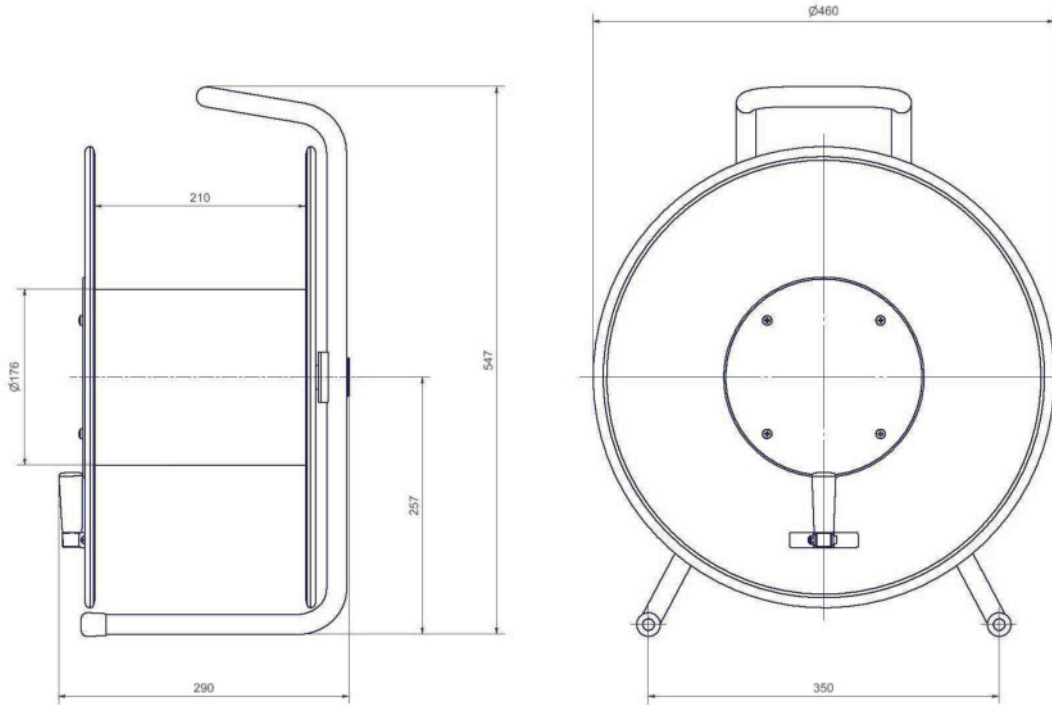


## HT 485.OPEN

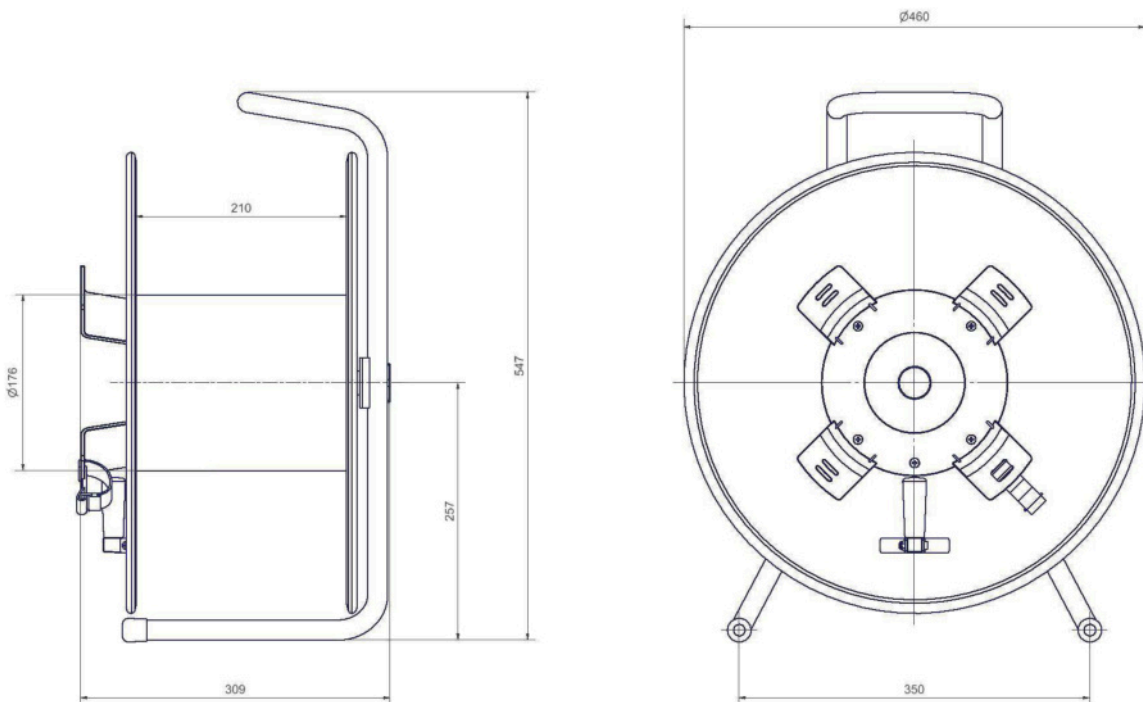


# Drum dimensions

## HT 485.S0

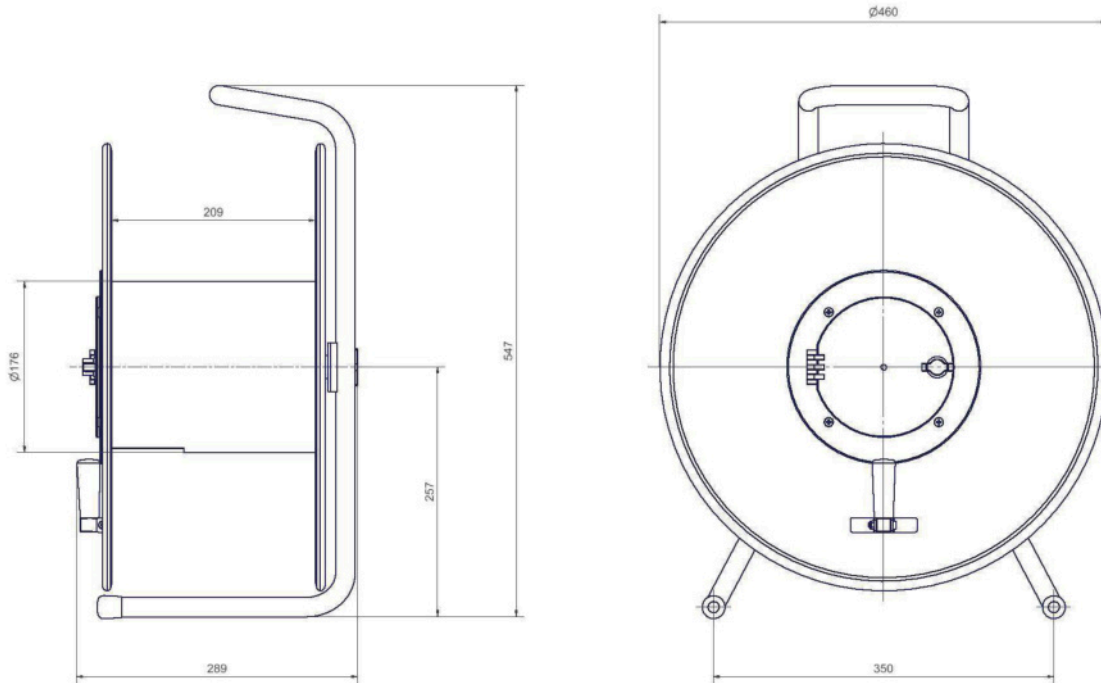


## HT 485.RM

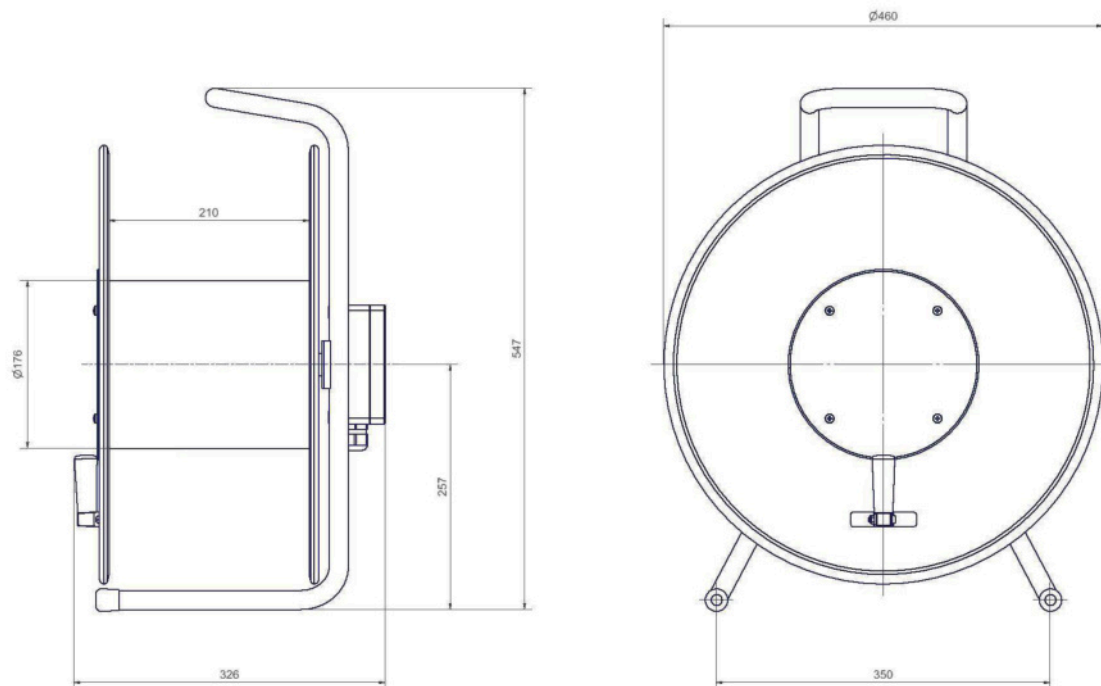


# Drum dimensions

## HT 485.MFK

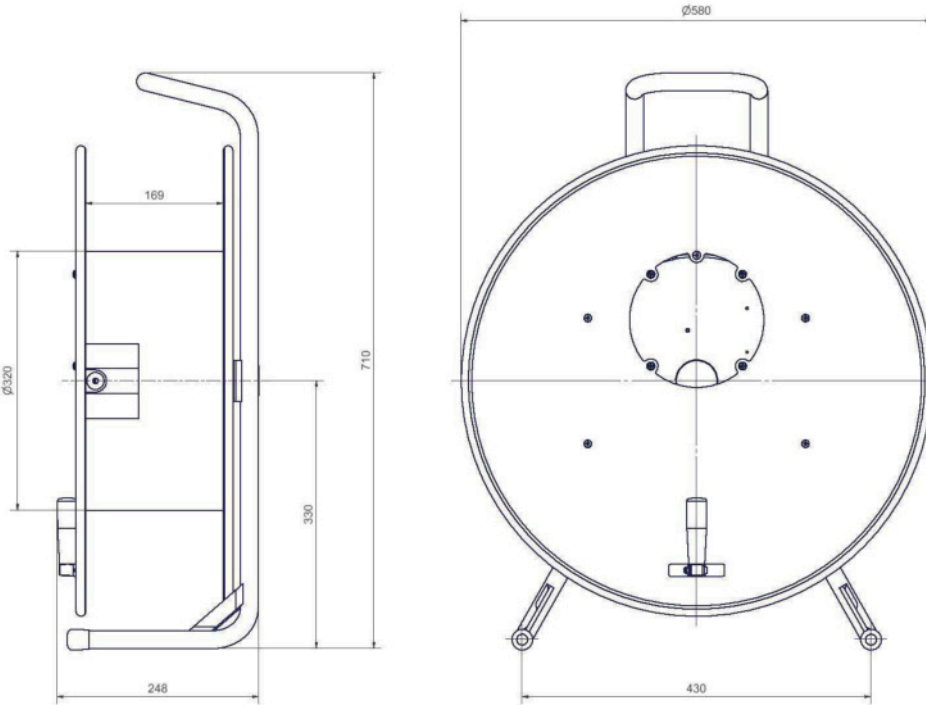


## HT 485.MS6 + HT 485.MS12 + HT 485.MS18+ HT 485.MS24

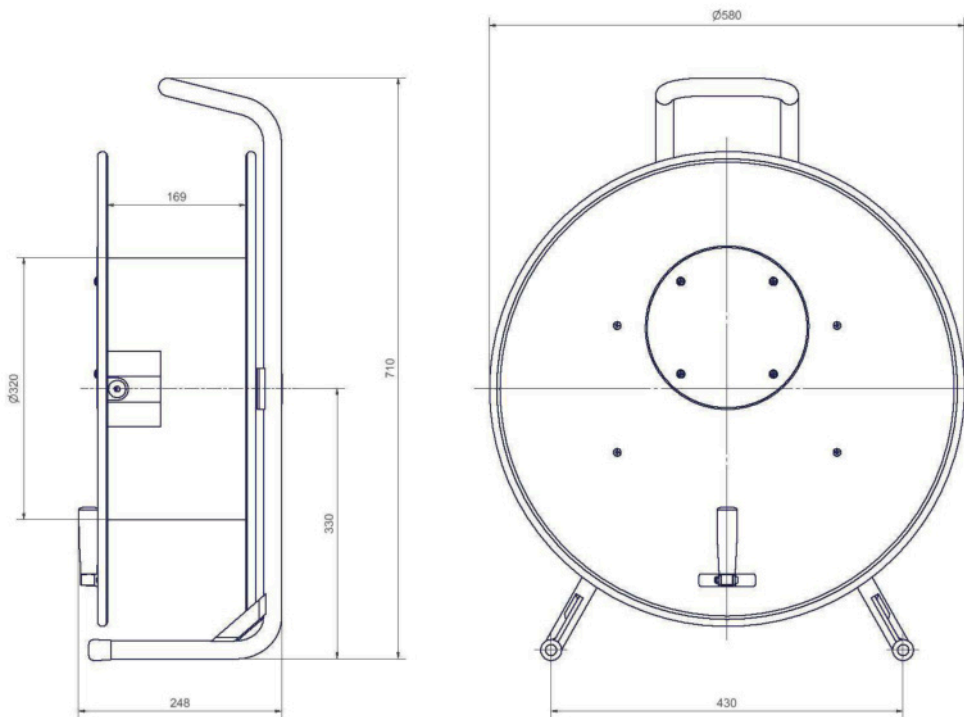


# Drum dimensions

## HT 582.OPEN

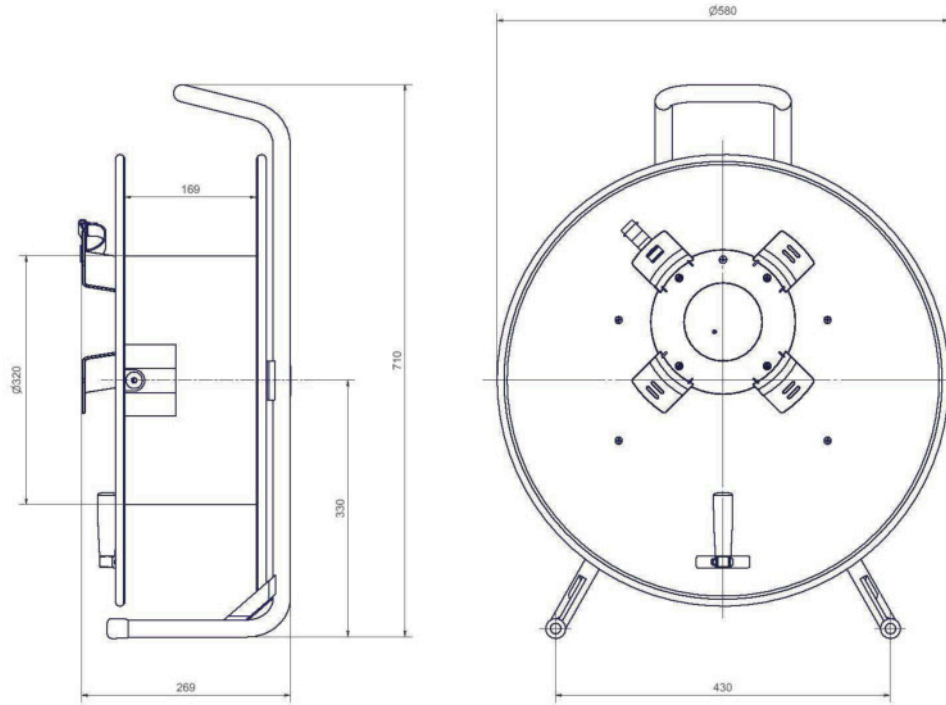


## HT 582.S0

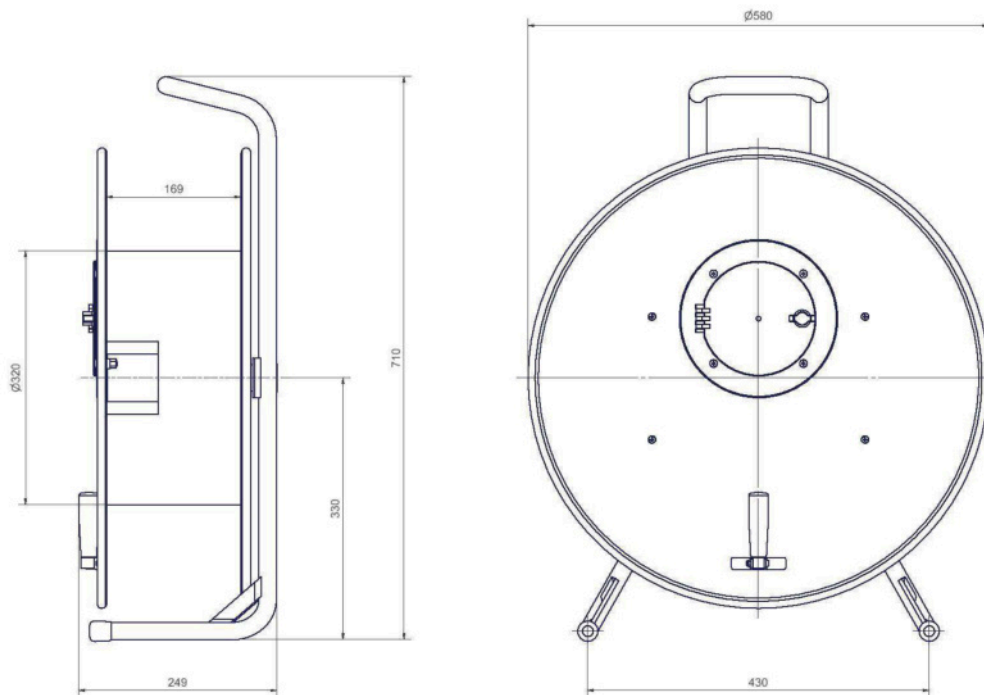


# Drum dimensions

## HT 582.RM

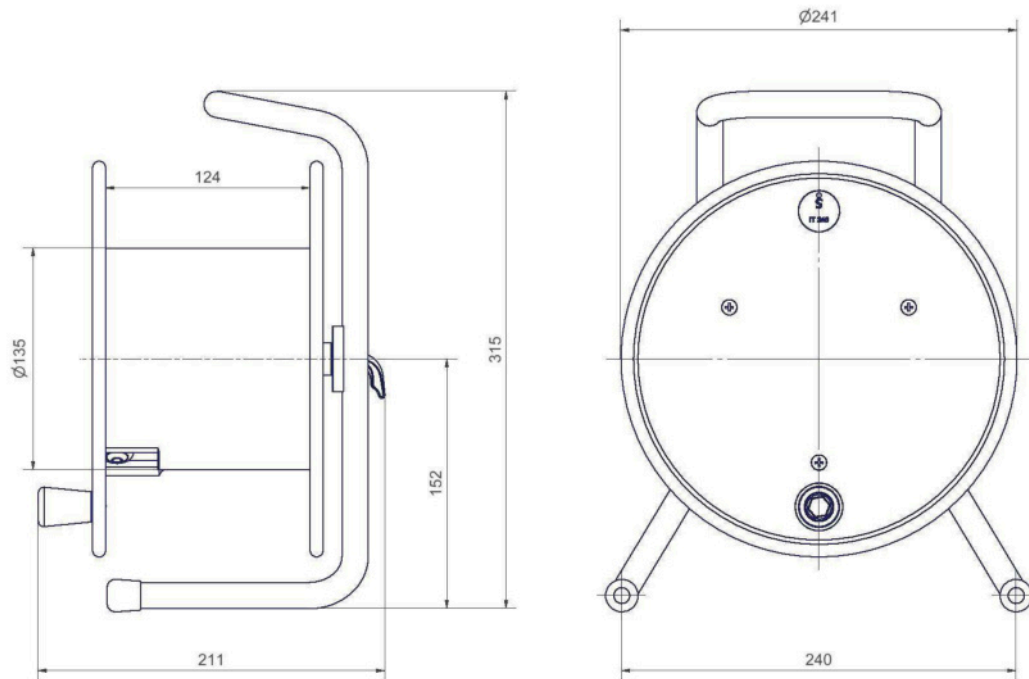


## HT 582.MFK

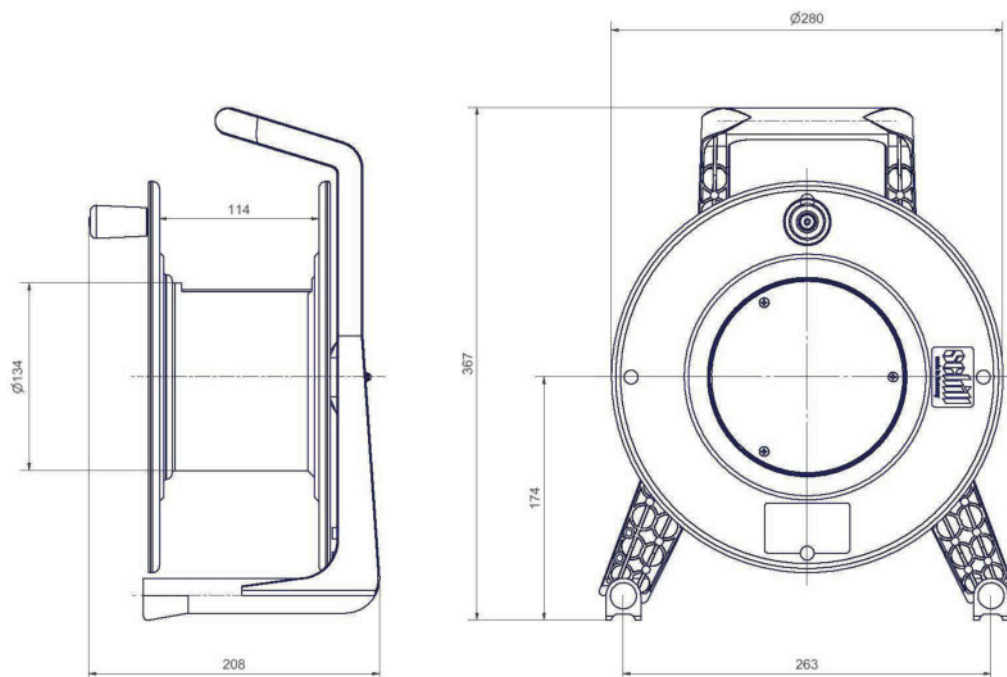


# Drum dimensions

## IT 240.S0

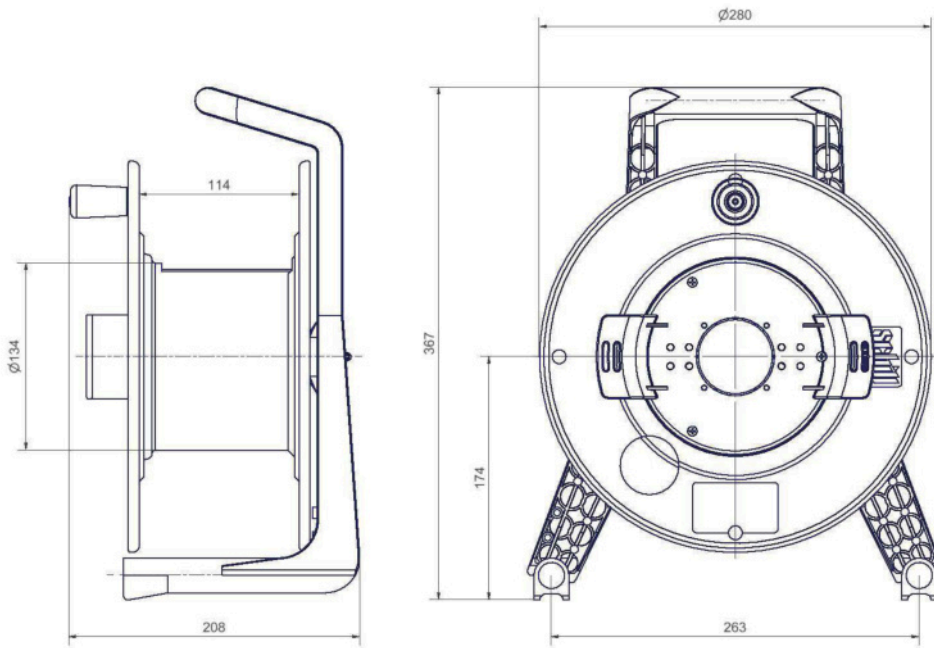


## IT 266.S0

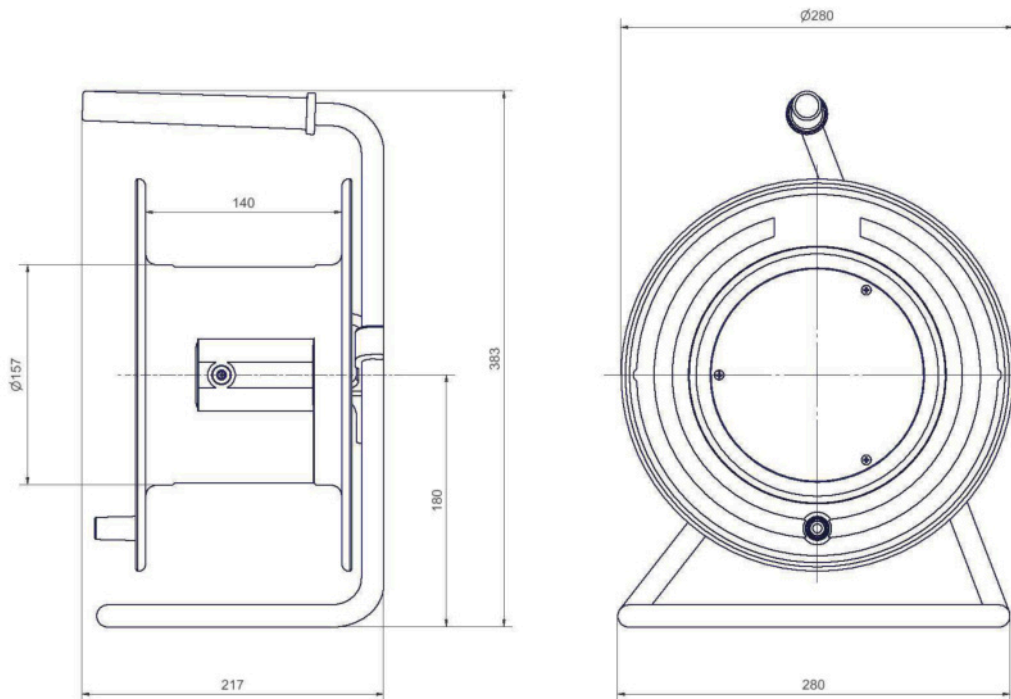


# Drum dimensions

## IT 266.RM

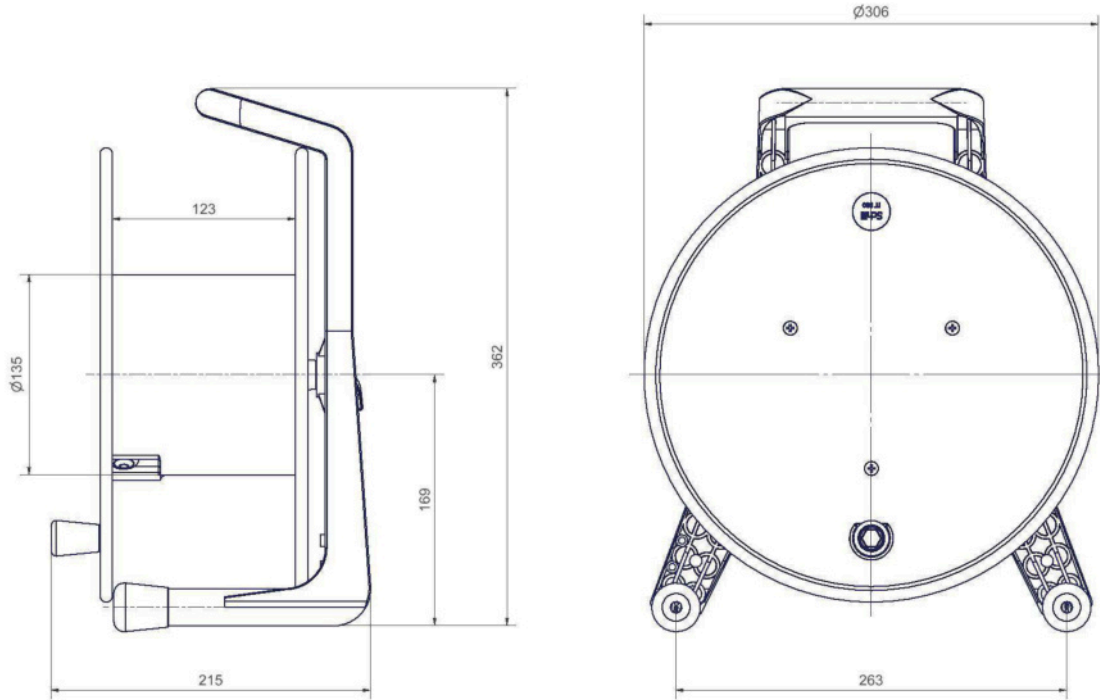


## IT 280.S0

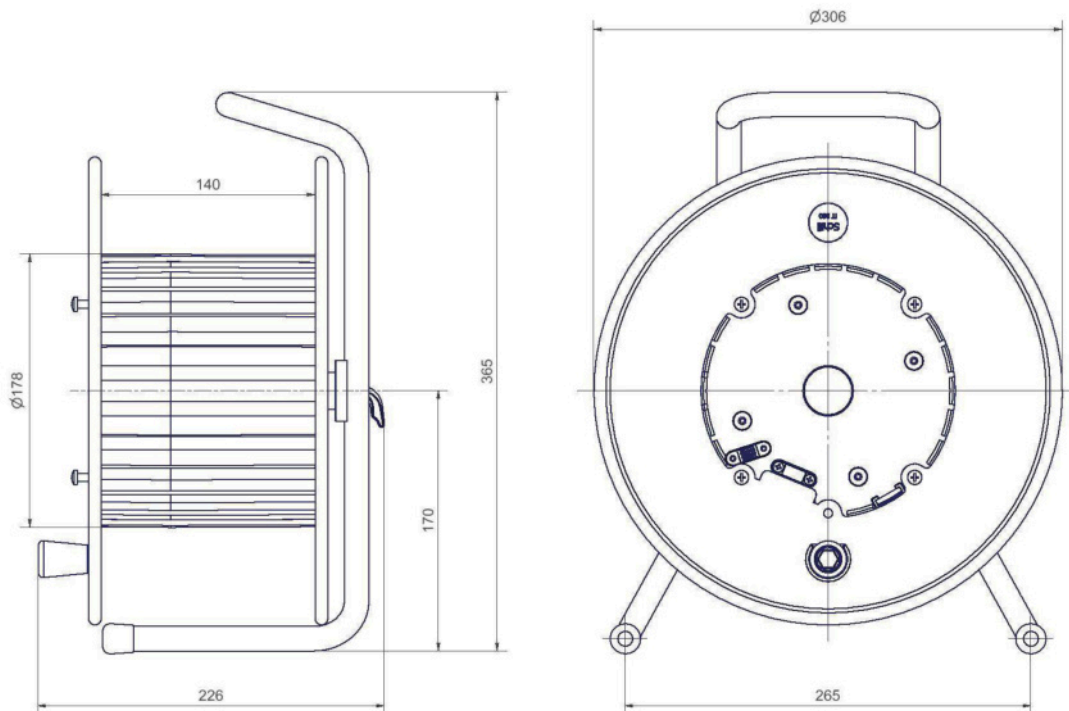


# Drum dimensions

## IT 300.50



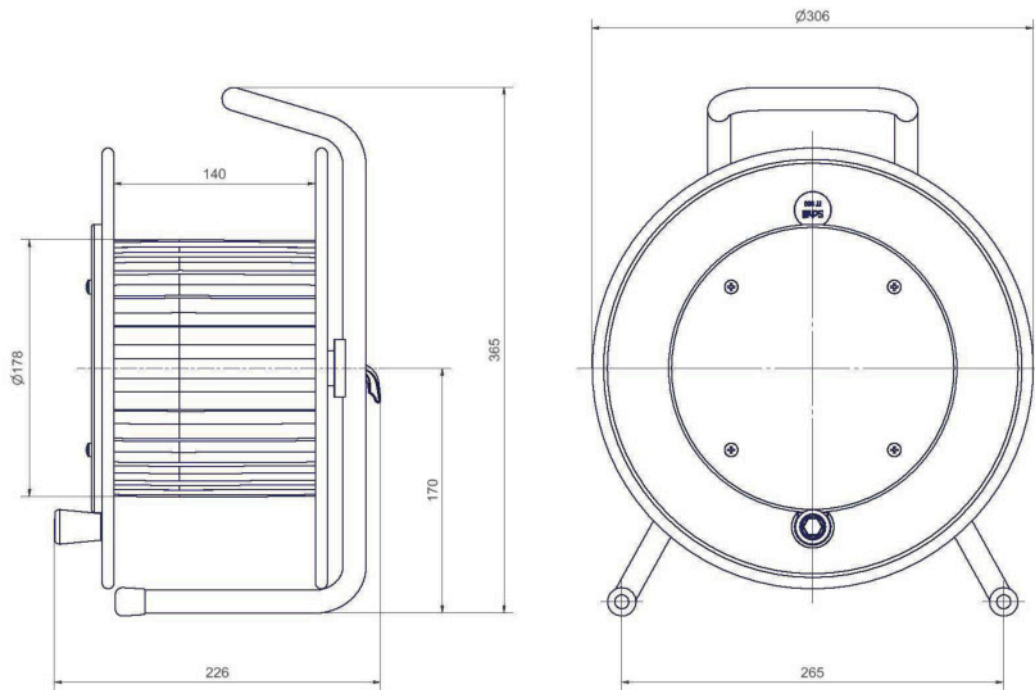
## IT 300K.OPEN



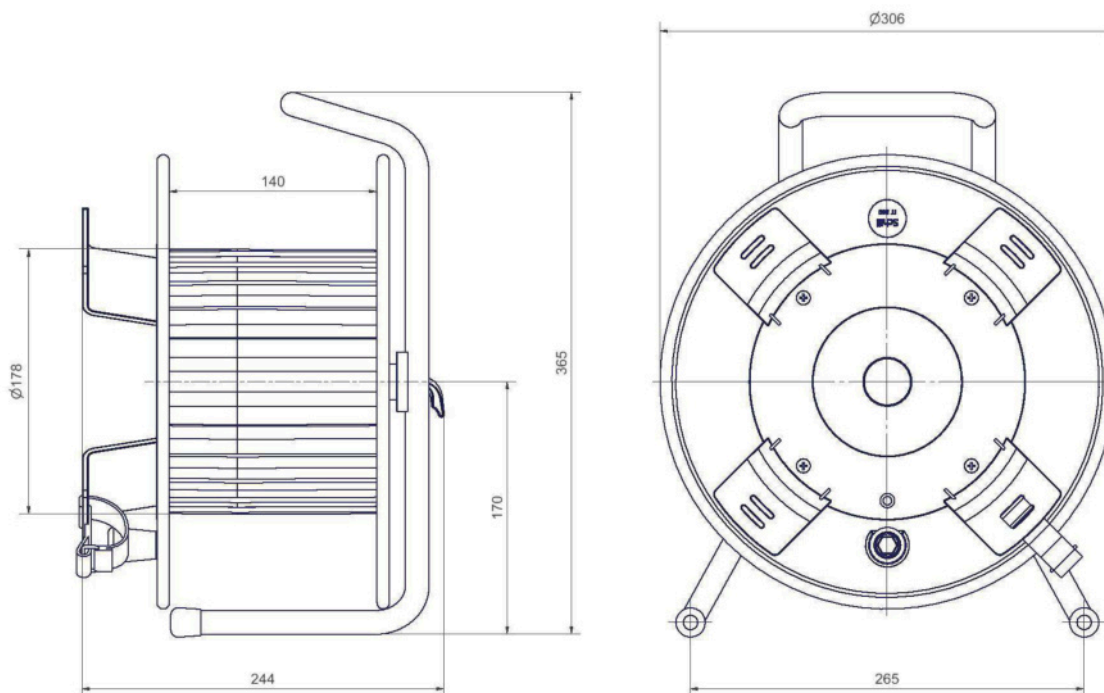


# Drum dimensions

## IT 300K.S0

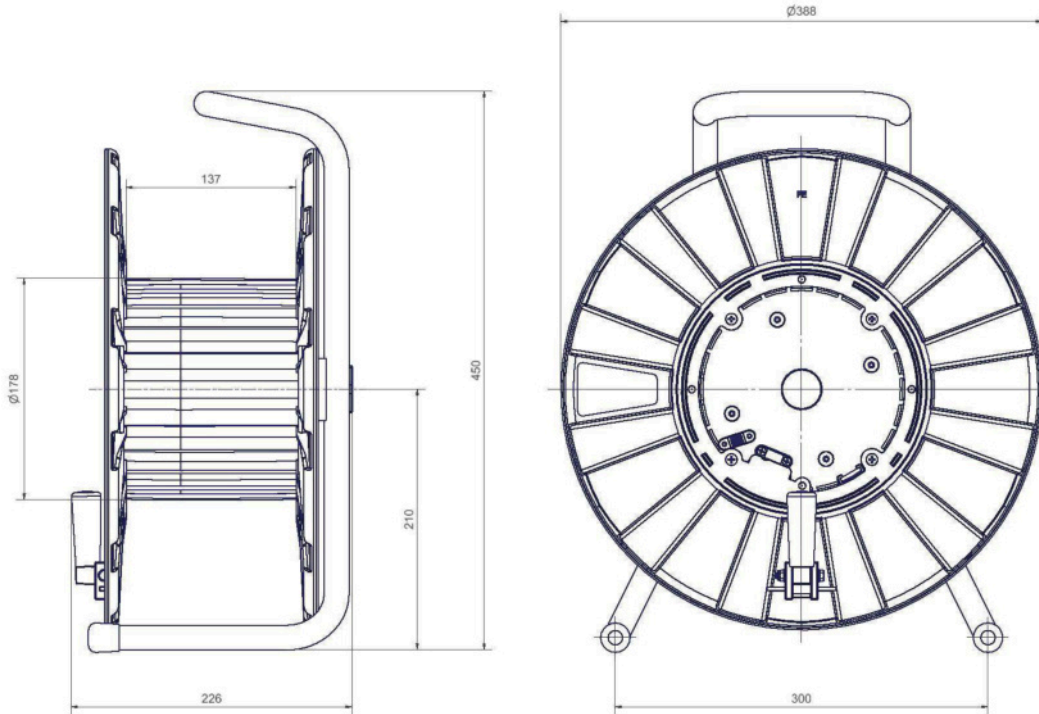


## IT 300K.RM

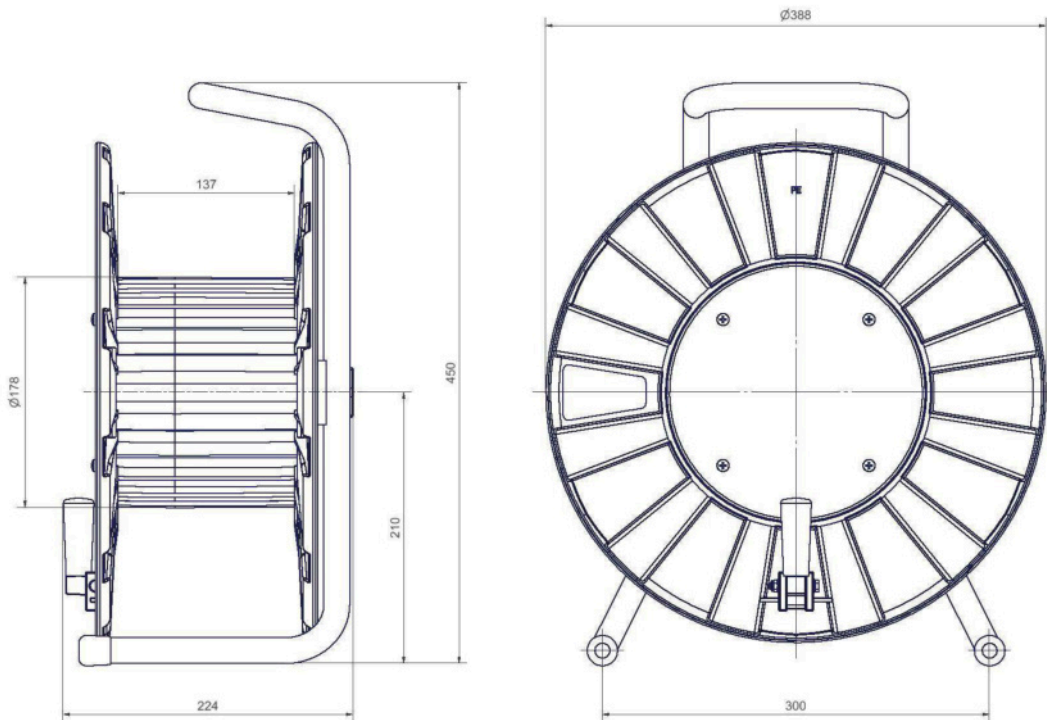


# Drum dimensions

## IT 380.OPEN

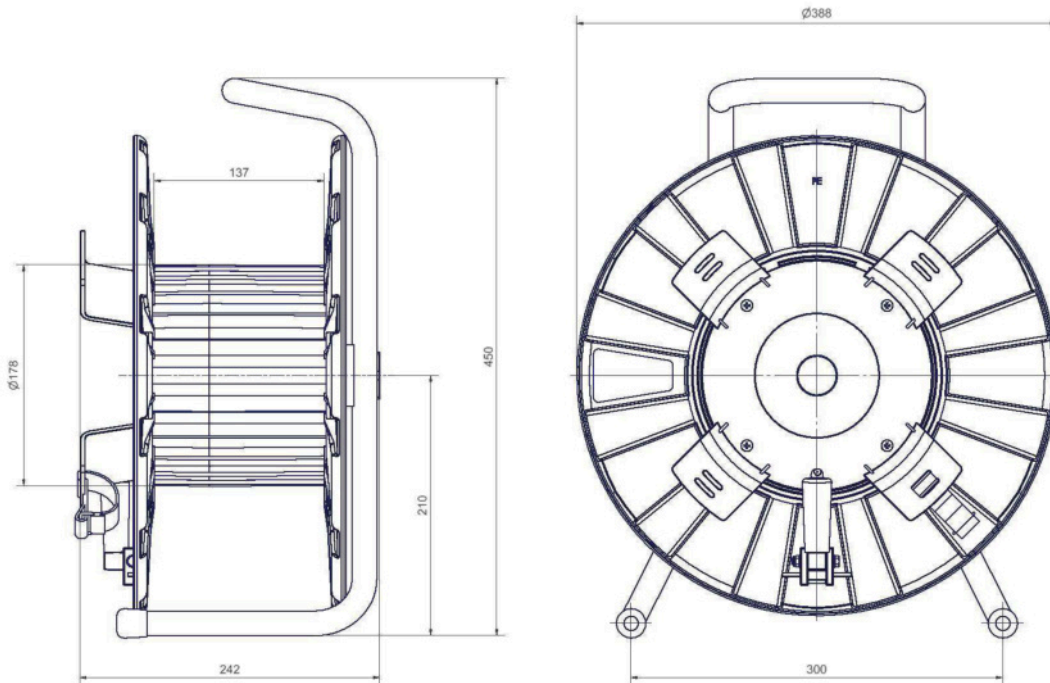


## IT 380.S0



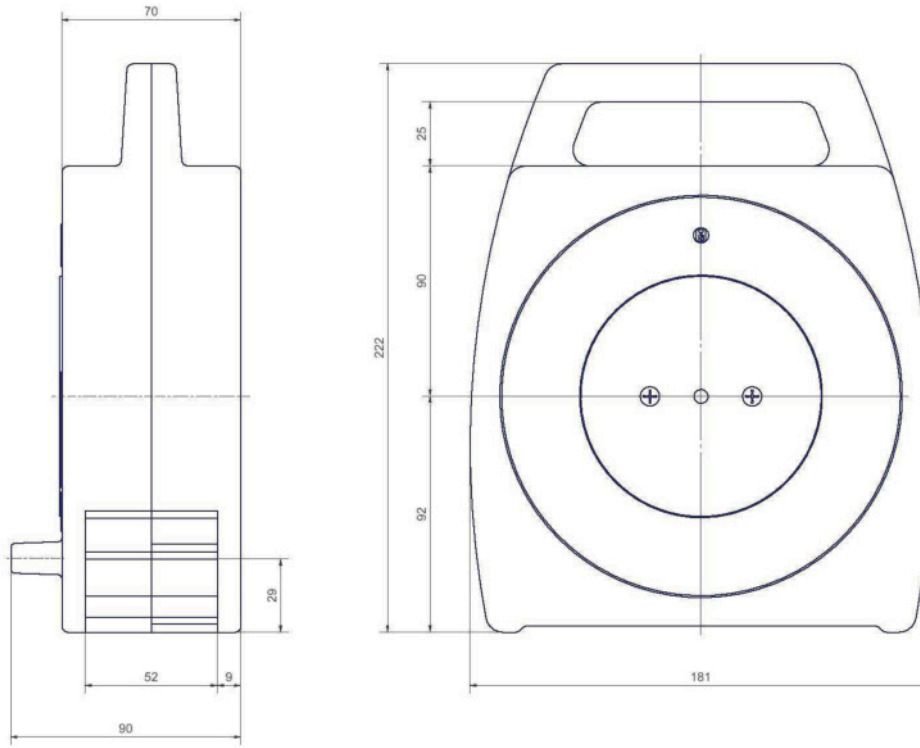
# Drum dimensions

## IT 380.RM

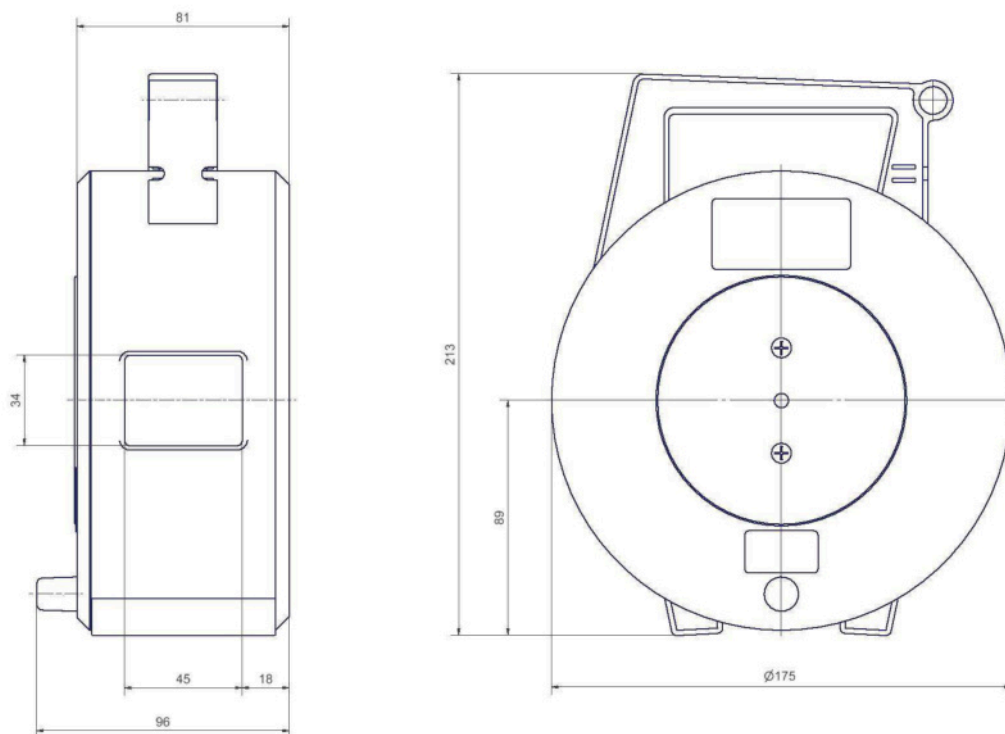


# Drum dimensions

## KB 170.S0

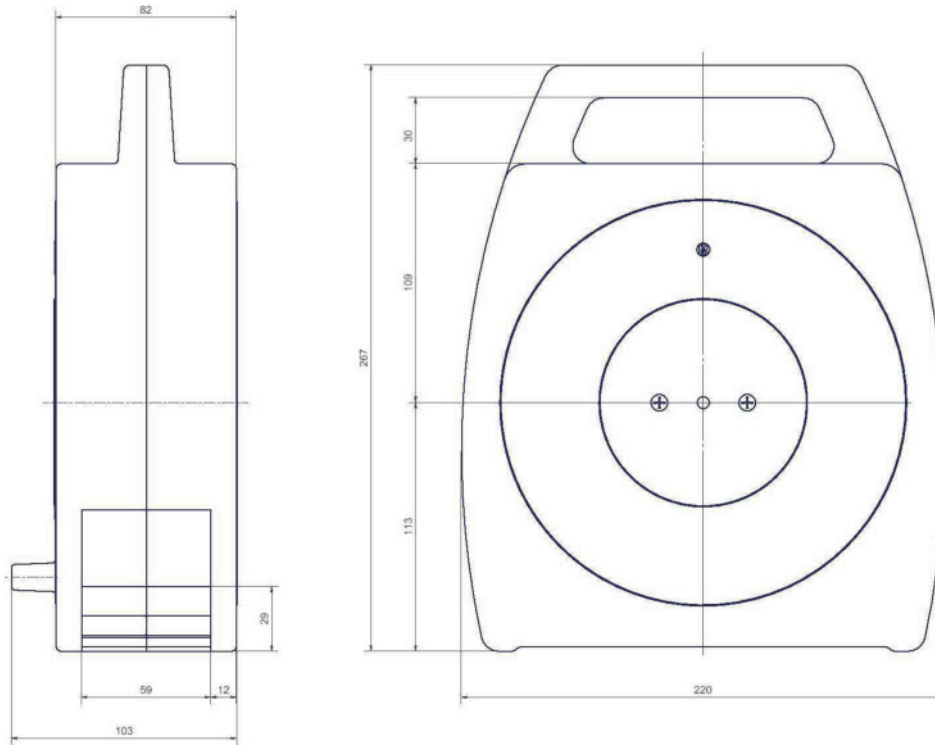


## KB 210.S0

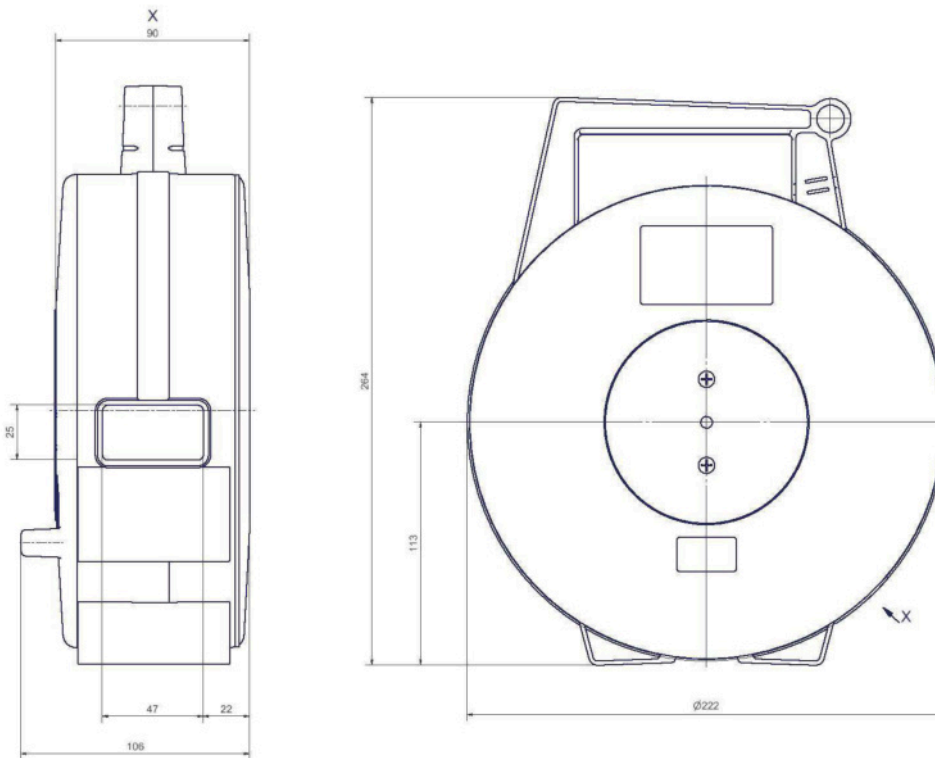


# Drum dimensions

## KB 220.50

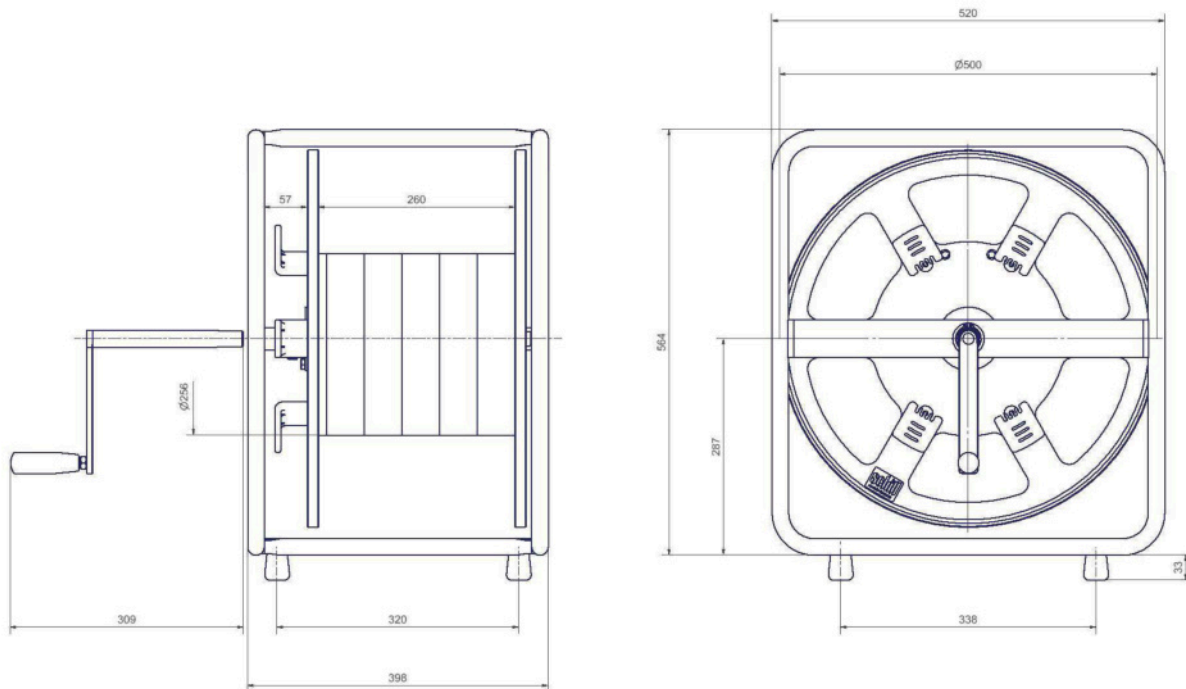


## KB 225.50

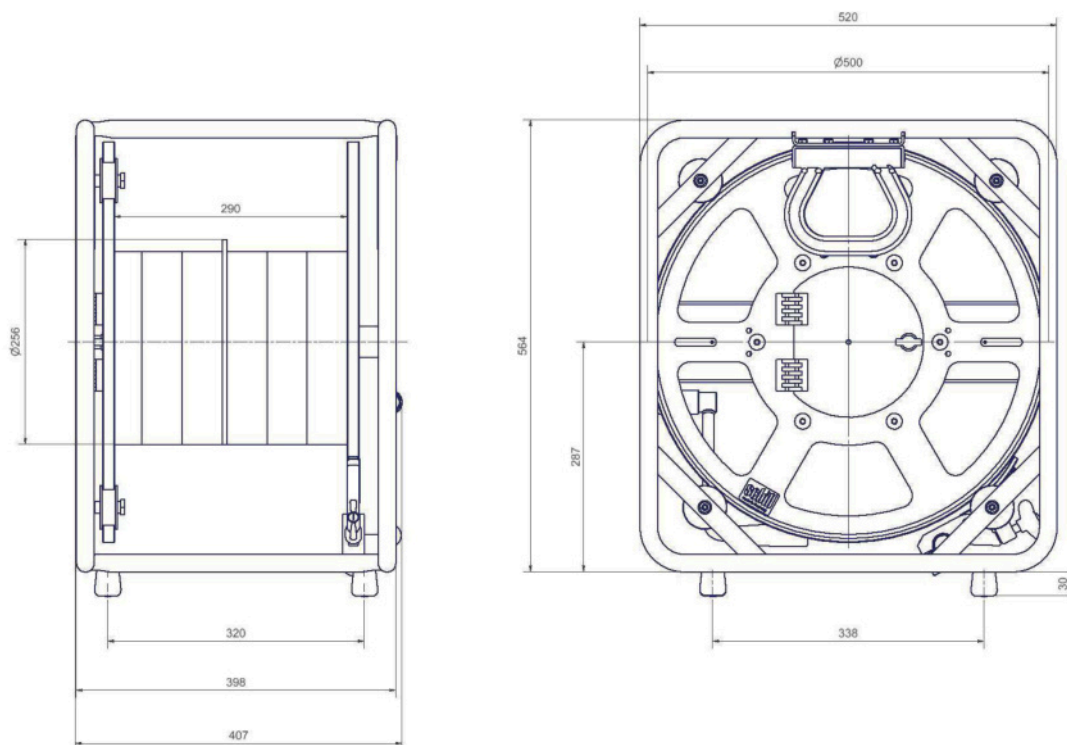


# Drum dimensions

## SL 500 light

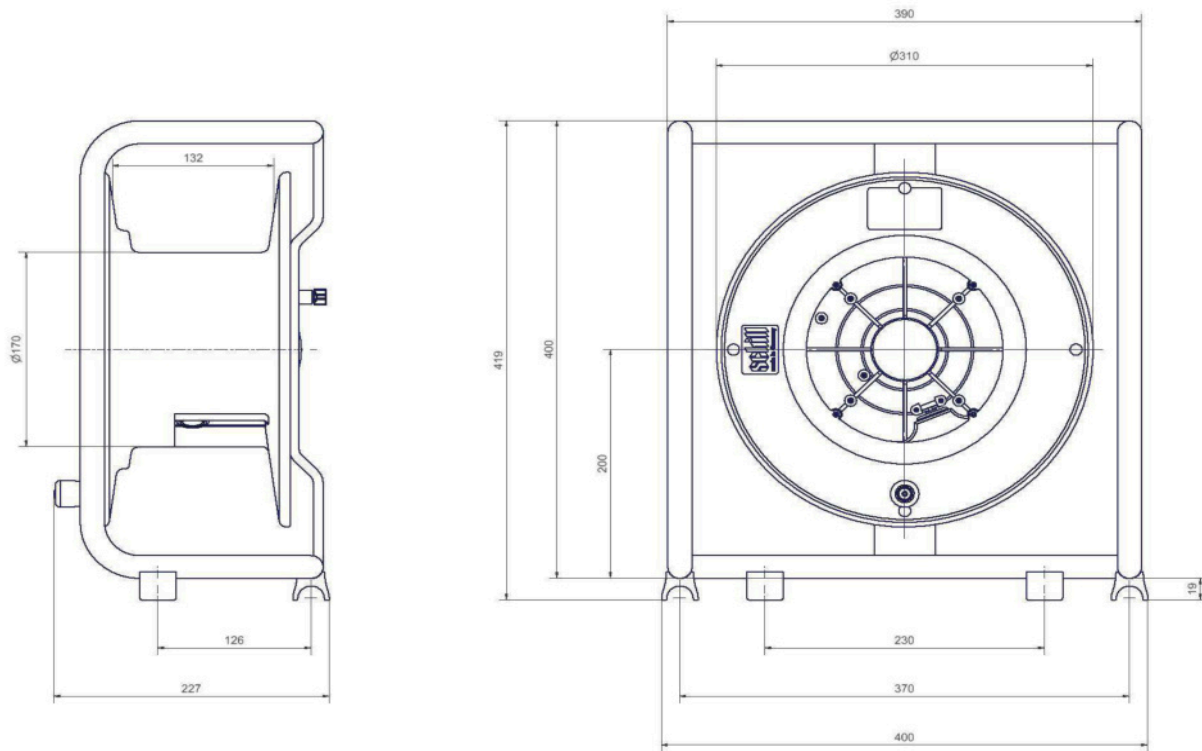


## SL 500

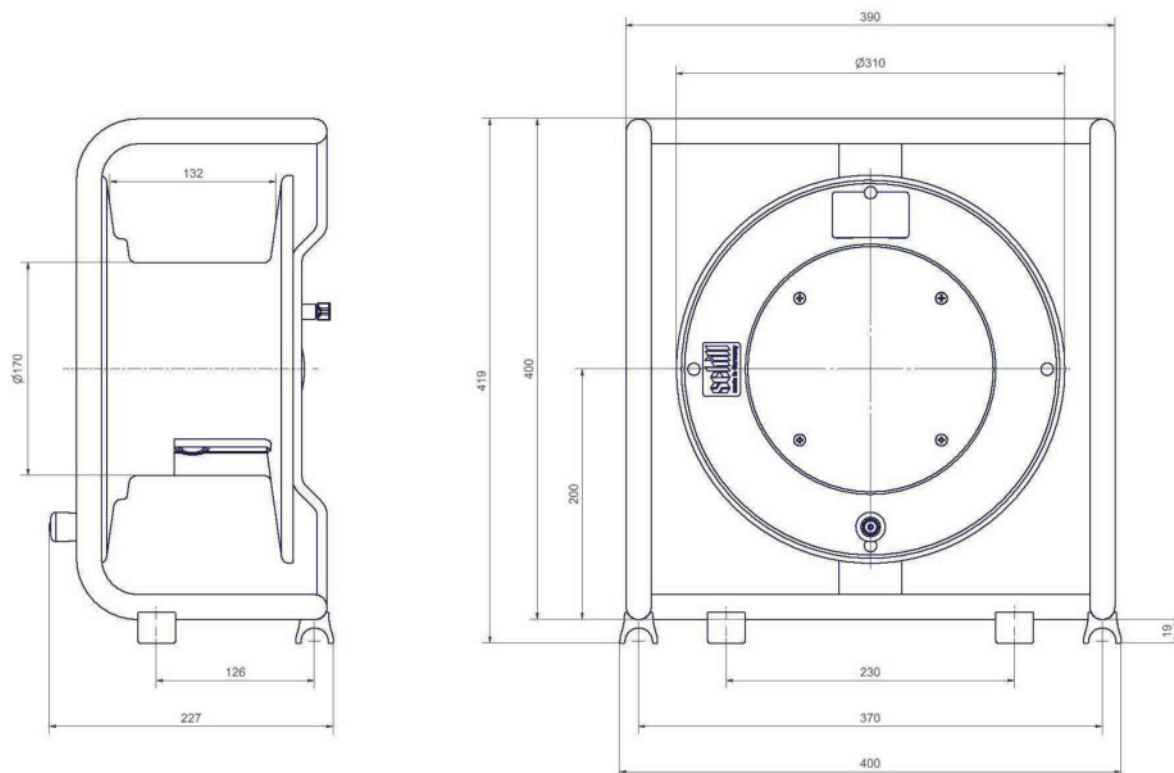


# Drum dimensions

## SK 310.OPEN

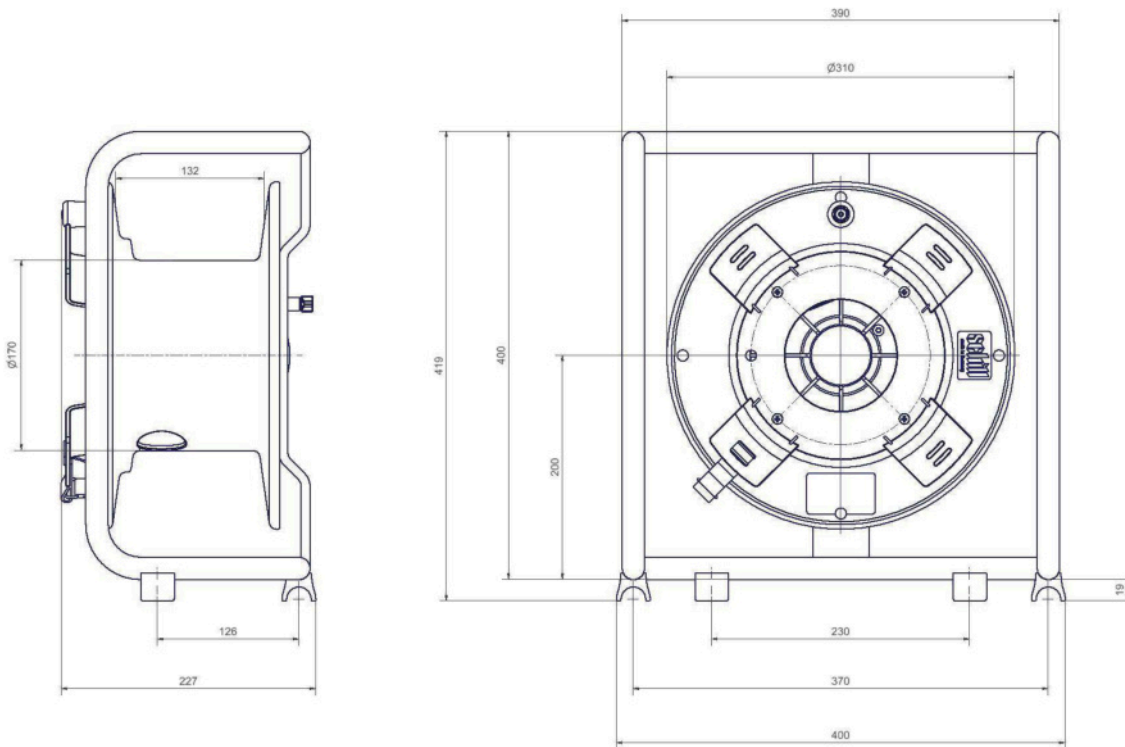


## SK 310.S0

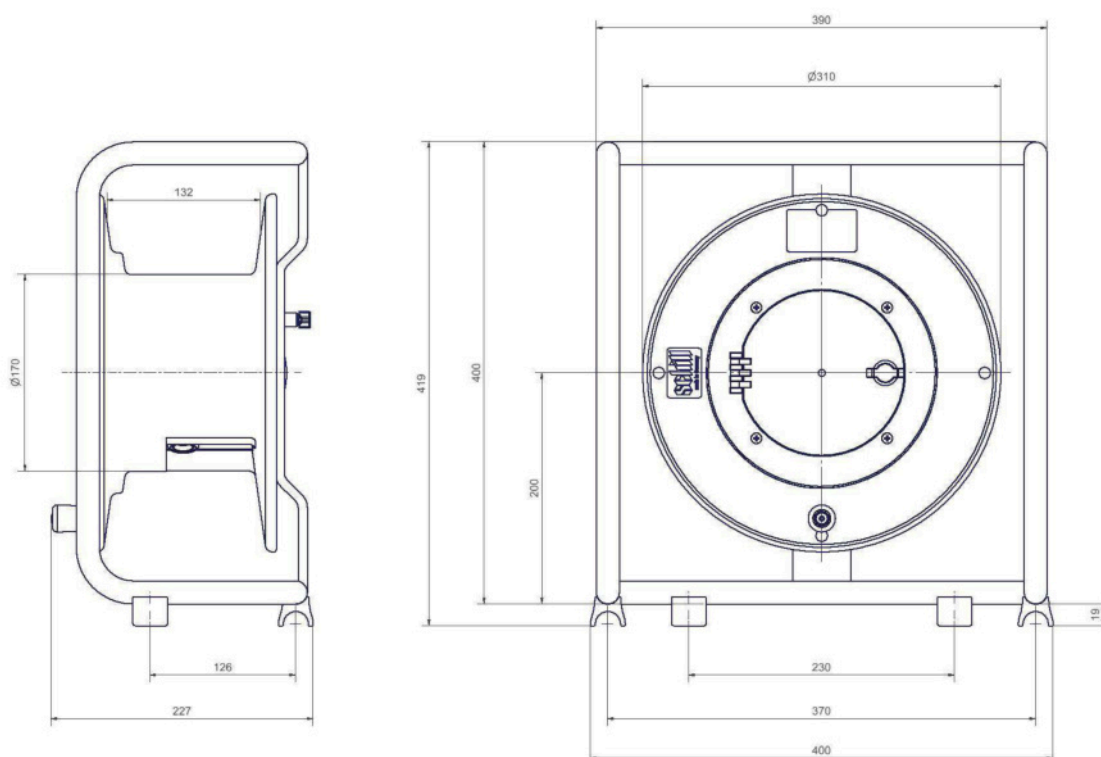


# Drum dimensions

## SK 310.RM



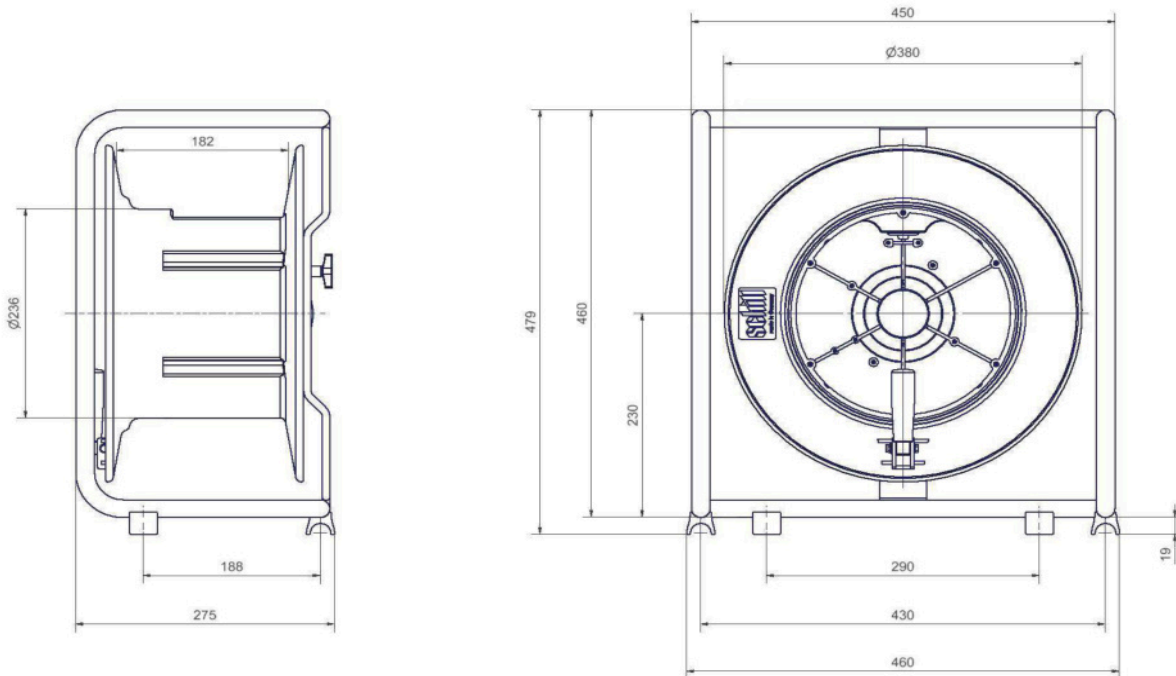
## SK 310.MFK



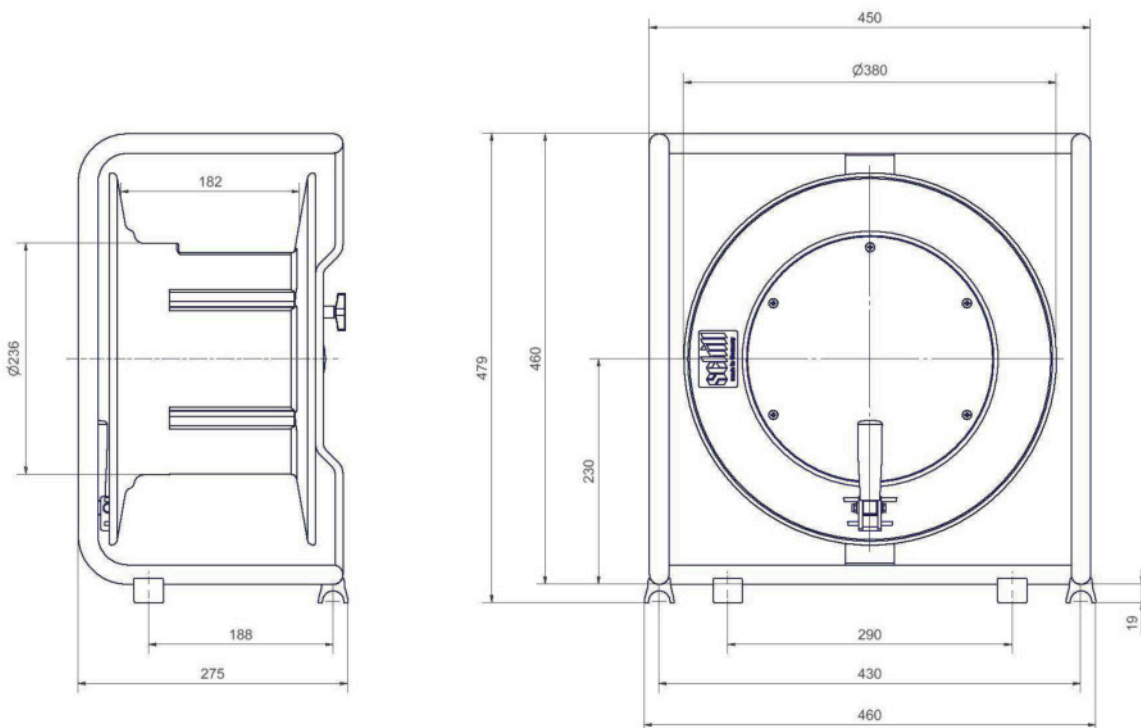


# Drum dimensions

## SK 380.OPEN

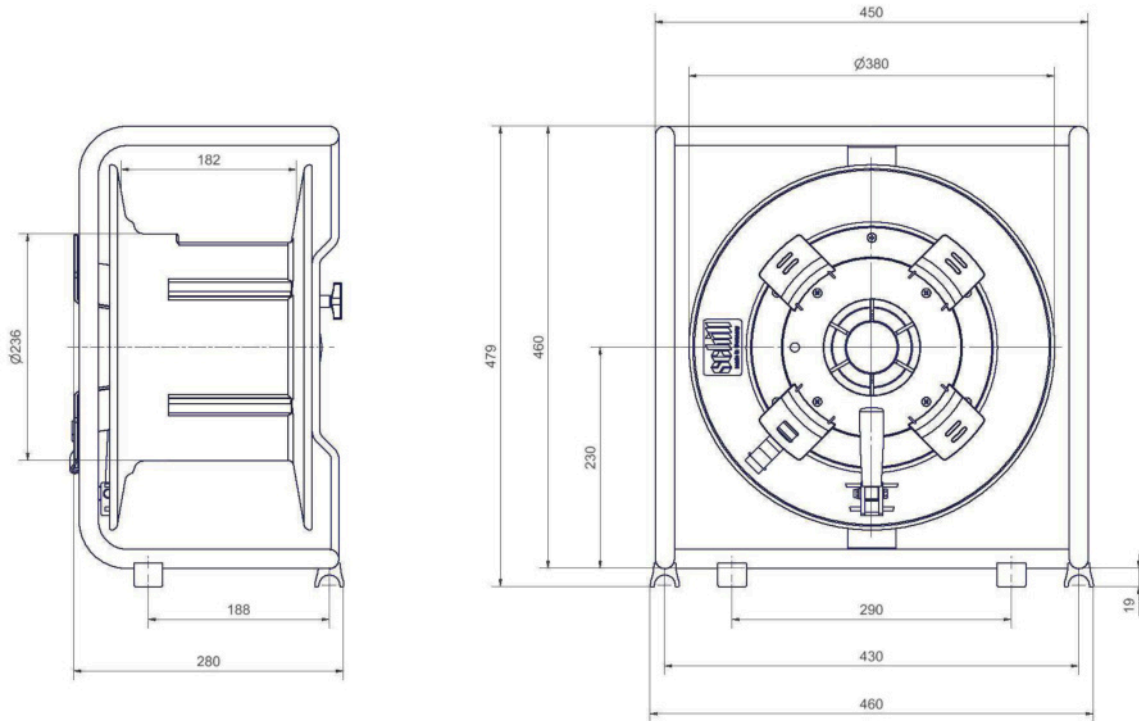


## SK 380.S0

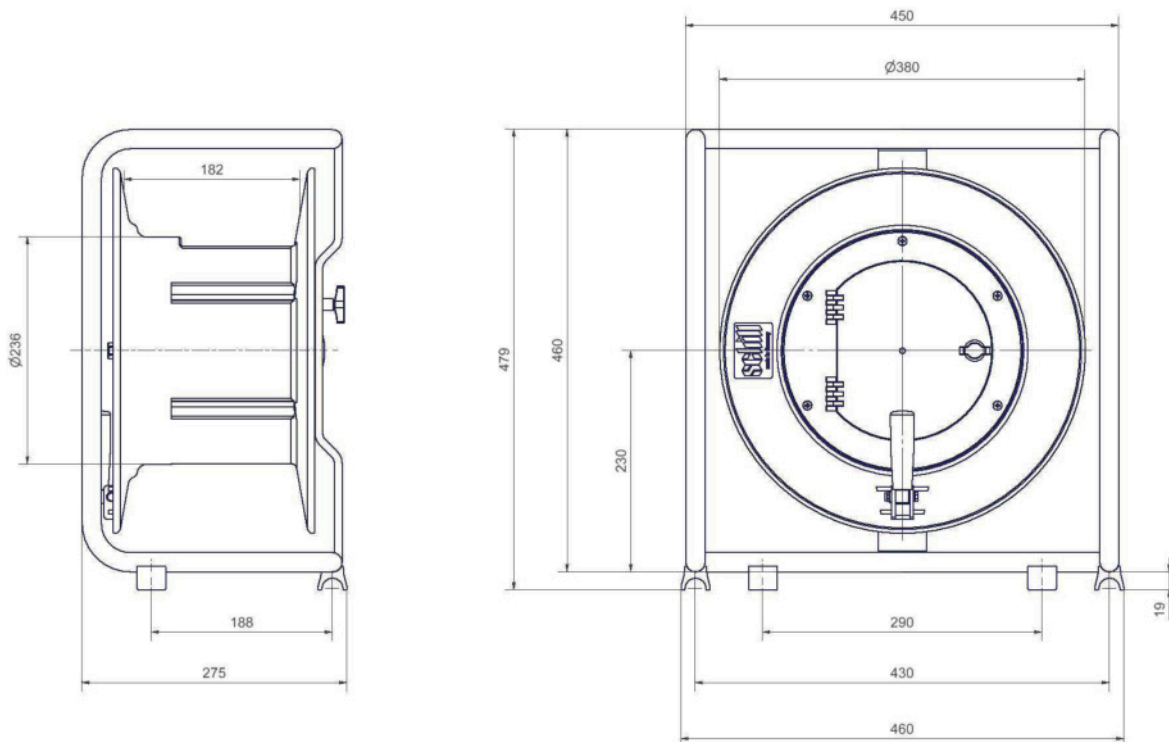


# Drum dimensions

## SK 380.RM

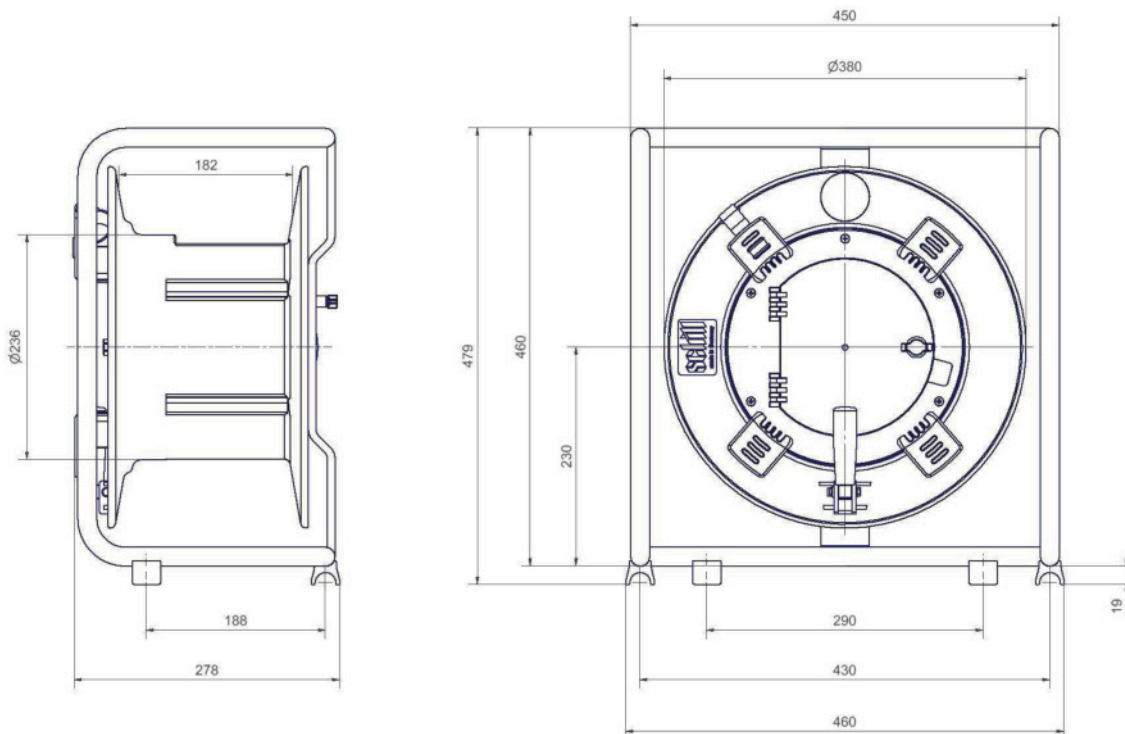


## SK 380.MFK

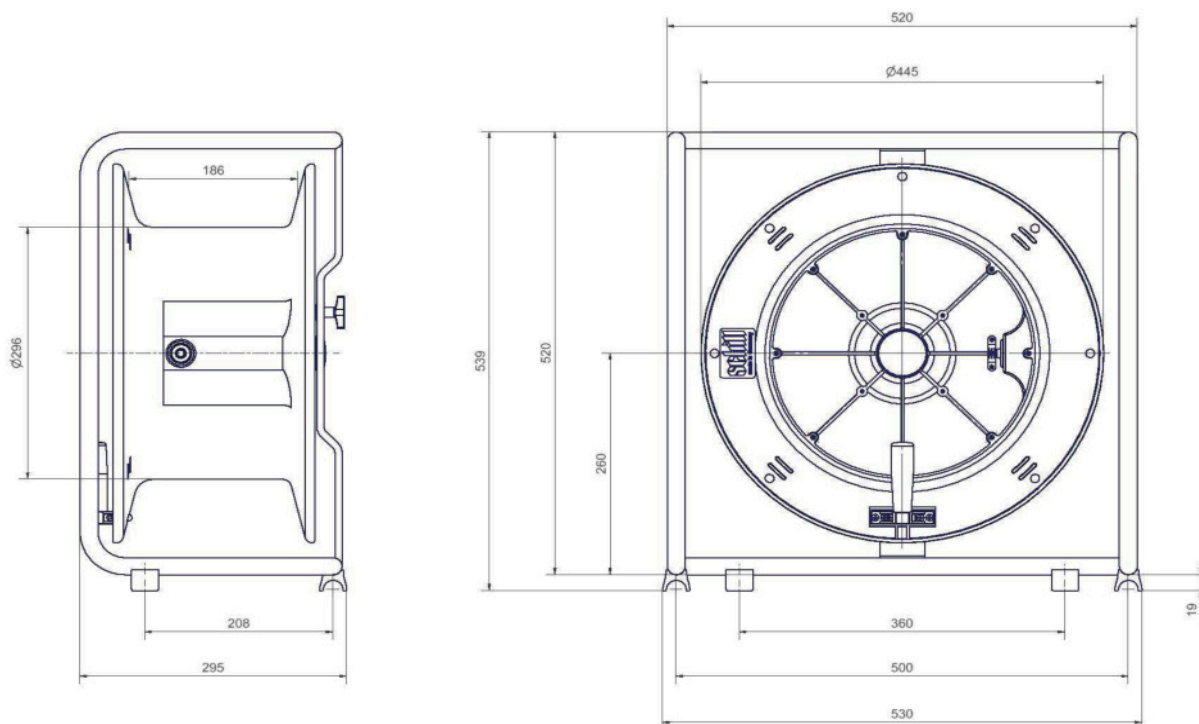


# Drum dimensions

## SK 380.RMFK

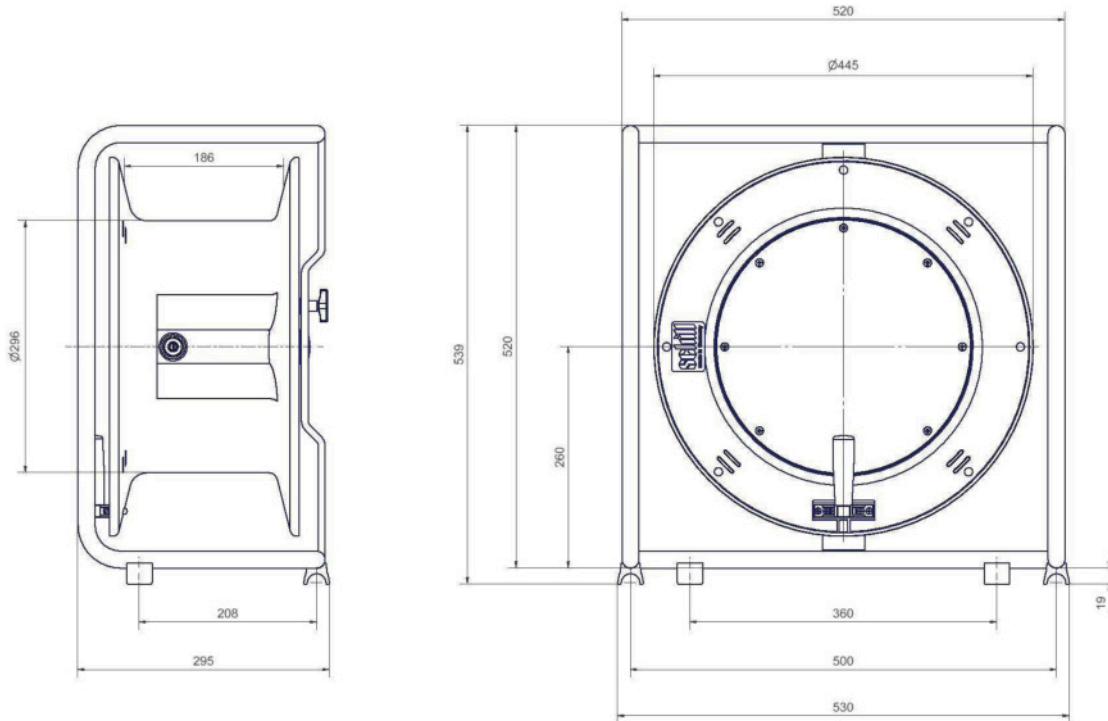


## SK 450.OPEN

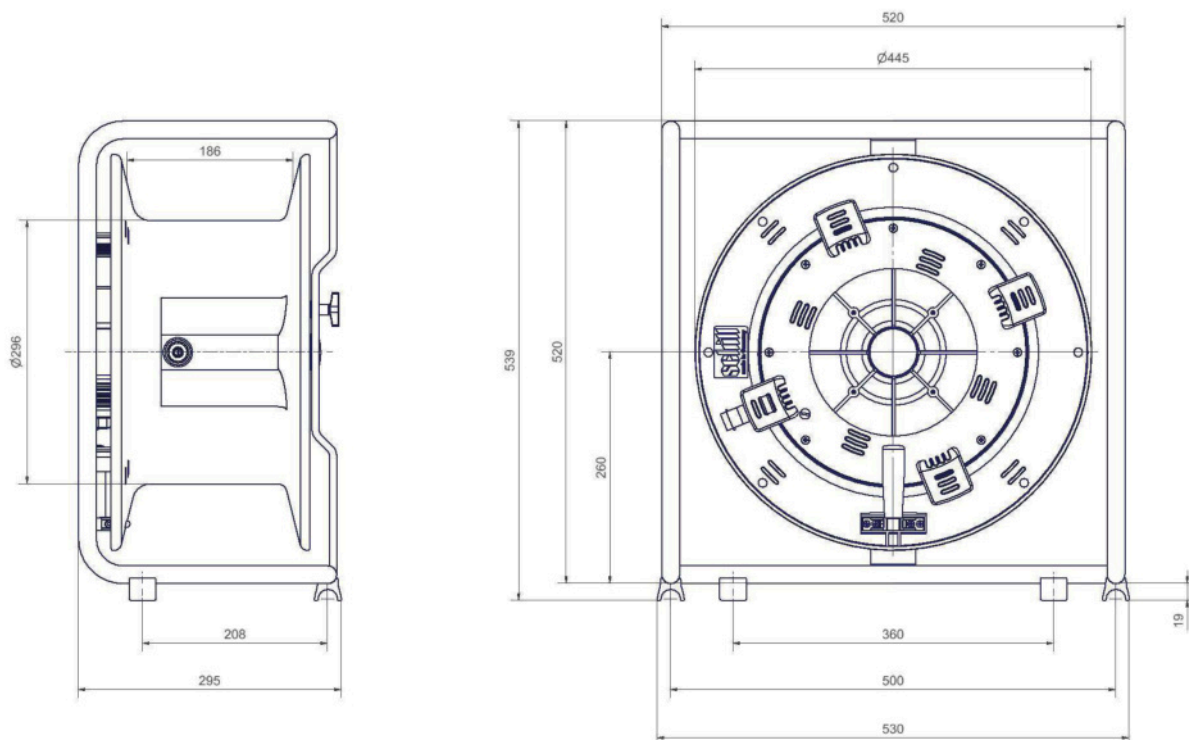


# Drum dimensions

## SK 450.S0

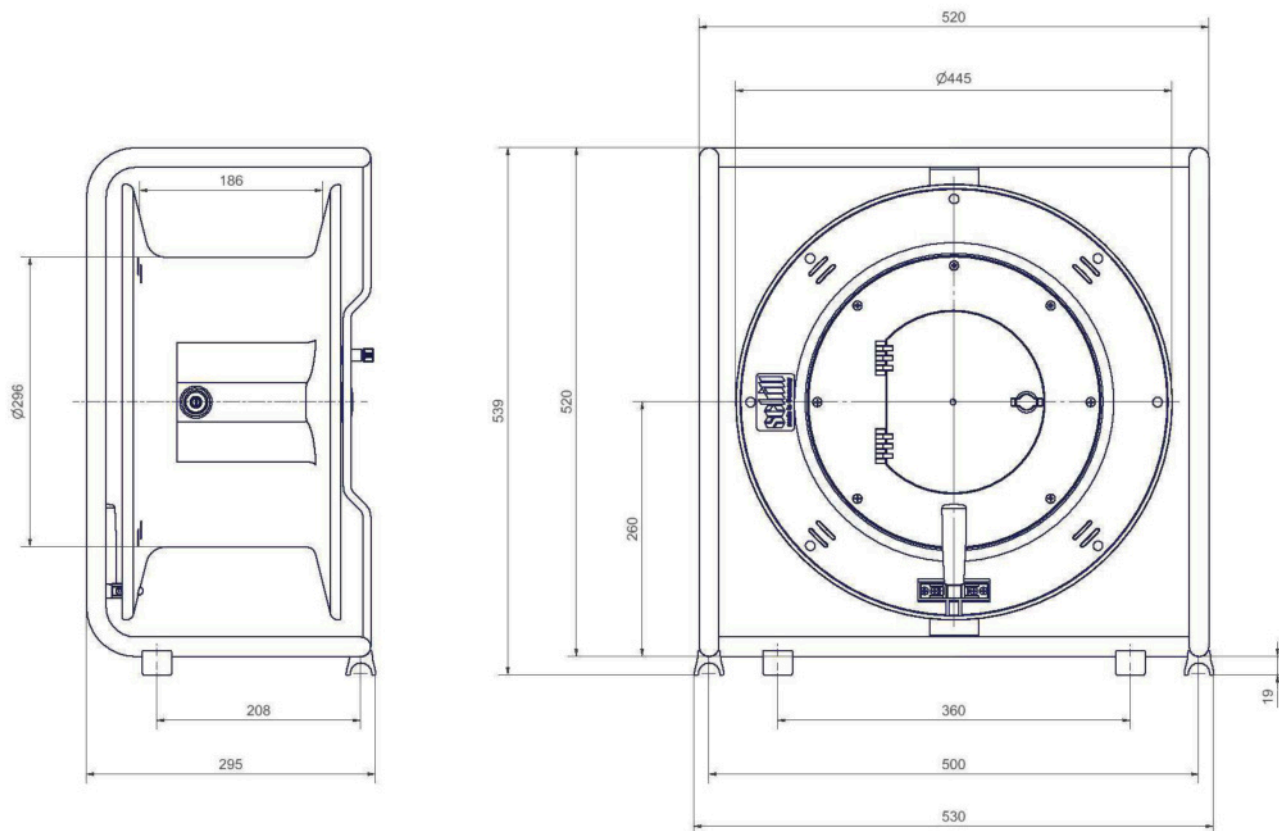


## SK 450.RM

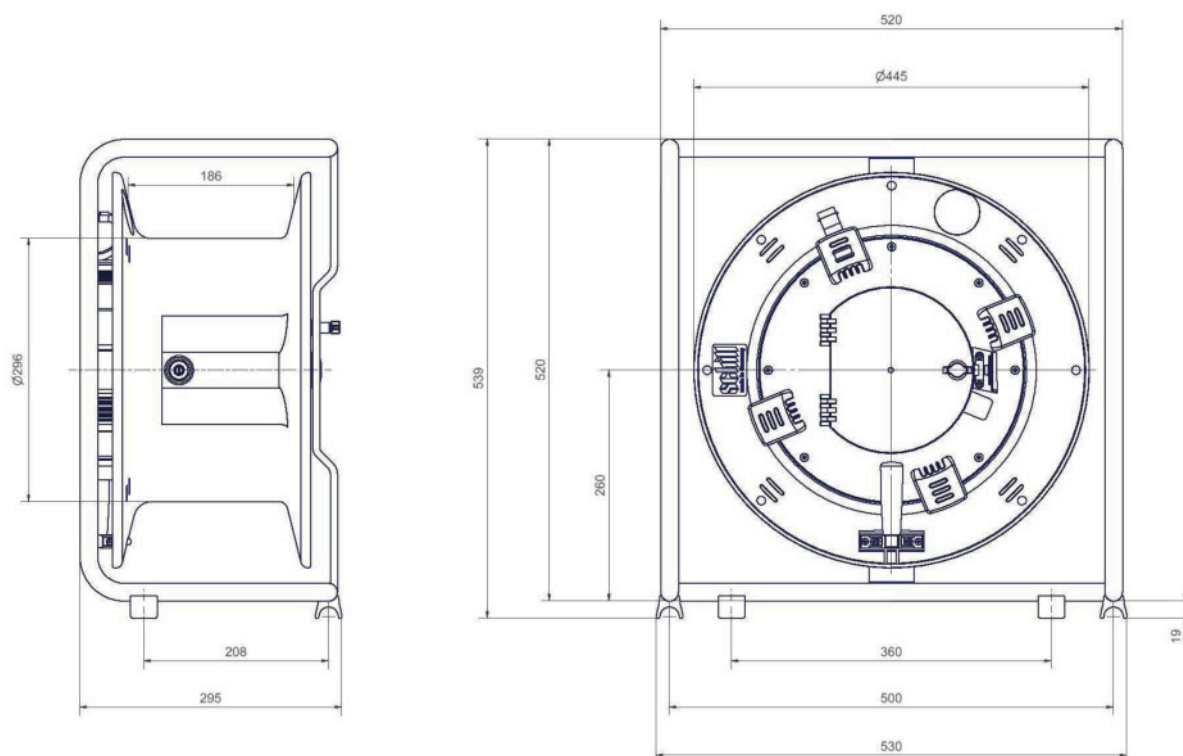


# Drum dimensions

## SK 450.MFK

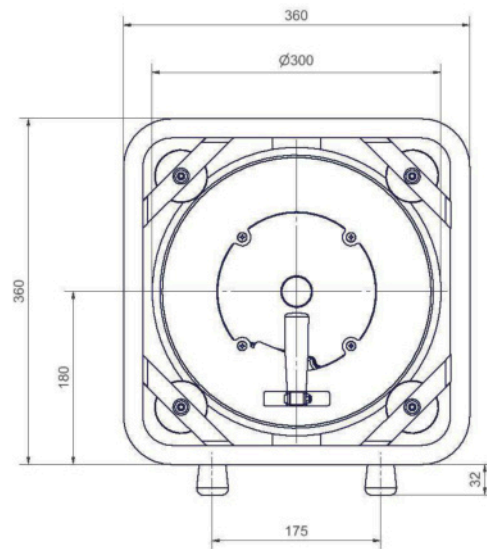
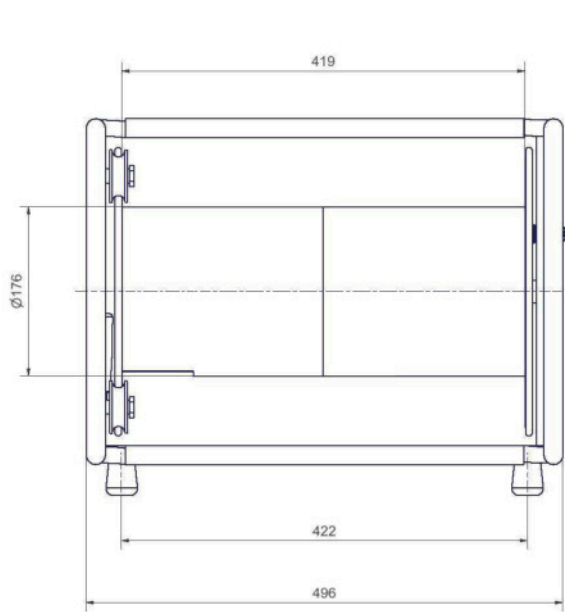


## SK 450.RMFK

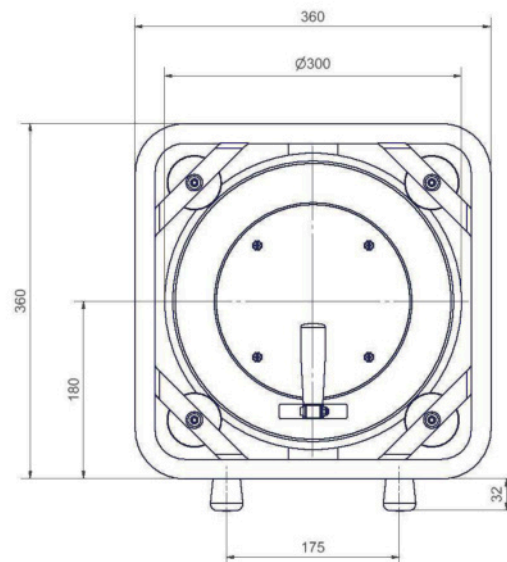
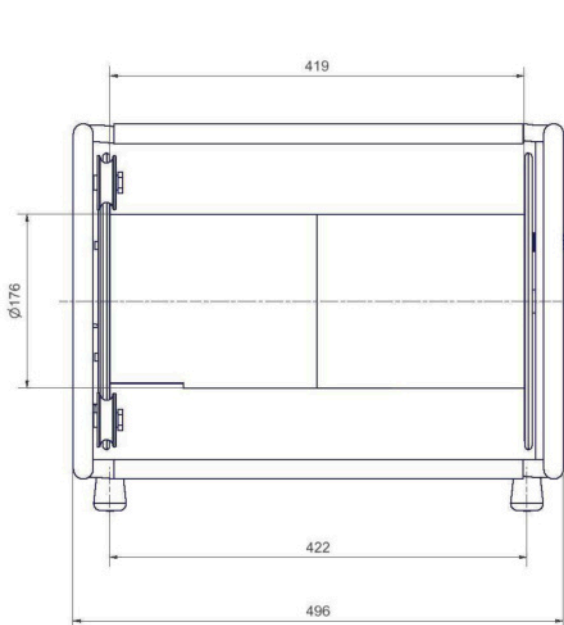


# Drum dimensions

## SK 302.OPEN

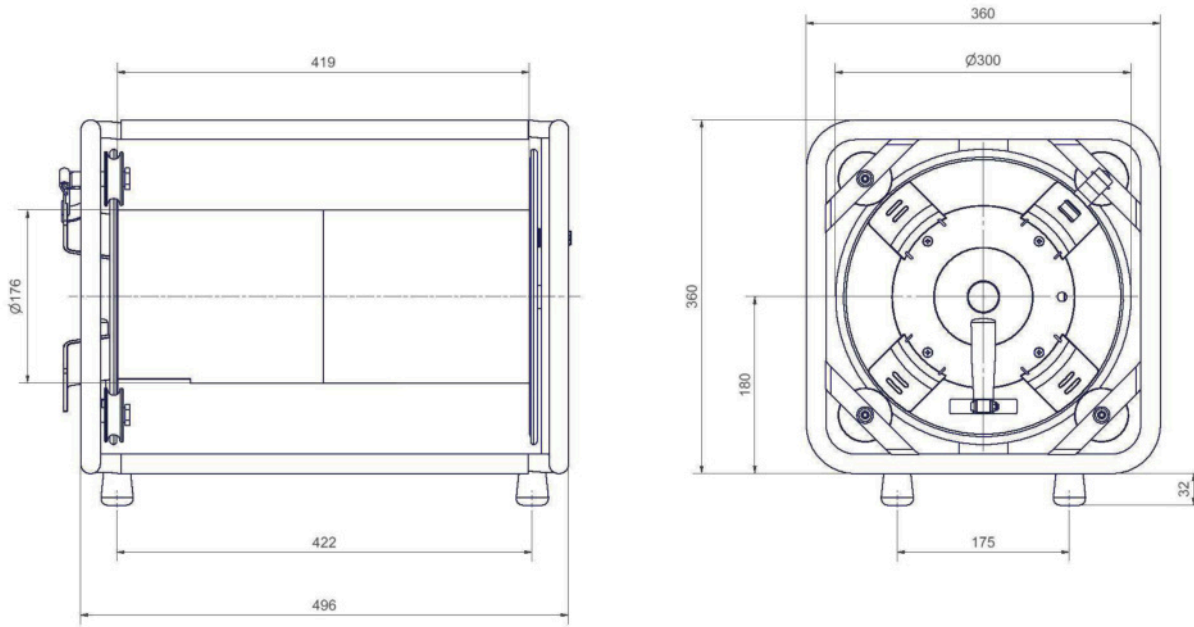


## SK 302.S0

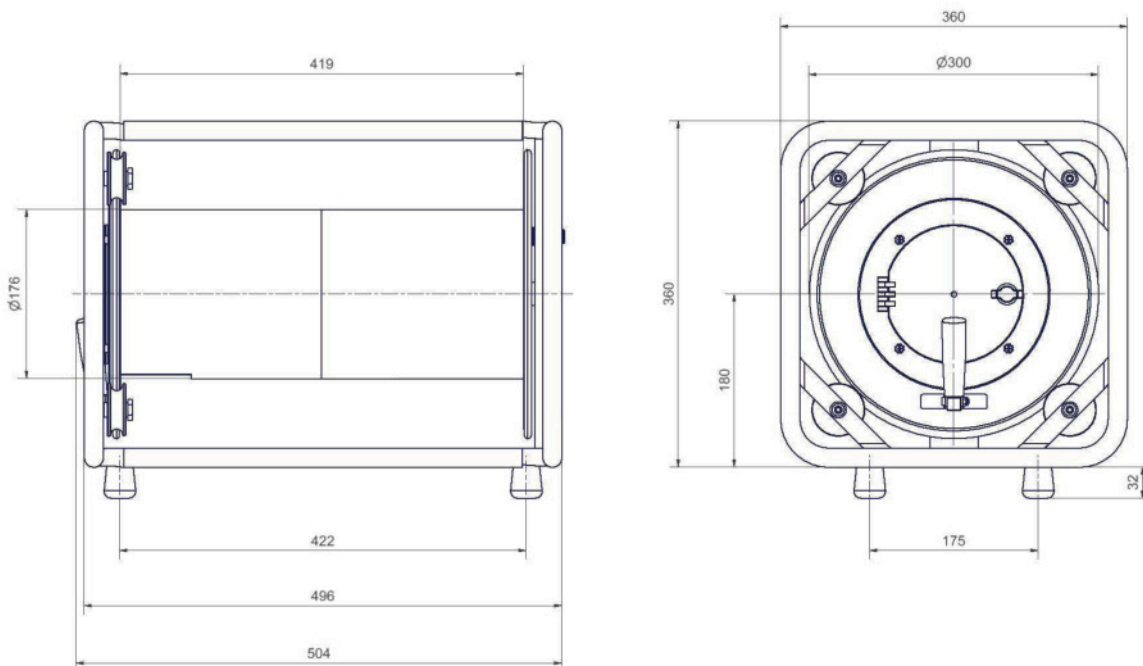


# Drum dimensions

## SK 302.RM

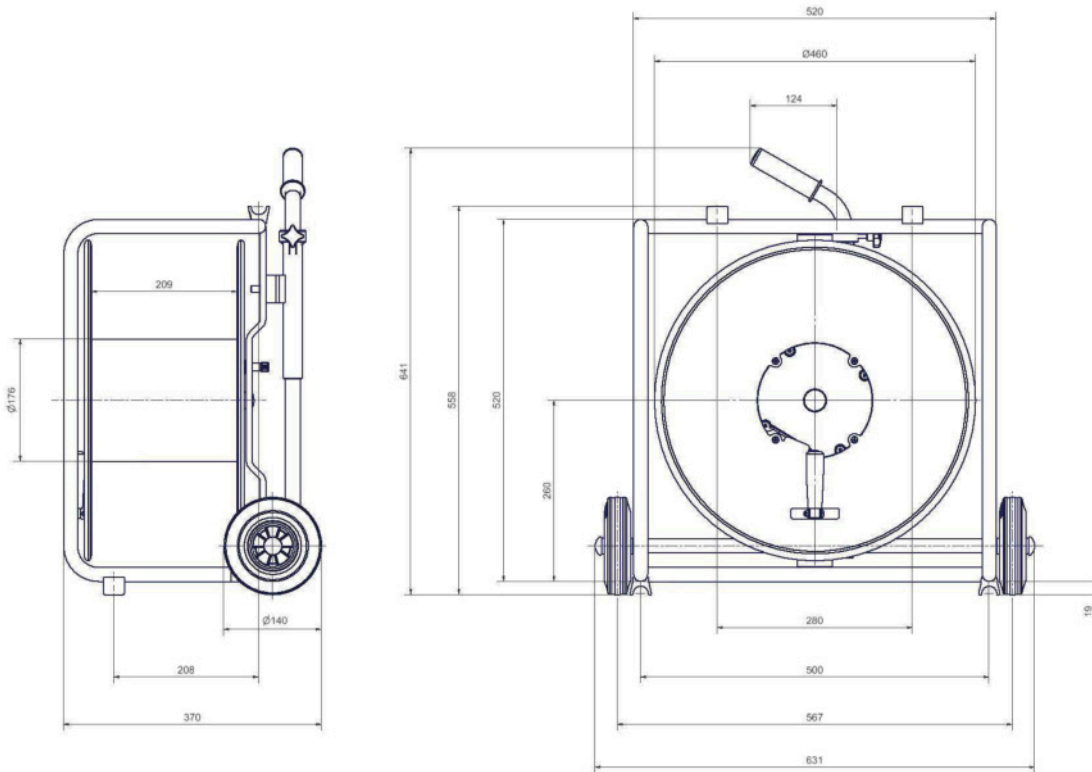


## SK 302.MFK

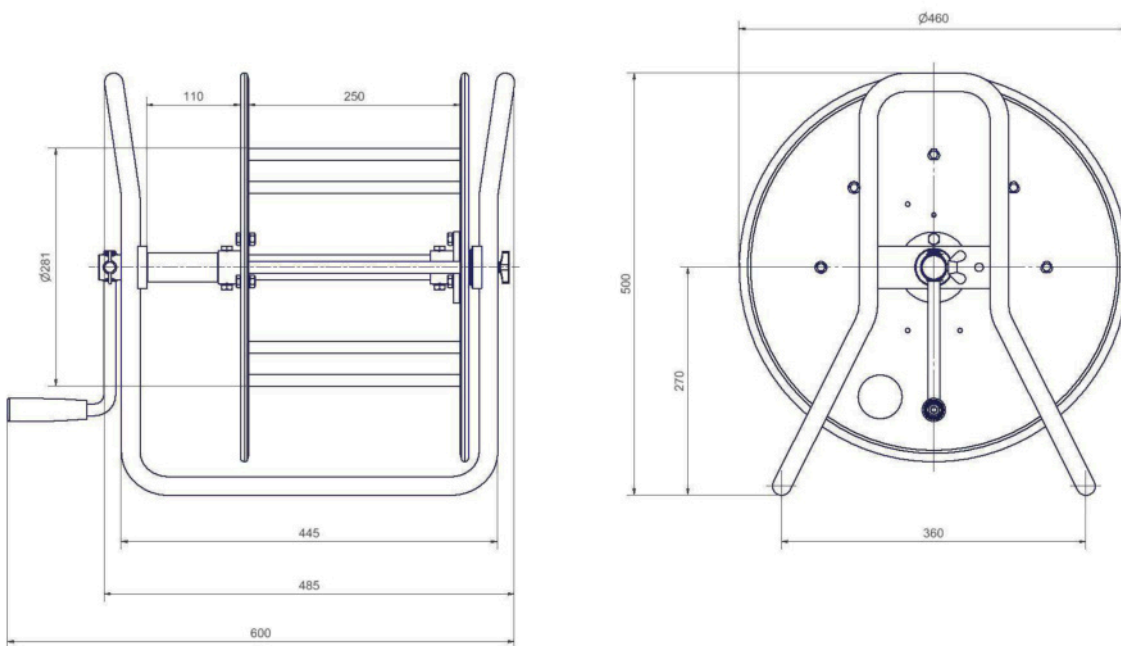


# Drum dimensions

## FSK 485.OPEN



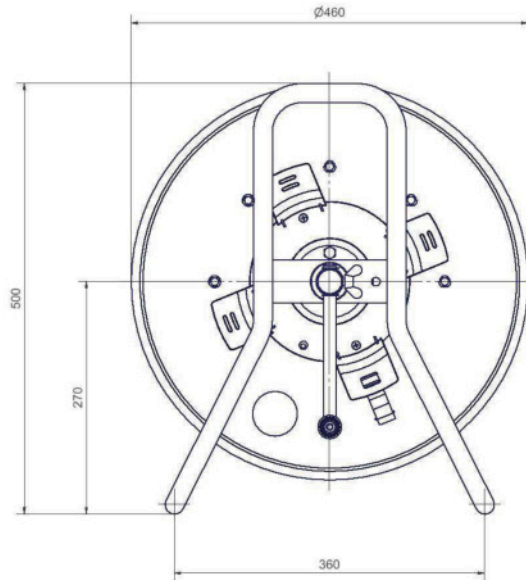
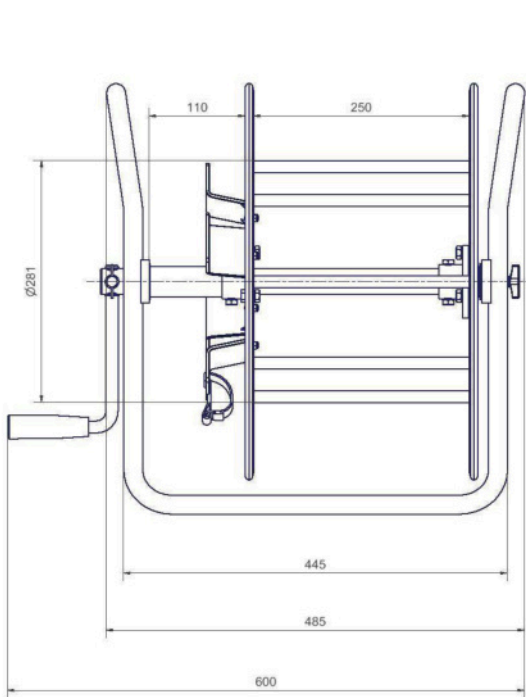
## SK 4600.S0



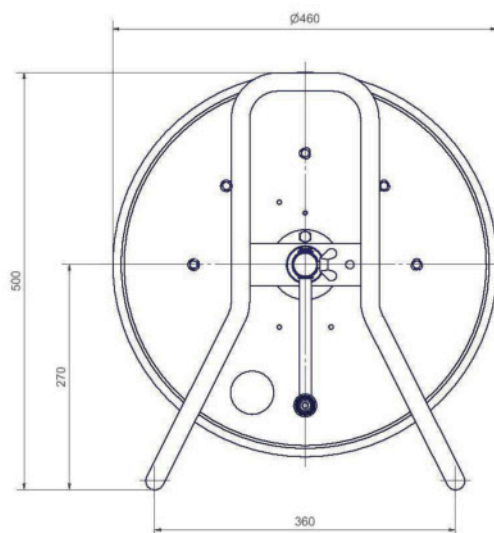
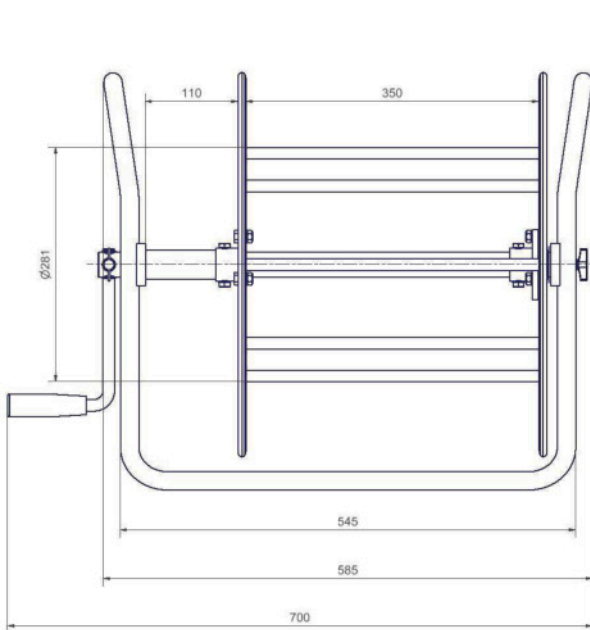


# Drum dimensions

## SK 4600.RM

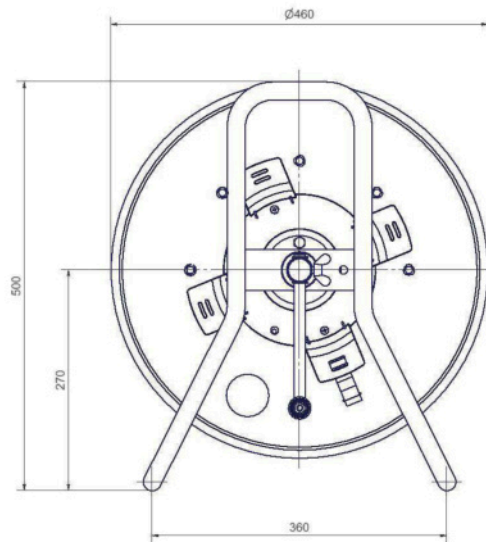
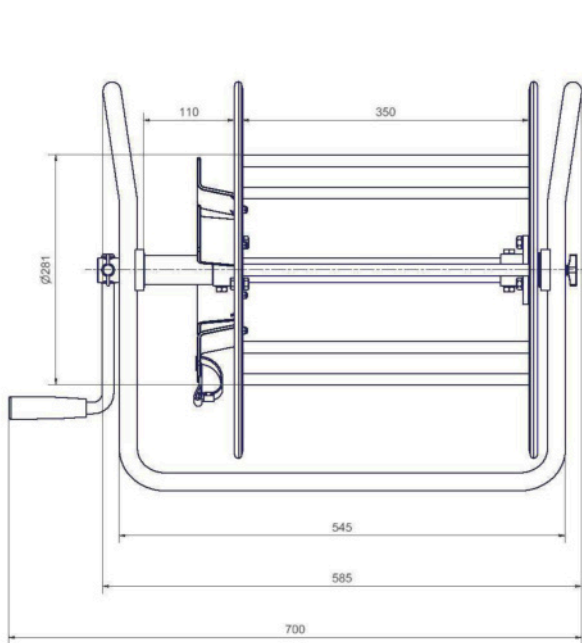


## SK 4601.S0

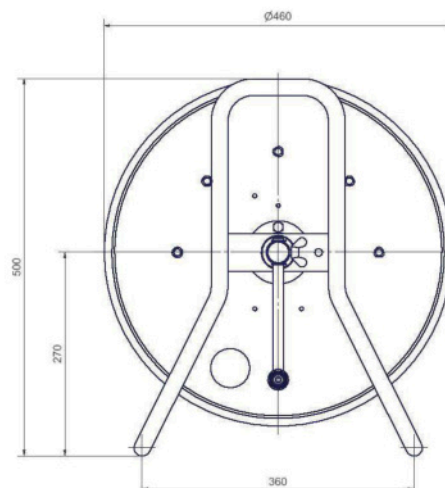
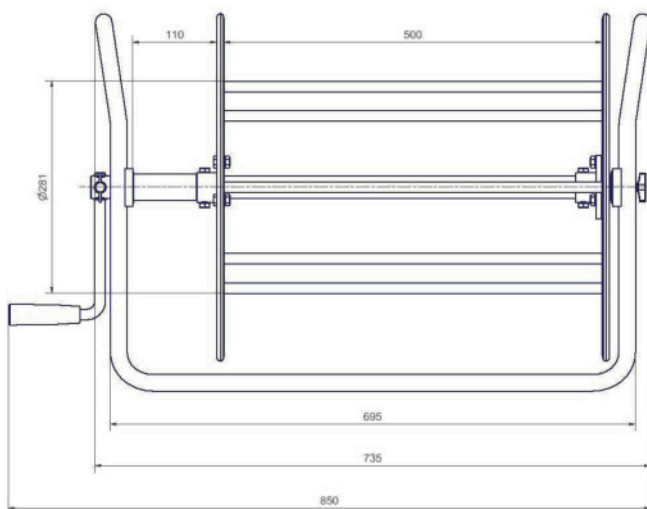


# Drum dimensions

## SK 4601.RM

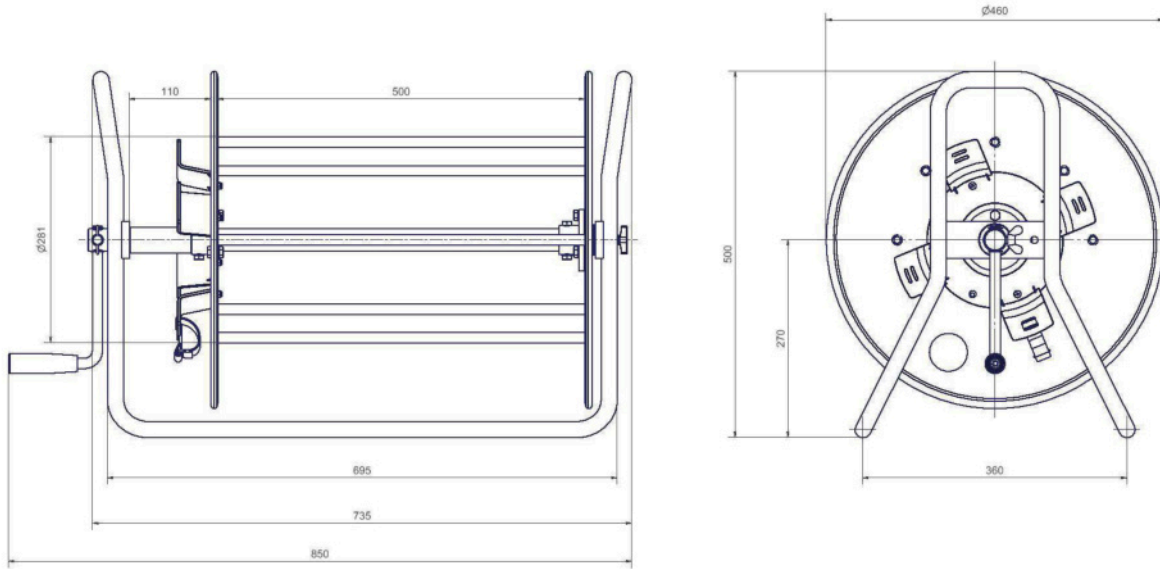


## SK 4602.S0

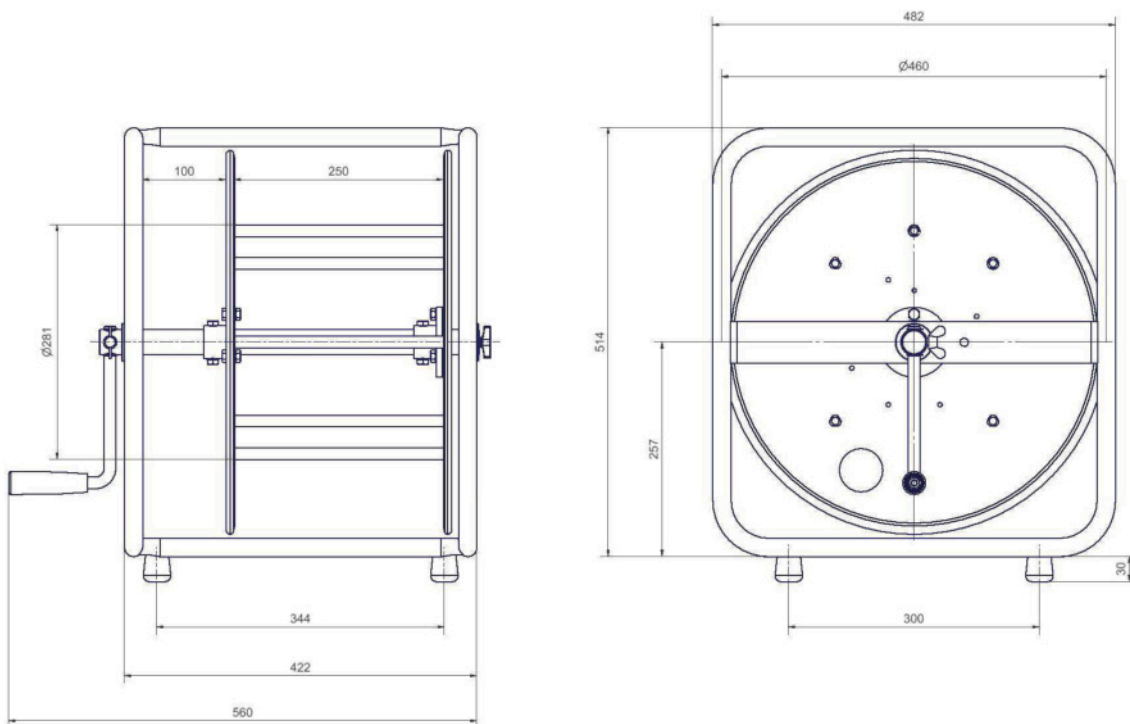


# Drum dimensions

## SK 4602.RM

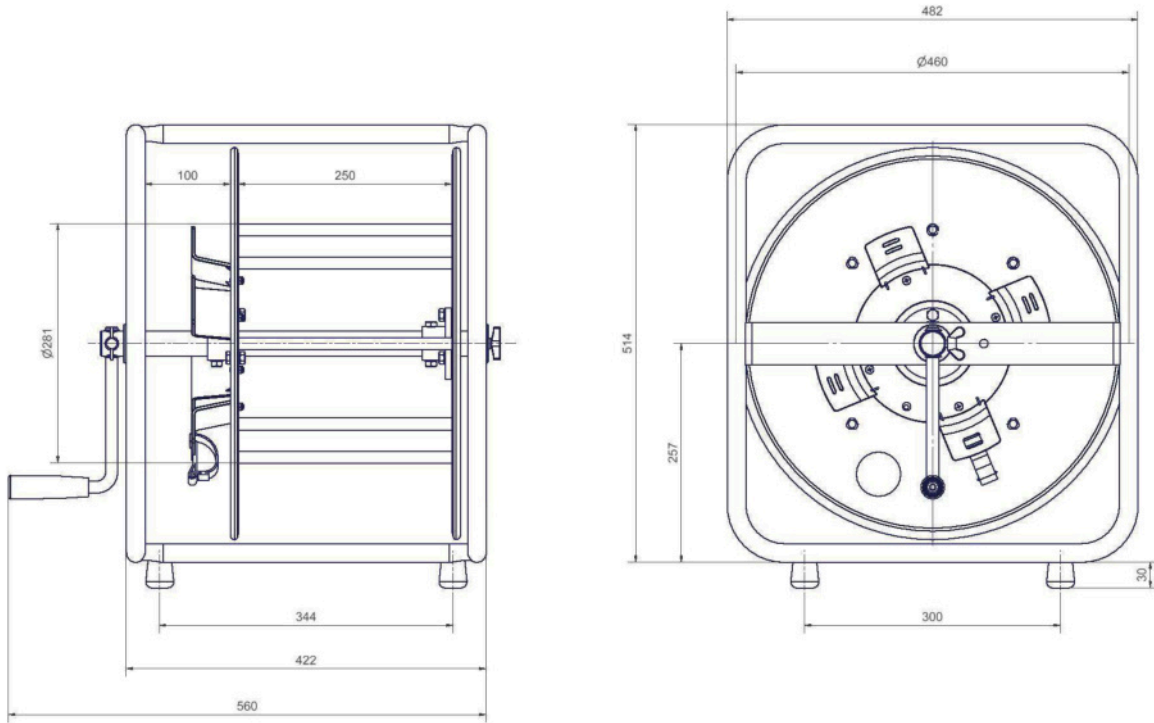


## SK 4700.S0

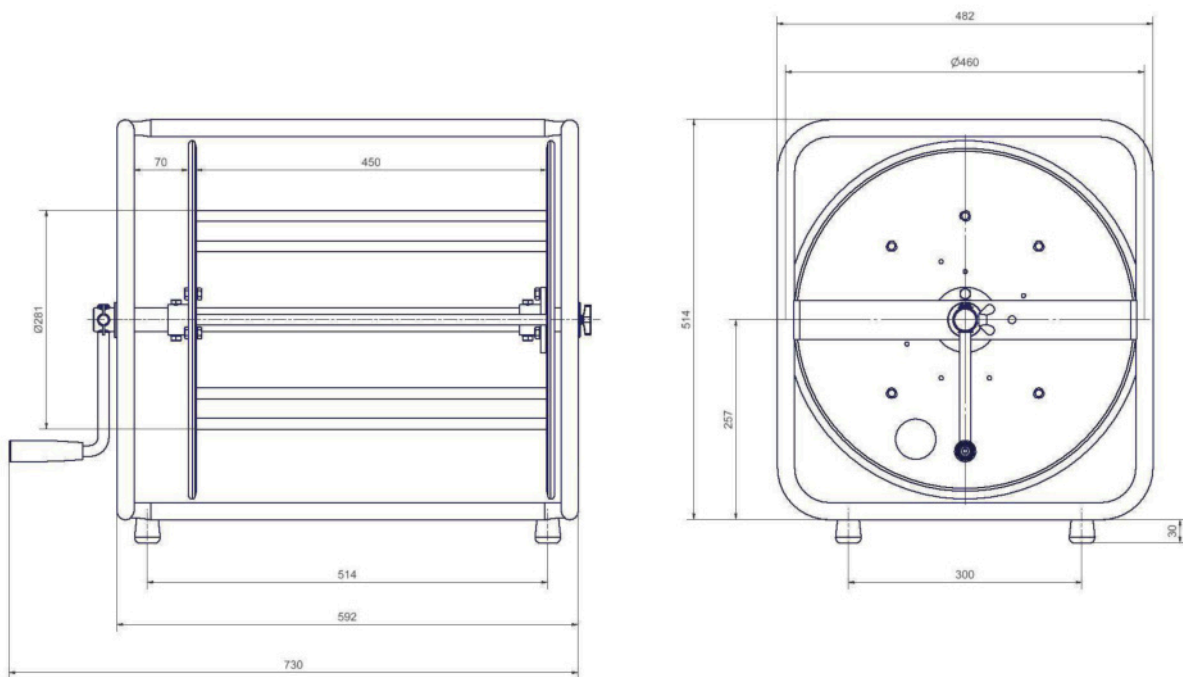


# Drum dimensions

## SK 4700.RM

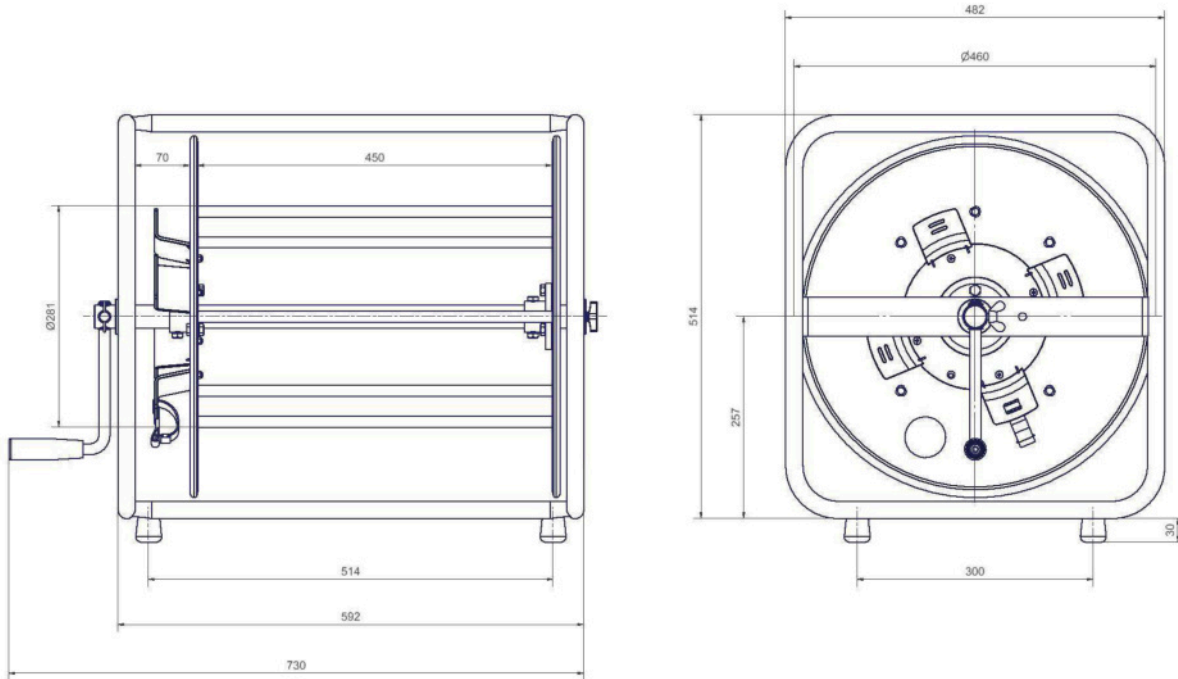


## SK 4701.S0

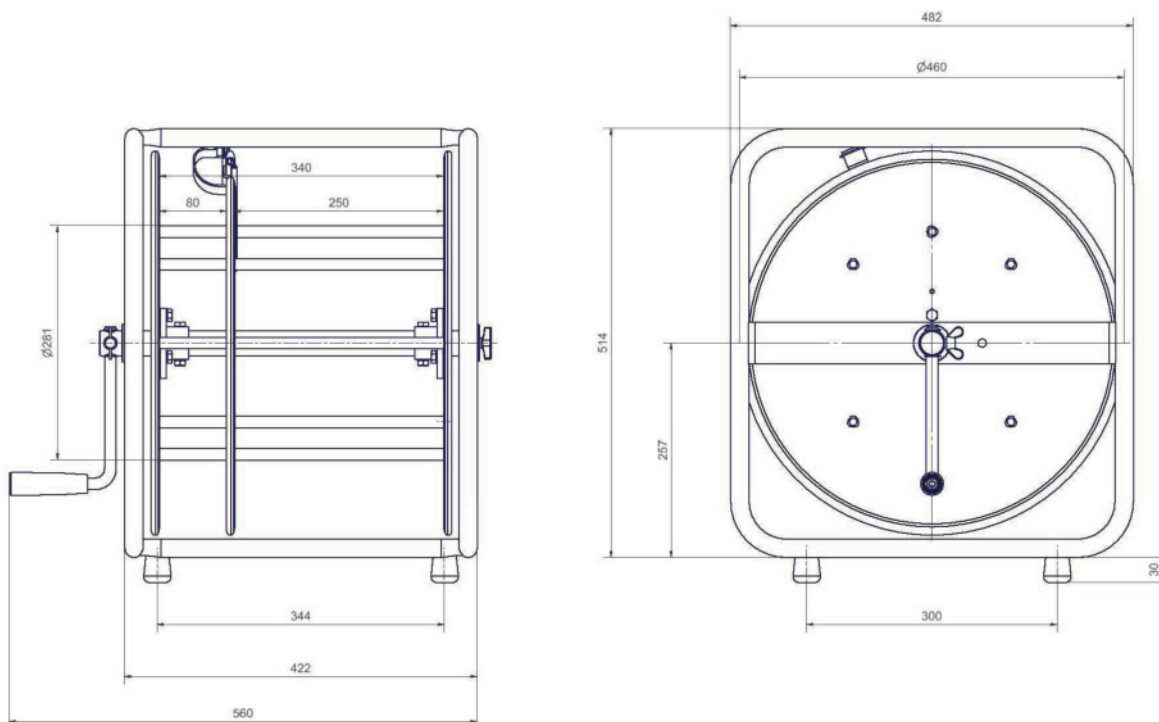


# Drum dimensions

## SK 4701.RM

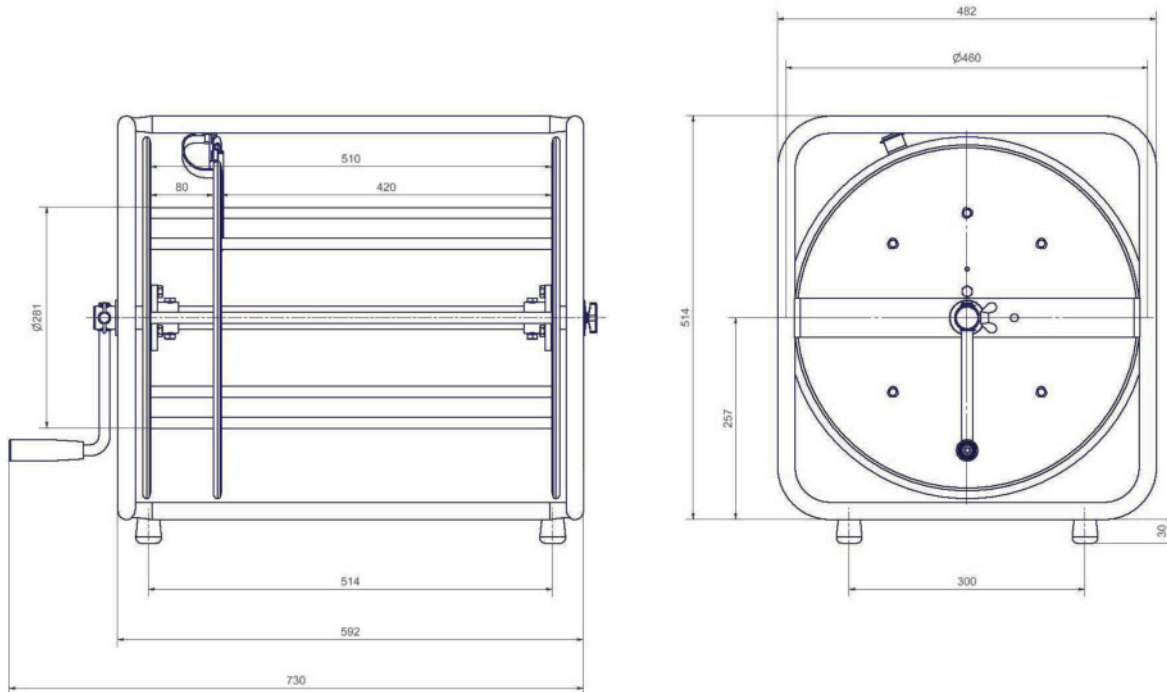


## SK 4730.S0

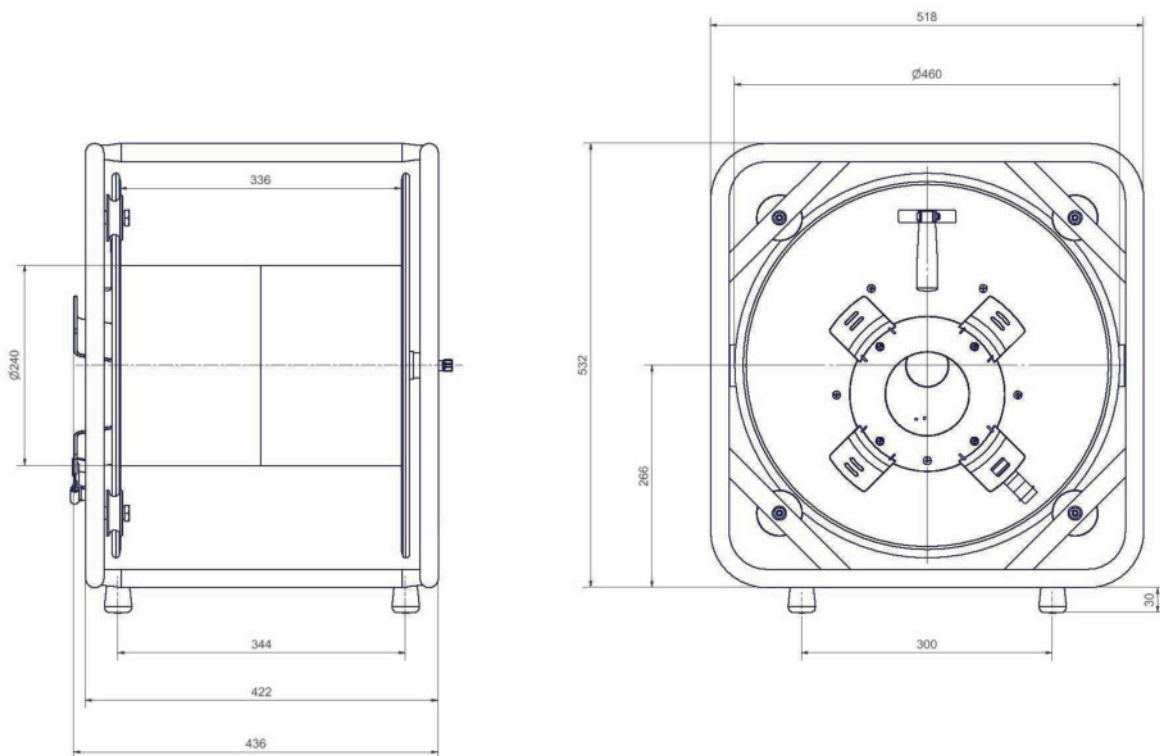


# Drum dimensions

## SK 4731.S0

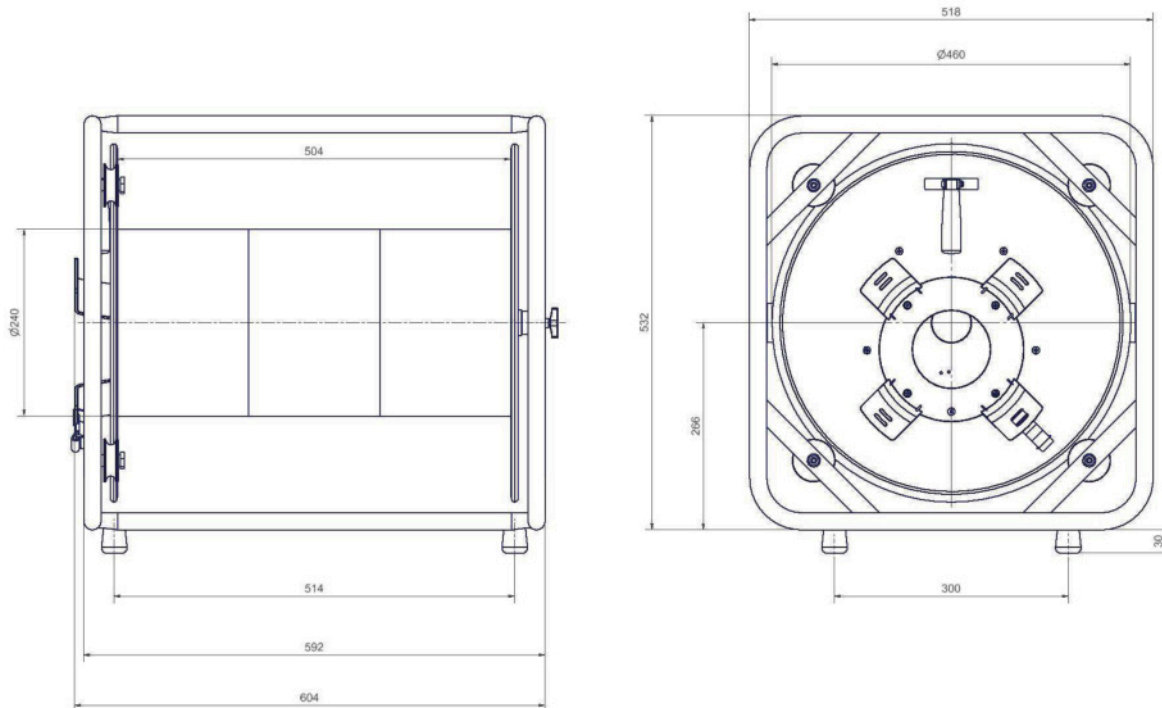


## SK 4812.RM

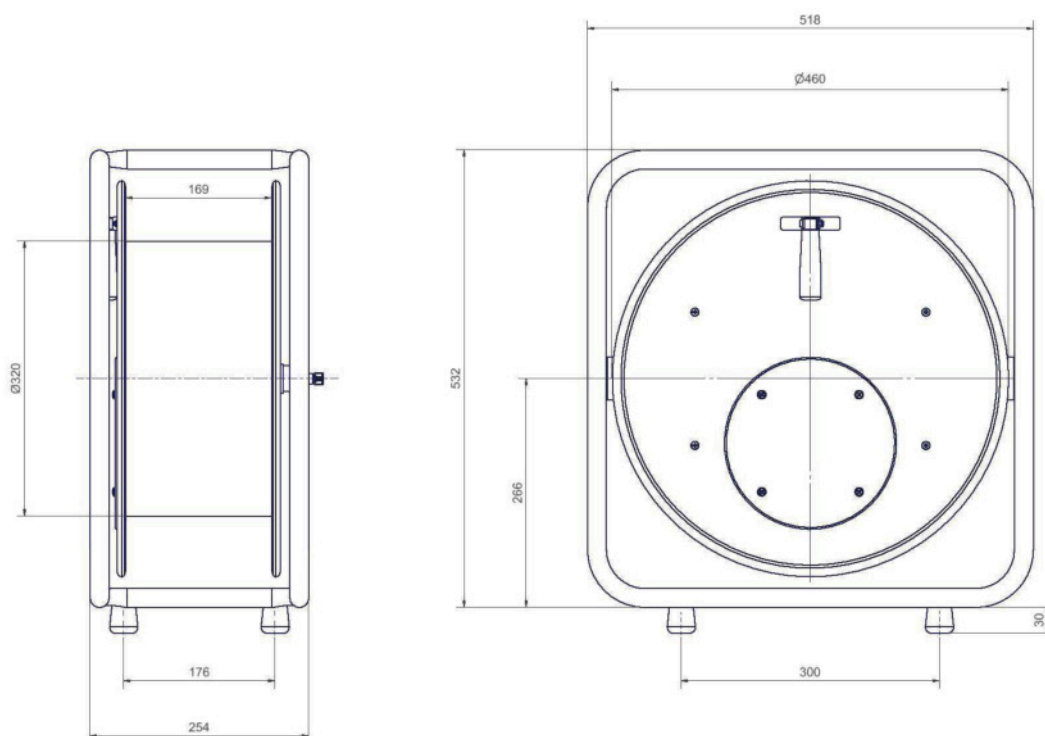


# Drum dimensions

## SK 4813.RM

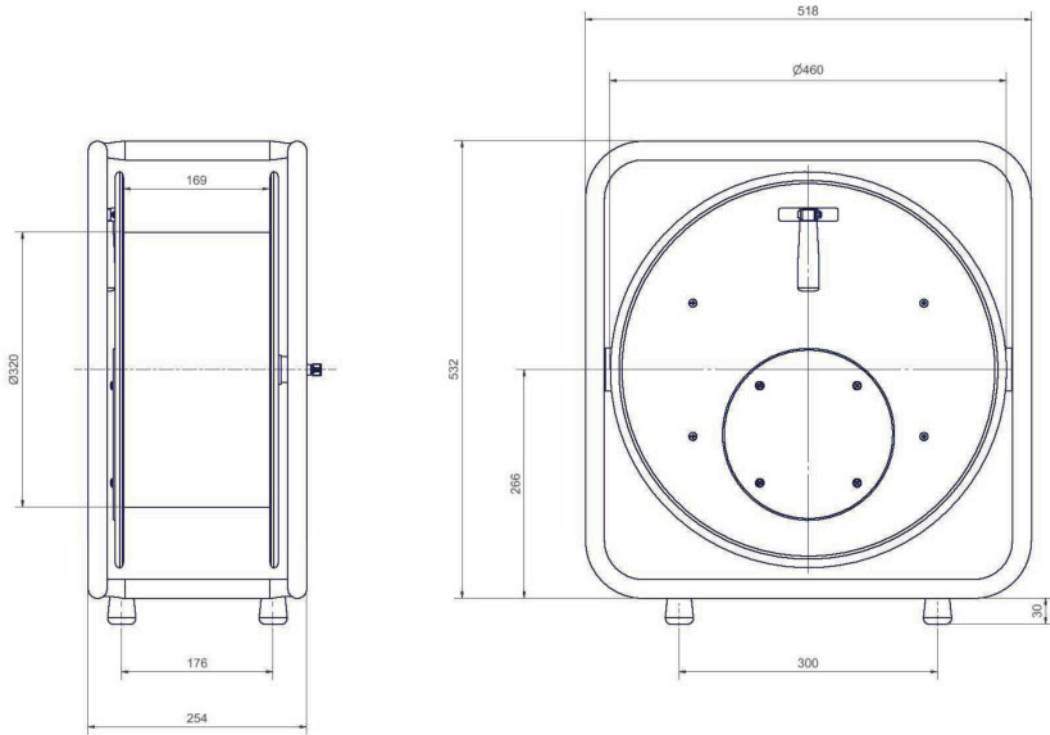


## SK 4821.S0

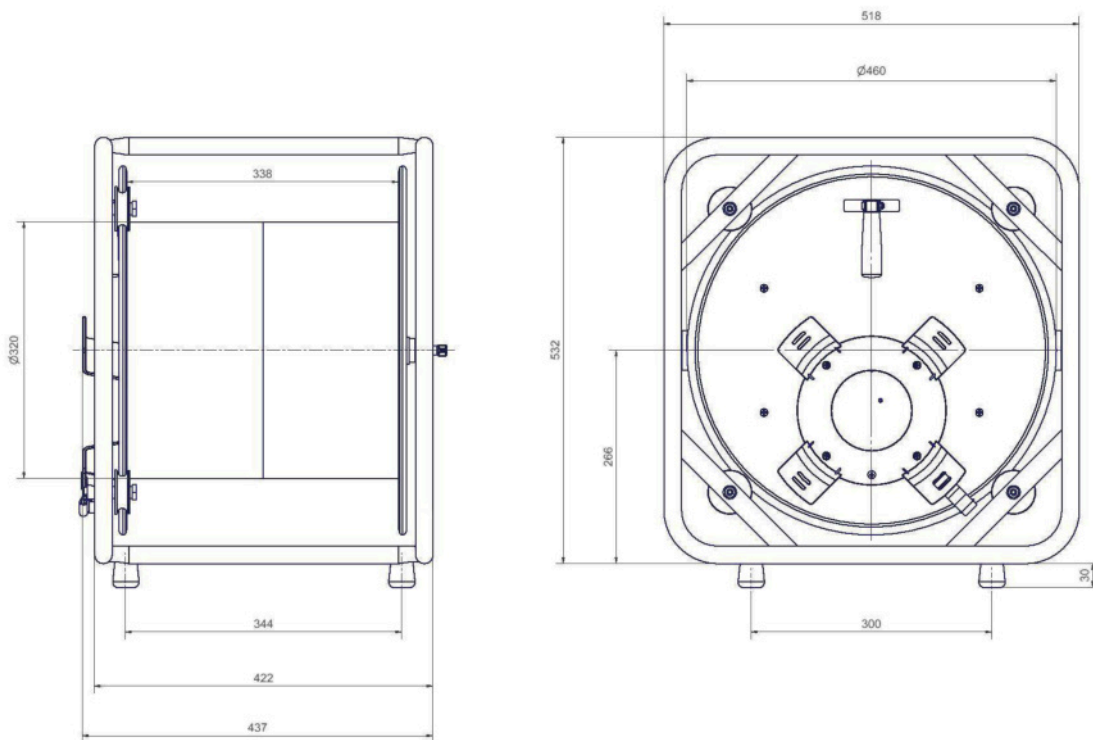


# Drum dimensions

## SK 4822.S0



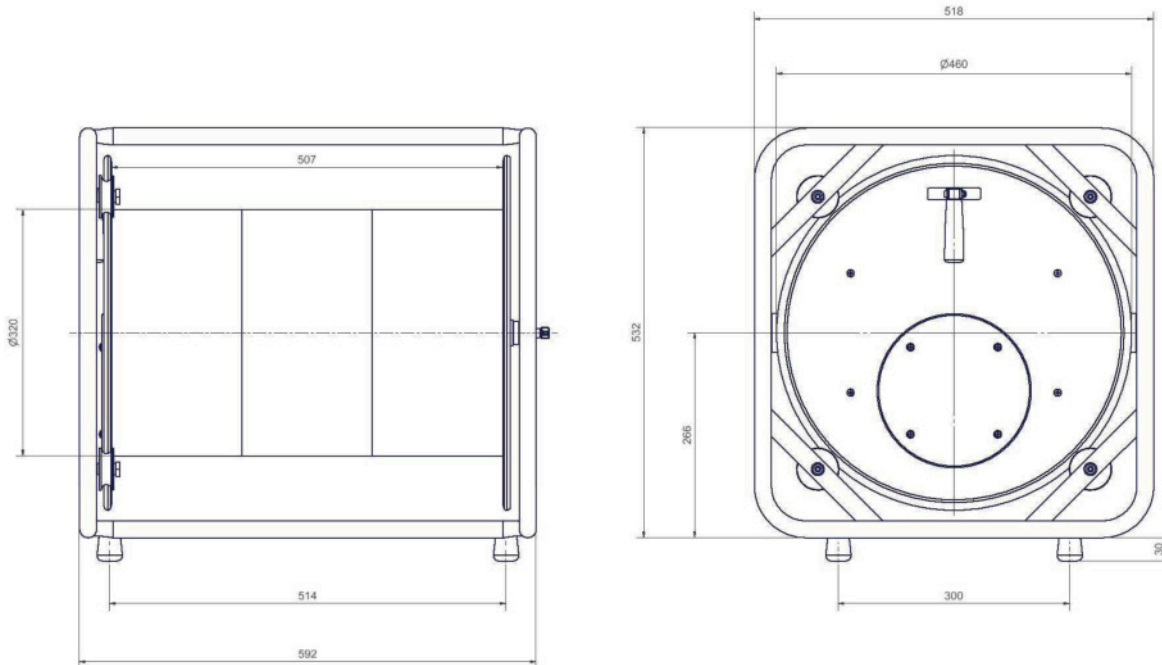
## SK 4822.RM



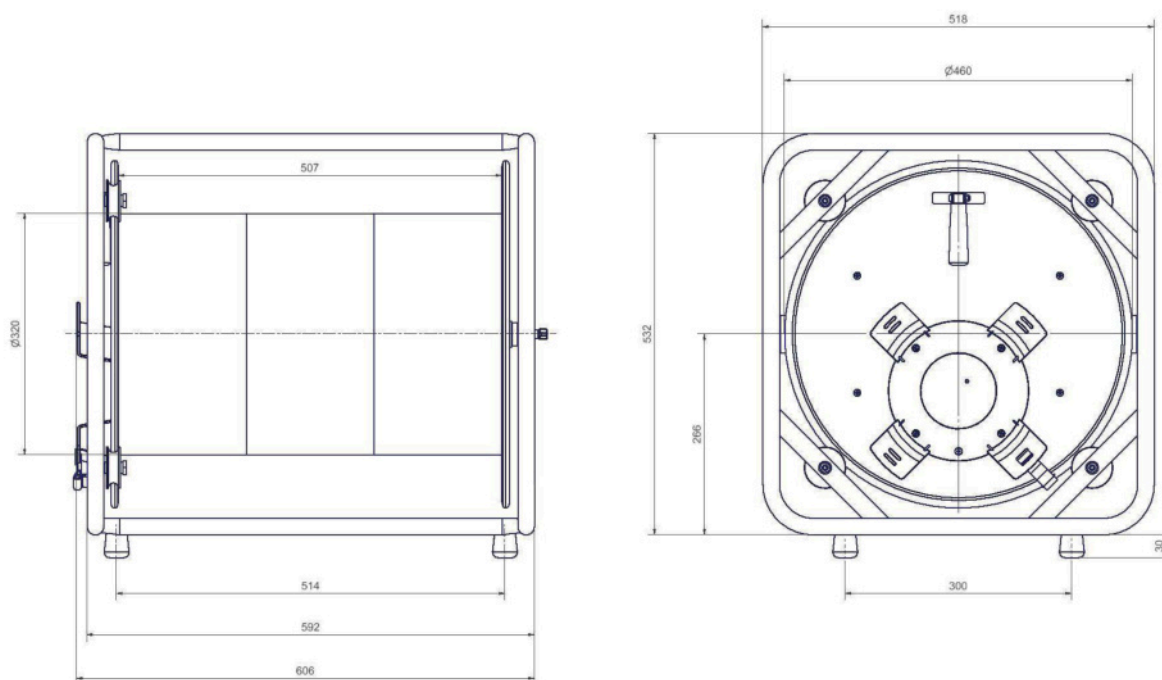


# Drum dimensions

## SK 4823.S0

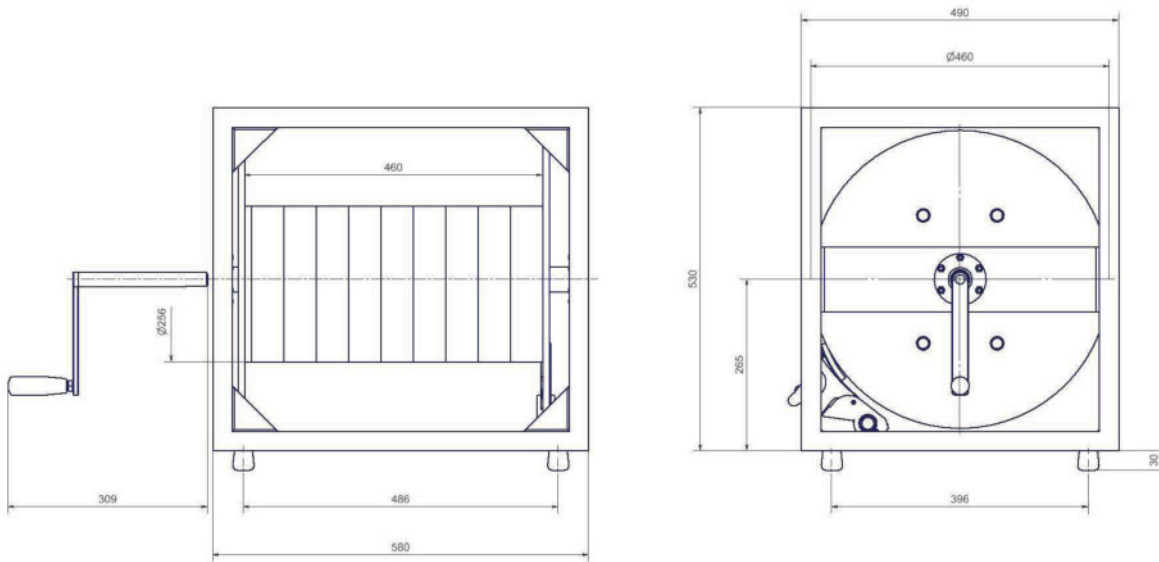


## SK 4823.RM

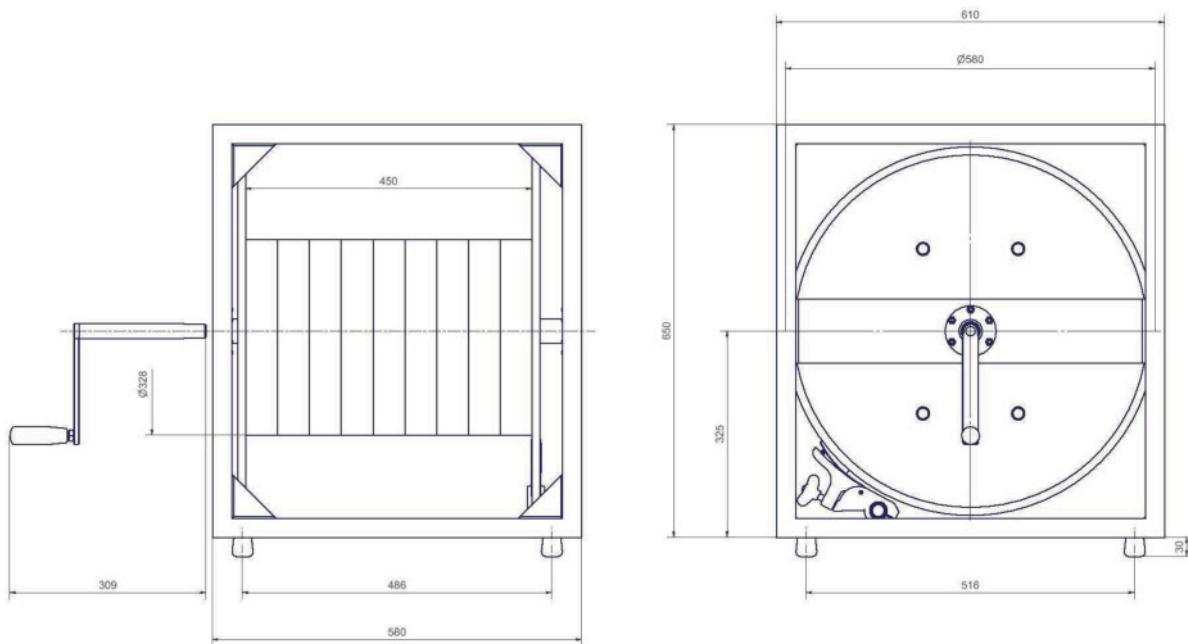


# Drum dimensions

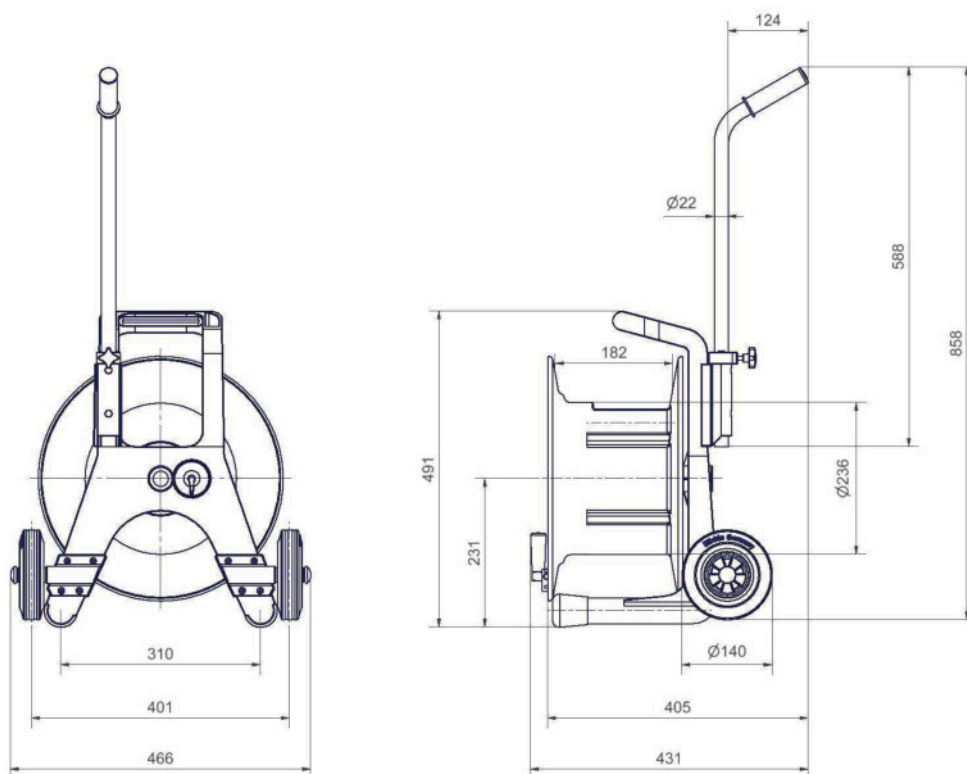
## SK 460.250.460



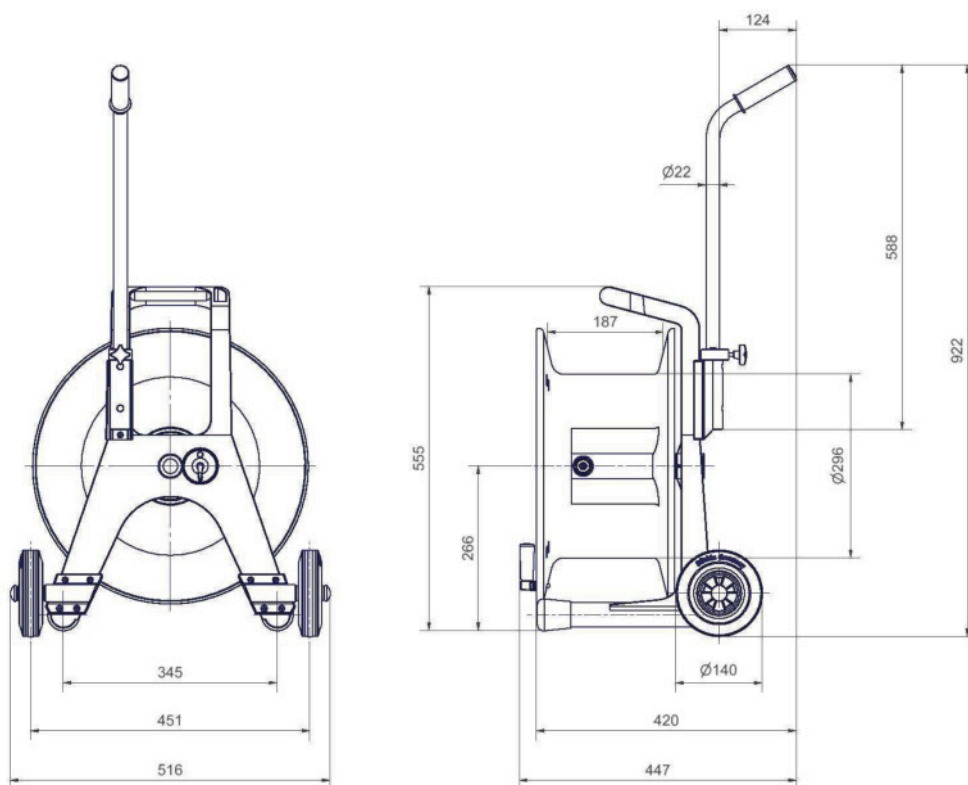
## SK 580.320.450



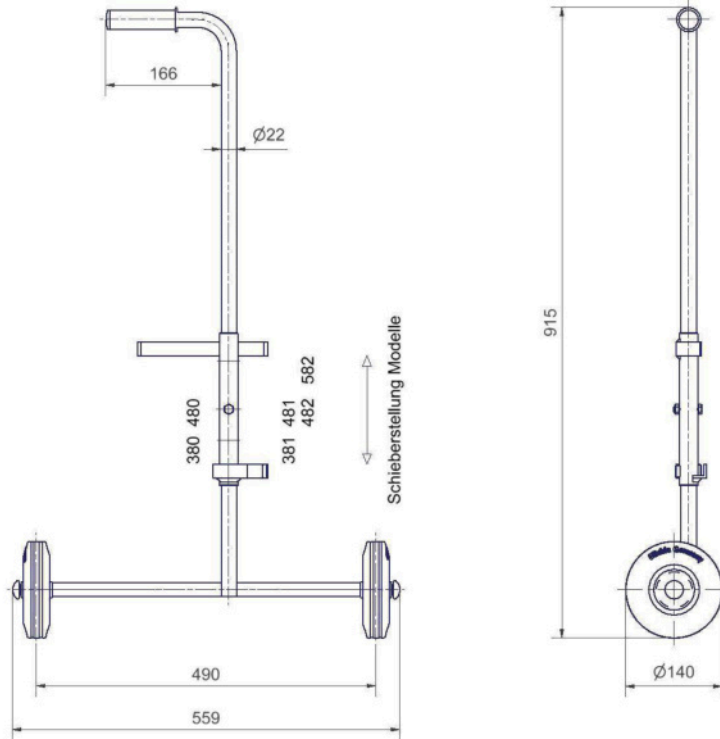
## Travelling unit for GT 380



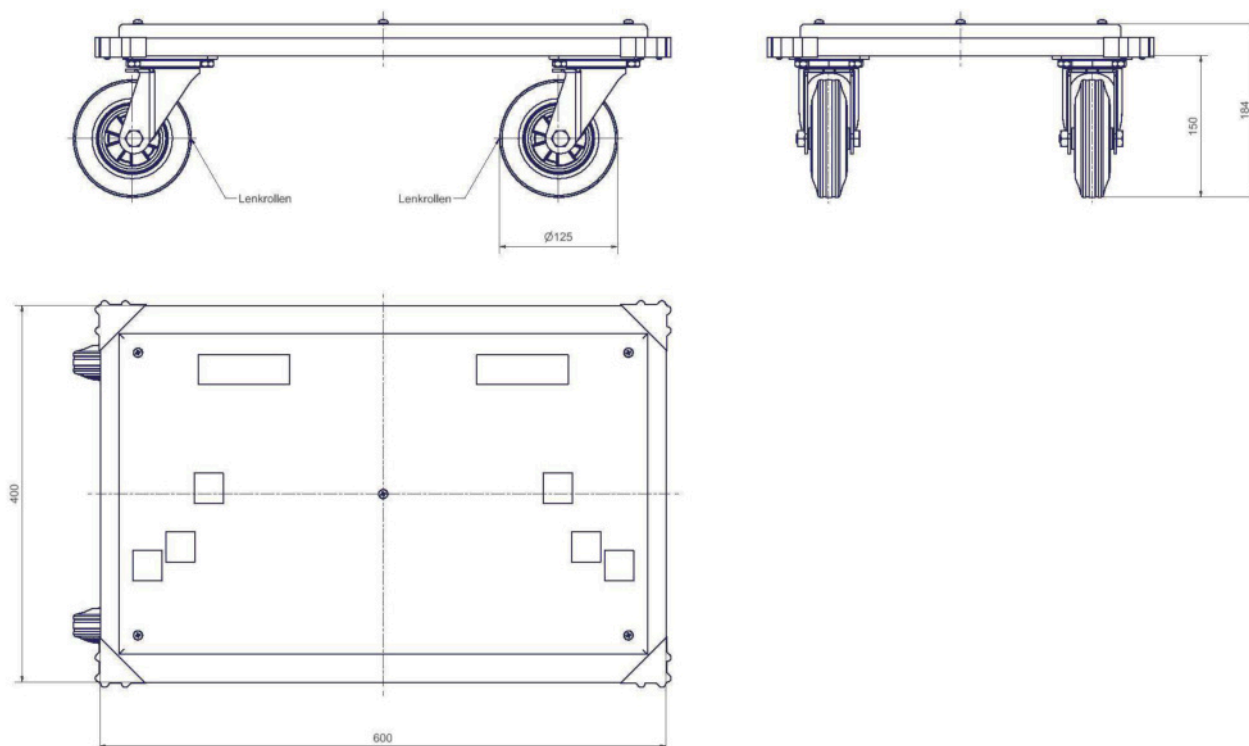
## Travelling unit for GT 450



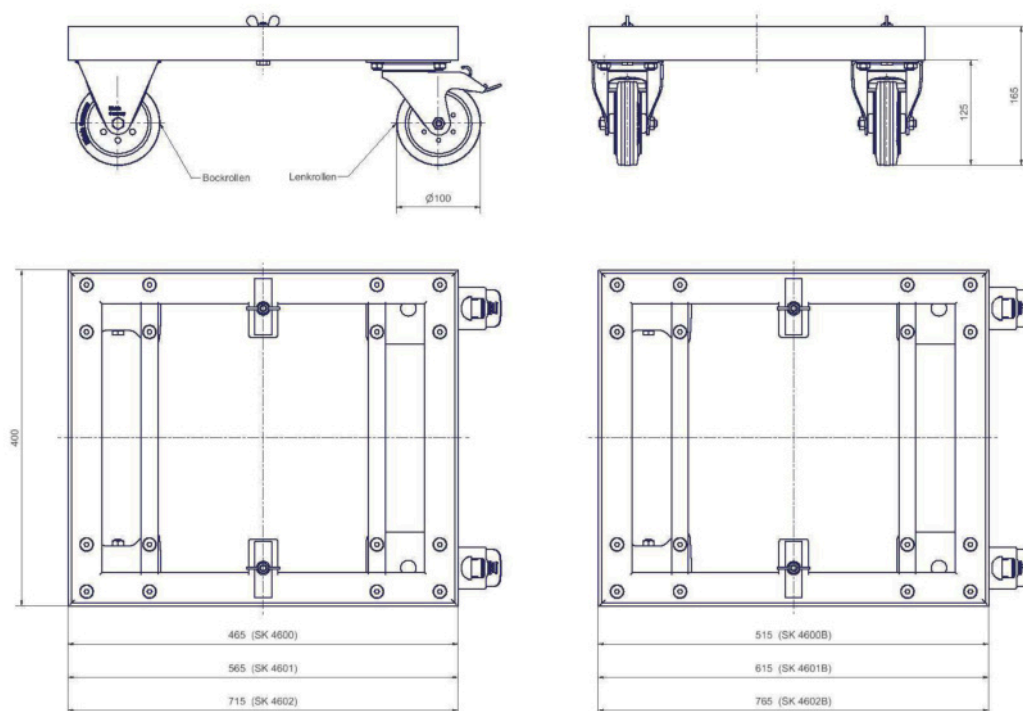
## Travelling column unit for HT 380 - HT 582



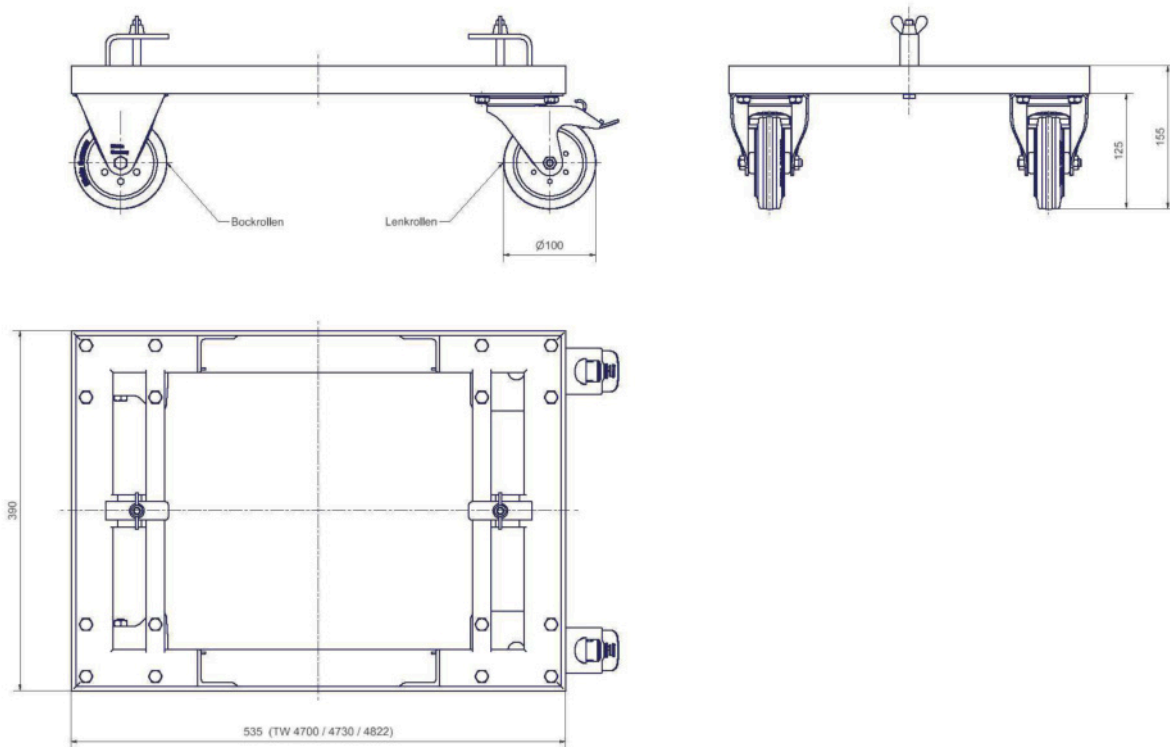
## Transport trolley for the SK 310 + SK 380 + SK 450 series



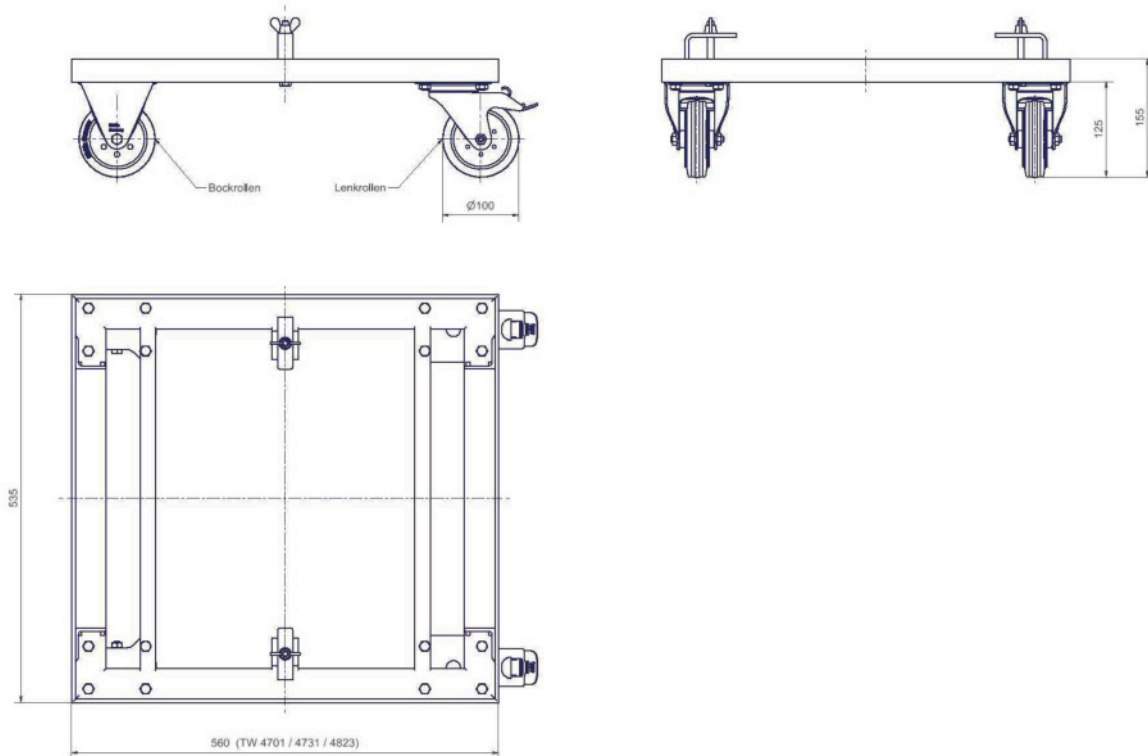
## Transport trolley with brake for the SK 4600.S + SK 4601.S + SK 4602.S series



## Transport trolley with brake for the SK 4700 + SK 4730 + SK 4822.S series



## Transport trolley with brake for the SK 4701 + SK 4731 + SK 4823.S series



## Worldwide

Audio/Video & Broadcast  
**The Resource Corporation Pty Ltd**  
Unit 15 / 173 - 181 Rooks Road Vermont  
VIC 3133  
**AUSTRALIA**  
Phone: +61 (0) 3 9874 5988  
E-Mail: sales@trc.com.au  
www.trc.com.au

Trade & Industry  
**De Maegd NV Belgium**  
Ambachtenlaan 13  
3001 Heverlee  
**BELGIUM**  
Phone: +32 (0) 16 400302  
E-Mail: info@demaegd.be  
www.demaegd.be

Trade & Industry  
**T.C.Hasemer PTY. LTD.**  
Unit 1, 16 Mavis Street  
NSW 2212 Revesby  
**AUSTRALIA**  
Phone: +61 (0) 2 9771 9848  
E-Mail: sales@hasemer.com.au

Audio/Video & Broadcast  
**Belram Luxemburg**  
Chaussee de Wavre, 1600  
1160 Brussel  
**BELGIUM**  
Phone: +32 (0) 2 6729590  
E-Mail: info@belram.com  
www.belram.lu

Audio/Video & Broadcast  
**TONPLAN Goegele & Avedikian OG**  
Mozartstr. 14  
6850 Dornbirn  
**AUSTRIA**  
Phone: +43 (0) 5572 200710  
E-Mail: info@tonplan.com  
www.tonplan.com

Audio/Video & Broadcast  
**Schill Kanada**  
4710 St Ambroise, Suite 234  
Montreal, QC H4C 2C7  
**CANADA**  
Phone: +1 (0) 514-827 2979  
E-Mail: info@schillreels.com  
www.schillreels.com

Trade & Industry  
**Ing. E. Csernohorszky GmbH**  
Wallackgasse 4  
1230 Wien  
**AUSTRIA**  
Phone: +43 (0) 1 69089-0  
E-Mail: cserno@cserno.at  
www.cserno.at

Trade & Industry  
**Hensel (Qingdao) Electrical Installation and Distribution Systems Co.Ltd**  
NO.8,Xinghai Road Huanhai Development Zone  
Chengyang, Qingdao  
China - 266108  
**CHINA**  
Phone: +86 (0) 532 81108656  
E-Mail: info@hensel-electric.cn  
www.hensel-electric.cn

Trade & Industry  
**Spiral Reihls & Co. KG**  
Erlachgasse 117  
1100 Wien  
**AUSTRIA**  
Phone: +43 (0) 1 60108-0  
E-Mail: zentrale@spiral.at  
www.spiral.at

Trade & Industry  
**Munos spol. s.r.o**  
Zaspital 408  
588 32 Brtnice  
**CZECH**  
Phone: +42 (0) 774 320 780  
E-Mail: munos@munos.cz  
www.munos.cz

## Worldwide

Audio/Video & Broadcast  
**Kinovox Scandinavia**  
Marielundvej 45B  
2730 Herlev  
**DENMARK**  
Phone: +45 (0) 70 22 38 11  
E-Mail: info@kinovox.dk  
www.kinovox.dk

Trade & Industry  
**Nord Tech Industrisystemer**  
Lucernemarken 18 A  
5260 Odense S  
**DENMARK**  
Phone: +45 (0) 65 91 98 02  
E-Mail: post@nord-tech.dk  
www.nord-tech.dk

Audio/Video & Broadcast  
**Helipilt Ltd. Estonia**  
Tänassilma  
Vetevana tee 6-3  
76406 Harjumaa  
**ESTONIA**  
Phone: +372 (0) 56 220 102  
E-Mail: helipilt@gmail.com  
www.helipilt.ee

Trade & Industry  
**Oy T. Stenbacka AB**  
Emalikatu 2 B  
04440 Järvenpää  
**FINLAND**  
Phone: +358 (0) 207 432 320  
E-Mail: info@stenbacka.fi  
www.t-stenbacka.fi

Audio/Video & Broadcast  
**Sommer Cable France**  
115 Rue de la république  
67720 Weyersheim  
**FRANCE**  
Phone: +33 (0) 388 51 87 34  
E-Mail: france@sommercable.com  
www.sommercable.fr

Trade & Industry  
**Schill UK Ltd**  
Unit 11 Crystal Business Centre  
Sandwich, Kent CT13 9QX  
**GREAT BRITAIN**  
Phone: +44 (0) 1304 273298  
E-Mail: sales@schilluk.co.uk  
www.schilluk.co.uk

Trade & Industry  
**Hensel Electric India Pvt.Ltd.**  
35 Kunnam Village  
Sunguvarchathram - Walajabad Road  
4th km behind Samsung / Flextronics  
Sriperumbudur Taluk  
Kanchipuram Dist. - 631 604  
Tamil Nadu  
**INDIA**  
Phone: +91 (0) 44 3727 0202  
E-Mail: info@hensel-electric.in  
www.hensel.in

Trade & Industry  
**Reykjafell Ltd.**  
Skiopholti 35  
105 Reykjavik  
**ISLAND**  
Phone: +354 (0) 588 6000  
E-Mail: reykjafell@reykjafell.is  
www.reykjafell.de

Trade & Industry  
**Hamehaber & Hamekasher (H&H) Ltd.**  
3 Israel Vishingrad Hamasger  
Bat-Yam / 5959410  
**ISRAEL**  
Phone: +972 (03) 5516477  
E-Mail: hamehaber@netvision.net.il  
www.hamehaber.co.il

Audio/Video & Broadcast  
**Link srl**  
Via Bruno Pontecorvo 10  
00012 Guidonia Montecelio (Rome)  
**ITALY**  
Phone: +39 (0) 06 227251  
E-Mail: info@linkitaly.com  
www.linkitaly.com



## Worldwide

Audio/Video & Broadcast  
**TOMOCA Electronics Co., LTD**  
Radio-kaikan bild. 10F  
1-15-16 Sotokanda Chiyoda-ku  
101-0021 Tokyo  
**JAPAN**  
Phone: +81 (0) 3-3443-2633  
E-Mail: sales@tomoca.co.jp  
www.tomoca.co.jp

Audio/Video & Broadcast  
**TVC**  
Dvaro str. 140  
Siauliai, LT-76199  
**LITHUANIA**  
Phone: +370 (0) 41 520 295  
E-Mail: tvc@tvc.lt  
www.tvc.lt

Trade & Industry  
**Koopman B.V.**  
Molenvliet 2  
3961 Wijk bij Duurstede  
**NETHERLANDS**  
Phone: +31 (0) 343 59 22 22  
E-Mail: info@koopman.nu  
www.koopman.nu

Audio/Video & Broadcast  
**Jorgen Holmefjord AS**  
Jernkroken 9  
0976 Oslo  
**NORWAY**  
Phone: +47 (0) 22252999  
E-Mail: post@holmefjord.no  
www.holmefjord.no

Audio/Video & Broadcast  
**PTH "Neopta electronics" Sp.z.o.o.**  
ul. Pawla Wlodkowica 14  
60-334 Poznan  
**POLAND**  
Phone: +48 (0) 61 662 48 51  
E-Mail: info@neopta.pl  
www.neopta.pl

Audio/Video & Broadcast  
**Aplauz Sp. z.o.o. Poland**  
ul. Graniczna 19  
05-092 Lomianki-Dabrowa  
**POLAND**  
Phone: +48 (0) 22 751 42 39  
E-Mail: aplauz@aplauzaudio.pl  
www.aplauzaudio.pl

Trade & Industry  
**Sofema**  
Edificio 263, 1° Andar  
Rue Maria Isabel Saint-Léger, No. 20  
1300-442 Lisboa  
**PORTUGAL**  
Phone: +351 (0) 213 920 700  
E-Mail: sofema@sofema.pt  
www.sofema.pt

Audio/Video & Broadcast  
**First Cable**  
Sirenevyi Boulevard 3, Bld. 3  
105122 Moscow  
**RUSSIA**  
Phone: +7 (0) 495 600 6868  
E-Mail: info@1-cable.ru  
www.1-cable.ru

Audio/Video & Broadcast  
**LLC "AT Group"**  
Ilmskaya street, Bld. 5, Case 2, Fl. 4, Premise Z405  
127576 Moscow  
**RUSSIA**  
Phone: +7 (499) 444-09-05  
E-Mail: purchase@at-group.ru  
www.at-group.ru

Trade & Industry  
**SibWest**  
Ovravnaja Str. 4-1  
630049 Novosibirsk  
**RUSSIA**  
Phone: +7 (0) 383 21 95 200  
E-Mail: nsk@sibwest.com  
www.sibwest.com

Audio/Video & Broadcast  
**Masstron Co., Ltd**  
5th Lok Yang Road 14  
629763 Singapore  
**SINGAPORE**  
Phone: +65 (0) 6763 0309  
E-Mail: sales@masstron.com  
www.masstron.com

## Worldwide

Audio/Video & Broadcast  
**Hannyang Broadcomms**  
305 Ho,A-dong, Hangang Xi Tower, 401  
Yangcheon-gu  
Seoul  
**SOUTH KOREA**  
Phone: +82 (0) 2 2602 1581/1585  
E-Mail: sales@hannyang.com  
www.hannyang.com

Audio/Video & Broadcast  
**Percon S.L.**  
Diputació 203  
08011 Barcelona  
**SPAIN**  
Phone: +34 (0) 93 451 78 30  
E-Mail: central@percon.es  
www.percon.es

Trade & Industry  
**Coma S.A. Spain**  
Narcis Monturiol, no. 35  
Poligon Industrial SudOest  
08028 Sant Just Desvern (Barcelona)  
**SPAIN**  
Phone: +34 (0) 93 490 31 51  
E-Mail: coma@eecom.com  
www.eecom.com

Audio/Video & Broadcast  
**Cabletronic Sweden**  
Västberga Alle 32  
12630 Hägersten  
**SWEDEN**  
Phone: +46 (0) 8 447 43 50  
E-Mail: epost@cabletronic.se  
www.cabletronic.se

Trade & Industry  
**Demelectric AG Schweiz**  
Steinhaldenstrasse 26  
8954 Geroldswil  
**SWISS**  
Phone: +41 (0) 43 455 44 00  
E-Mail: info@demelectric.ch  
www.demelectric.ch

Audio/Video & Broadcast  
**Masstron (Thailand) Co., Ltd**  
1213/334 Soi Ladprao 94 (Panjamit),  
Ladprao Road, Kwang Plabpla, Khet Wang  
Thonglang,  
Bangkok, 10310  
**THAILAND**  
Phone: +66 (0) 2319-9375-6  
E-Mail: sales@masstron.com  
www.masstron.com

Audio/Video & Broadcast  
**Engineer-Service Ltd Ukraine**  
15 Vavulyovkh str.  
Kiev, 04060  
**UKRAINE**  
Phone: +38 (0) 44 593 18 20  
E-Mail: info@iservice.kiev.ua  
www.serv.com.ua

Audio/Video & Broadcast  
**CableTech**  
Warehouse No. 7 – Plot No. 598-1212  
**UNITED ARAB EMIRATES**  
Phone: +971 (0) 4 8852895  
E-Mail: info@cabletechmea.com  
www.cabletechmea.com

Trade & Industry  
**Hensel Electric U.A.E.**  
PO Box 514456  
Sharjah Airport International Free Zone (SAIF Zone)  
Block Q4-Street - Q4-57  
Sharjah  
**UNITED ARAB EMIRATES**  
Phone: +971 (0) 6 5747547  
E-Mail: info@hensel-electric.ae  
www.hensel-electric.ae

Audio/Video & Broadcast  
**Schill USA**  
7044 Winding Trail  
Brighton, MI 48116  
**USA**  
Phone: +1 (0) 517 404 3746  
E-Mail: info@schillreels.com  
www.schillreels.com



Follow us on

@schillkabeltrommeln

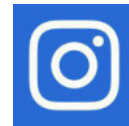
schilltrommeln



Schill Kabeltrommeln



schill\_gmbh



@schill\_gmbh





**SCHILL**

connecting professionals

[sales@schill.de](mailto:sales@schill.de) | [www.schill.de](http://www.schill.de)