

Specification :

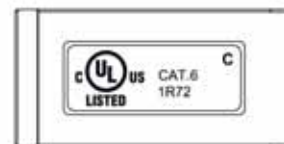
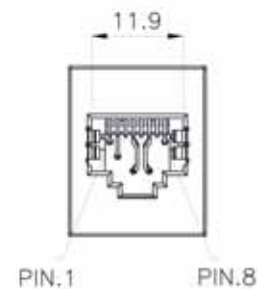
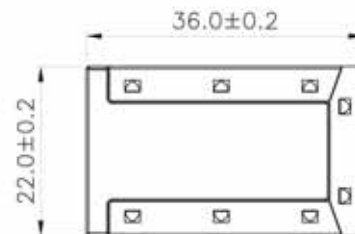
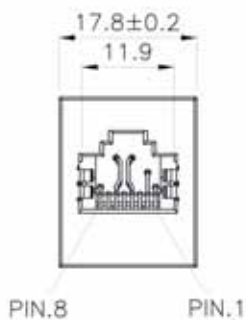
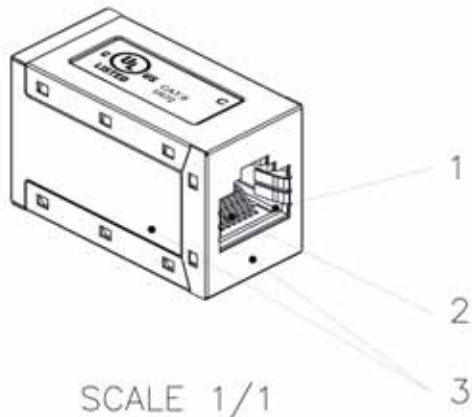
Material :

1. RJ45 Jack :
 - 1-1. Housing : ABS, UL 94V-0, with Black color.
 - 1-2. Contact Bracket : PC, UL 94V-2, Transparent color.
2. RJ45 Jack Contact :
 - 2-1. Material : Phosphor Bronze with Nickel plated.
 - 2-2. Finish : 50 micro-inch Gold plated on Plug contact area.
3. RJ45 Jack Shield : Bronze with Nickel Plated.
4. PCB : FR4, UL 94V-0.

Performance :

- a. Insertion force : 30N max. (IEC 60603-7-5).
- b. Retention strength : 7.7 kg between Jack and Plug.
- c. Operating temperature : -10°C to 60°C. (ISO/IEC 11801, ANSI/TIA/EIA 568 B.2)
- d. Life(mating cycles) : 750 cycles min. (ISO/IEC 11801, IEC 60603-7-5)
- e. The Cat.5e transmission performance is in compliance with the ANSI/TIA/EIA 568 B.2 standard.

GENERAL TOLERANCE OF DIMENSIONS X.XXX ±0.005 X.XX ±0.05 X.X ±0.1	DRAWING	17.JUN.2010	QIQI		
	CHECK	17.JUN.2010	JANE		
	APPROVAL	17.JUN.2010	JAIMY		
		DATE	NAME	SD5018	
	SCALE	1/1 (A4)	UNIT	mm	DES.: CAT.5E FULL IN-LINE COUPLER
		DRAWING NO.	AAEBB0101131215 JE315AS-CE(SA5)		
		DRAWING CLASSIFICATION	S	SHEET	



Specification :

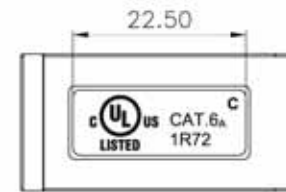
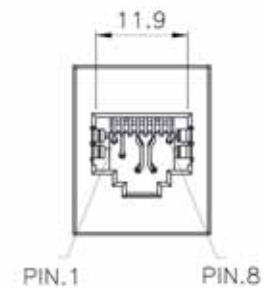
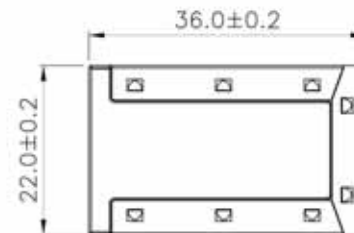
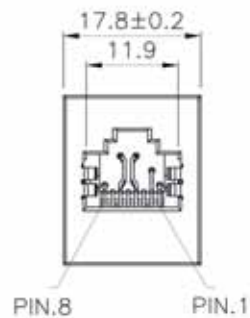
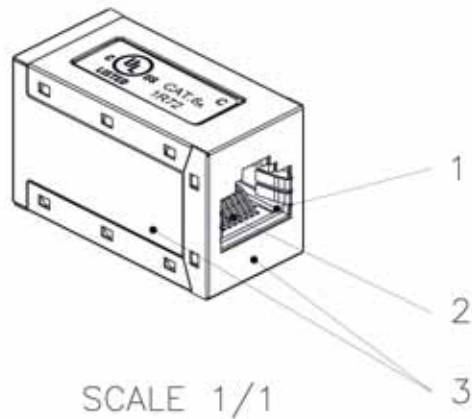
Material :

1. RJ45 Jack
 - 1-1. Housing : ABS, UL 94V-0, with Black color,
 - 1-2. Contact Bracket : PC, UL 94V-2, Transparent color.
2. RJ45 Jack Contact :
 - 2-1. Material : Phosphor Bronze with Nickel plated.
 - 2-2. Finish : 50 micro-inch Gold plated on Plug contact area.
3. RJ45 Jack Shield : Bronze with Nickel Plated.
4. PCB : FR4, UL 94V-0.

Performance :

- a. Insertion force : 30N max. (IEC 60603-7-5).
- b. Retention strength : 7.7 kg between Jack and Plug.
- c. Operating temperature : -10°C to 60°C. (ISO/IEC 11801, ANSI/TIA/EIA 568 B.2)
- d. Life(mating cycles) : 750 cycles min. (ISO/IEC 11801, IEC 60603-7-5)
- e. The Cat.6 transmission performance is in compliance with the ANSI/TIA/EIA 568 B.2-1 standard.

GENERAL TOLERANCE OF DIMENSIONS X.XXX ±0.005 X.XX ±0.05 X.X ±0.1	DRAWING	07.JUN.2010	QIQI	ACE						
	CHECK	07.JUN.2010	JANE							
	APPROVAL	07.JUN.2010	JAIMY							
		DATE	NAME	SD6018						
	SCALE	1/1 (A4)	UNIT	mm	DES.: CAT.6 FULL IN-LINE COUPLER					
	DRAWING NO.				<table border="1"> <tr> <td>DRAWING CLASSIFICATION</td> <td>S</td> <td>SHEET</td> <td>1 OF 1</td> <td>A4</td> </tr> </table>	DRAWING CLASSIFICATION	S	SHEET	1 OF 1	A4
DRAWING CLASSIFICATION	S	SHEET	1 OF 1	A4						
	DRAWING CLASSIFICATION		S	SHEET	1 OF 1					



Specification :

Material :

1. RJ45 Jack :
 - 1-1. Housing : ABS, UL 94V-0, with Black color.
 - 1-2. Contact Bracket : PC, UL 94V-2, Transparent color.
2. RJ45 Jack Contact :
 - 2-1. Material : Phosphor Bronze with Nickel plated.
 - 2-2. Finish : 50 micro-inch Gold plated on Plug contact area.
3. RJ45 Jack Shield : Bronze with Nickel Plated.
4. PCB : FR4, UL 94V-0.

Performance :

- a. Insertion force : 30N max. (IEC 60603-7-5)
- b. Retention strength : 7.7 kg between Jack and Plug.
- c. Operating temperature : -10°C to 60°C. (ISO/IEC 11801, ANSI/TIA/EIA 568 B.2)
- d. Life(mating cycles) : 750 cycles min. (ISO/IEC 11801, IEC 60603-7-5)
- e. The CAT.6A channel transmission performance is in compliance with TIA/EIA 568C.2 10G & ISO/IEC 11801 standard.

GENERAL TOLERANCE OF DIMENSIONS X.XXX ±0.005 X.XX ±0.05 X.X ±0.1	DRAWING	28.OCT.2010	QIQI	ACE	
	CHECK	28.OCT.2010	JANE		
	APPROVAL	28.OCT.2010	JAIMY		
		DATE	NAME		SD6518
	SCALE	1/1 (A4)	UNIT	mm	DES.: CAT.6A FULL SHIELDED IN-LINE COUPLER
	DRAWING NO.		DRAWING CLASSIFICATION		S SHEET 1 OF 1
	DRAWING CLASSIFICATION		S	SHEET	1 OF 1

