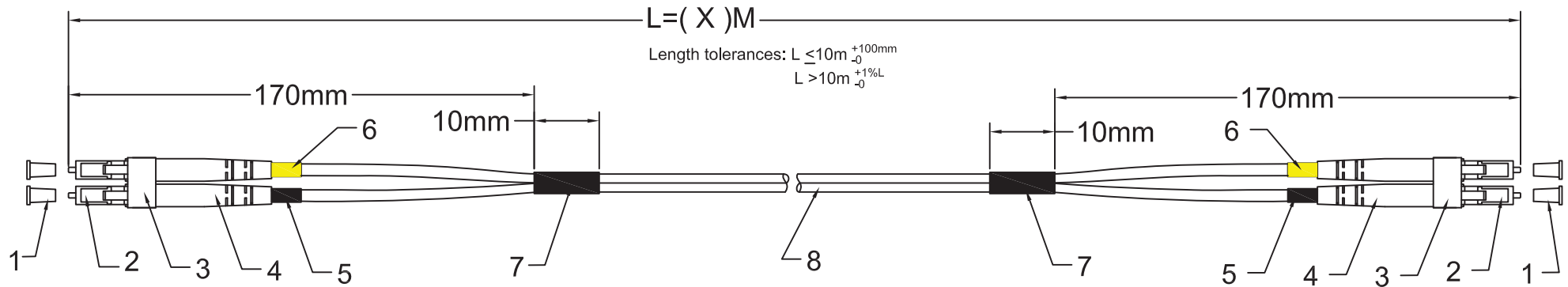


Duplex Jumper LC-LC 50 125 μ , X m, OM5, LSZH, 2.0mm light green



Specifications:

1. Insertion Loss: $\leq 0.2\text{dB @}850\text{nm}$
2. End surface test is according to OP-03-05001
3. Test standard: GR-326-CORE
4. Test report has to match the serial No.
5. RoHS compliant
6. Fiber cable according to IEC 60793-2
7. LC connector according to IEC 61754-20
8. Flame retardant according to IEC 60332-1
9. Halogen Free according to IEC 60754-1
10. Low smoke according to IEC 61034-1

**RoHS
compliant**

8	Ø2.0mm MM duplex OM5 50/125 μ LSZH Light green cable	
7	Heat shrink tube, black	2
6	LC shrink tube, yellow	2
5	LC shrink tube, white	2
4	LC 3.0 boot, white	4
3	LC clip, clear	2
2	LC MM 2.0 connector, Beige	4
1	LC dust cover	4
Item	Description	Qty



EFB

Duplex Jumper LC-LC 50 125 μ , X m, OM5, LSZH, 2.0mm light green

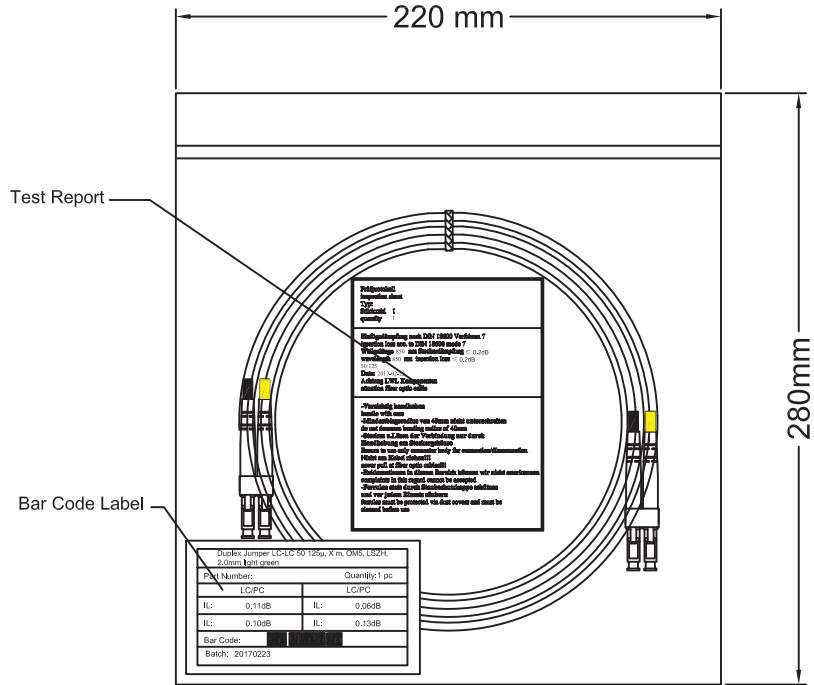
Part No:

Drawing No:

Page :1 of 3

Packing:

The corresponding label data for each cable assembly shall be affixed to the package



9# PE Bag(220mm x 280mm)

Prüfprotokoll inspection sheet Typ: Stückzahl 1 quantity 1
Einfügedämpfung nach DIN 18600 Verfahren 7 insertion loss acc. to DIN 18600 mode 7 Wellenlänge 850 nm Steckerdämpfung ≤ 0,2dB wavelength 850 nm insertion loss ≤ 0,2dB 50/125 Date: 2017-02-23 Achtung LWL Komponenten attention fiber optic cable
-Vorsichtig handhaben handle with care -Mindestbiegeradius von 40mm nicht unterschreiten do not decrease bending radius of 40mm -Stecken u.Lösen der Verbindung nur durch Handhabung am Steckergehäuse Ensure to use only connector body for connection/disconnection Nicht am Kabel ziehen!!! never pull at fiber optic cables!!! -Reklamationen in diesem Bereich können wir nicht anerkennen complaints in this regard cannot be accepted -Ferrulen stets durch Staubschutzkappe schützen and vor jedem Einsatz säubern and vor jedem Einsatz säubern ferrules must be protected via dust covers and must be cleaned before use

Test Report

Duplex Jumper LC-LC 50 125µ, X m, OM5, LSZH, 2.0mm light green	
Part Number:	Quantity:1 pc
LC/PC	LC/PC
IL: 0.11dB	IL: 0.06dB
IL: 0.10dB	IL: 0.13dB
Bar Code:	
Batch:	20170223

Bar Code Label(100mmx60mm)

RoHS compliant

		<h1>EFB</h1>
Duplex Jumper LC-LC 50 125µ, X m, OM5, LSZH, 2.0mm light green		
Part No:		
Drawing No:	Page :2 of 3	

Indoor Cable Series (Duplex)

1. Characteristics

- . Aramid yarn strength member ensures tension resistance and long term stability in transmission
- . Figure 8 structure jacket facilitate embranchment
- . Small outer diameter, lightweight
- . Flame-retardant jacket, halogenfree
- . Low attenuation

2. Applications

- . Installation in conduits and shafts
- . Indoor distribution
- . Jumper and adapter cable
- . Connecting workstations inside buildings (FTTD)

3. Temperature Range

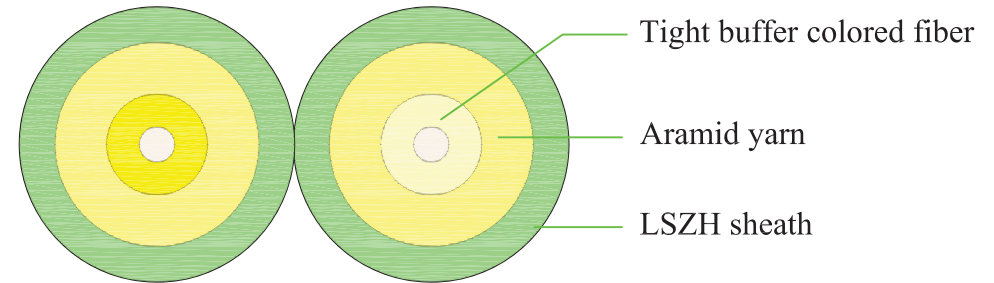
-20°C up to +70°C

4. Fiber Optic Cable Performance

- . Number of fibers: 2
- . Outer diameter: 2.0x4.1 mm
- . Nominal weight: 8.2 kg / km
- . Max. tension: 200 N (short - term)
100 N (long - term)
- . Min. Bending Radius: 20 H (Dynamic)
10 H (Static)
- . Max. Crush Resistance (N/100 mm²): 1000
- . Complies with TIA/EIA-568 B.3 & Bellcore GR-409-CORE & OFNR-UL/CSA FT-4
- . Maximum Attenuation: ≤ 2.4dB @850nm
≤ 0.6dB @1300nm
- . OFL Bandwidth: ≥ 3500MHz-km@850nm
≥ 500MHz-km@1300nm
- . 10 Gigabit Ethernet SX: 550m@850nm

5. Cable Specification

- . Fiber type: Multimode 50/125µm OM5
- . Light green jacket, LSZH



**RoHS
compliant**



EFB

Duplex Jumper LC-LC 50 125µ, X m, OM5, LSZH, 2.0mm light green

Part No:

Drawing No:

Page :3 of 3