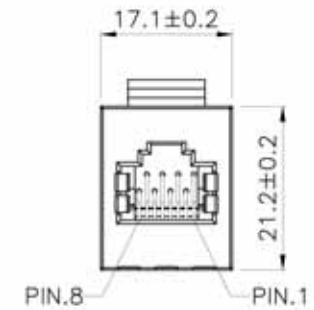
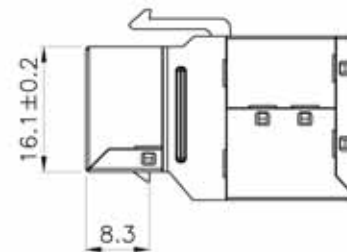
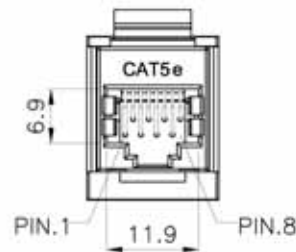


SCALE 1/1



Specification :

Material :

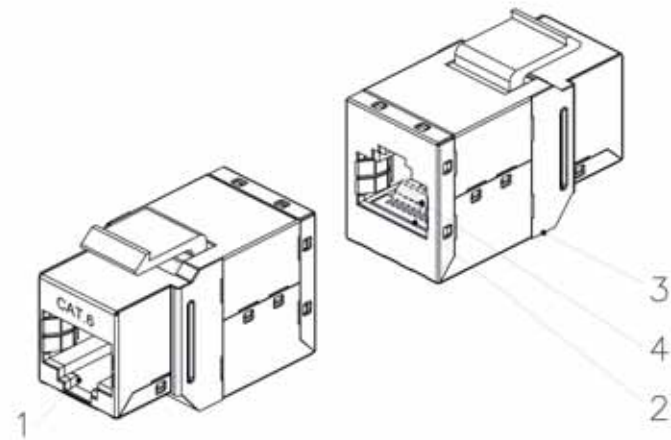
1. RJ45 Jack Housing : ABS+PC, UL 94V-0, Black color.
2. RJ45 Jack Bracket Set : PC, UL 94V-2, Transparent color.
3. RJ45 Jack Shield : Bronze, Nickel plated.
4. RJ45 Jack Contact :
 - 4-1. Material : Phosphor Bronze with Nickel plated.
 - 4-2. Finish : 50 micro-inch Gold plated on Plug contact area.
5. PCB : FR4, UL 94V-0.

Performance :

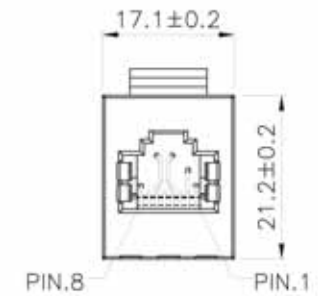
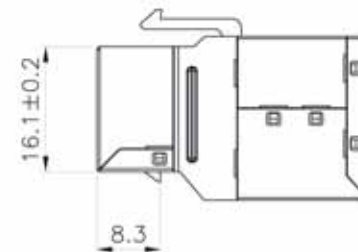
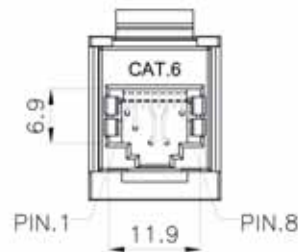
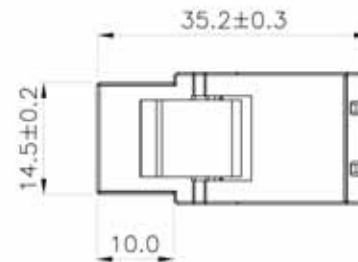
- a. Insertion force : 30N max. (IEC 60603-7-5).
- b. Retention strength : 7.7 kg between Jack and Plug.
- c. Operating temperature : -10°C to 60°C. (ISO/IEC 11801, ANSI/TIA/EIA 568 B.2)
- d. Life(mating cycles) : 750 cycles min. (ISO/IEC 11801, IEC 60603-7-5).
- e. The Cat.5e transmission performance is in compliance with the ANSI/TIA/EIA 568 B.2 standard.

GENERAL TOLERANCE OF DIMENSIONS ±0.1	DRAWING	21.MAY.2010	QIQI	ACE
	CHECK	21.MAY.2010	JANE	
	APPROVAL	21.MAY.2010	JAIMY	
	DATE	NAME	SD5019	
SCALE	1/1 (A4)	UNIT	mm	DES.: CAT.5E FULL SHIELDED KEYSTONE JACK
DRAWING NO.		DRAWING CLASSIFICATION		
DRAWING CLASSIFICATION		S	SHEET	1 OF 1





SCALE 1/1



Specification :

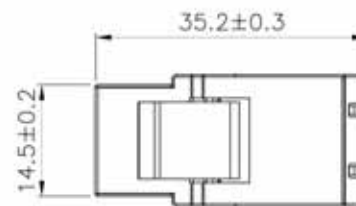
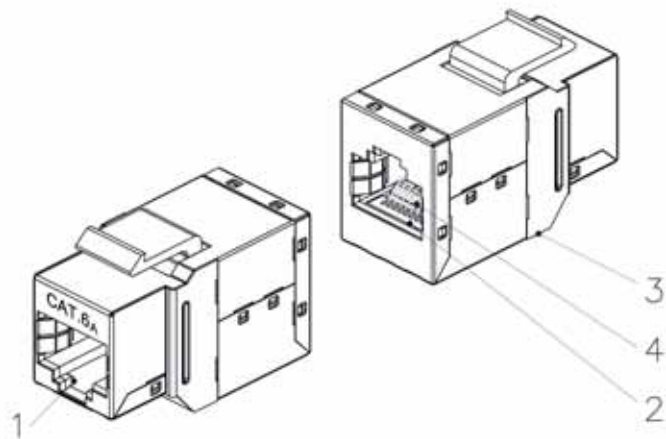
Material :

1. RJ45 Jack Housing : ABS+PC, UL 94V-0, Black color.
2. RJ45 Jack Bracket Set : PC, UL 94V-2, Transparent color.
3. RJ45 Jack Shield : Bronze, Nickel plated.
4. RJ45 Jack Contact :
 - 4-1. Material : Phosphor Bronze with Nickel plated.
 - 4-2. Finish : 50 micro-inch Gold plated on Plug contact area.
5. PCB : FR4, UL 94V-0.

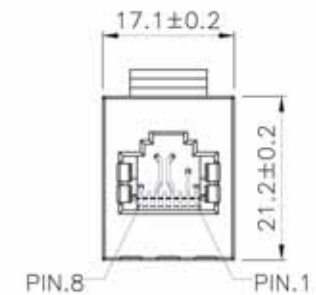
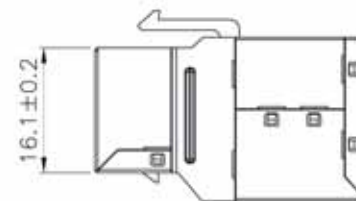
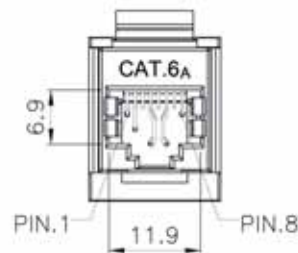
Performance :

- a. Insertion force : 30N max. (IEC 60603-7-5).
- b. Retention strength : 7.7 kg between Jack and Plug.
- c. Operating temperature : -10°C to 60°C. (ISO/IEC 11801, ANSI/TIA/EIA 568 B.2)
- d. Life(mating cycles) : 750 cycles min. (ISO/IEC 11801, IEC 60603-7-5).
- e. The Cat.6 transmission performance is in compliance with the ANSI/TIA/EIA 568 B.2-1 standard.

GENERAL TOLERANCE OF DIMENSIONS ±0.1	DRAWING	21.MAY.2010	QIQI	
	CHECK	21.MAY.2010	JANE	
	APPROVAL	21.MAY.2010	JAIMY	
	DATE		NAME	SD6019
SCALE	1/1 (A4)	UNIT	mm	DES.: CAT.6 FULL SHIELDED KEYSTONE JACK
	DRAWING NO.			
DRAWING CLASSIFICATION		S	SHEET	1 OF 1



SCALE 1/1



Specification :

Material :

1. RJ45 Jack Housing : ABS+PC, UL 94V-0, with Black color.
2. Contact Bracket : PC, UL 94V-2, Transparent color.
3. RJ45 Jack Shield : Bronze with Nickel plated.
4. RJ45 Jack Contact :
 - 4-1. Material : Phosphor Bronze with Nickel plated.
 - 4-2. Finish : 50 micro-inch Gold plated on Plug contact area.
5. PCB : FR4, UL 94V-0.

Performance :

- a. Insertion force : 30N max. (IEC 60603-7-5)
- b. Retention strength : 7.7 kg between Jack and Plug.
- c. Operating temperature : -10°C to 60°C. (ISO/ICE 11801, ANSI/TIA/EIA 568 B.2)
- d. Life(mating cycles) : Jack : 750 cycles min. (ISO/IEC 11801, IEC 60603-7-5)
- e. The CAT.6A channel transmission performance is in compliance with TIA/EIA 568C.2 10G & ISO/IEC 11801 standard.

GENERAL TOLERANCE OF DIMENSIONS ±0.1	DRAWING	19.OCT.2010	CXC		
	CHECK	19.OCT.2010	JANE		
	APPROVAL	19.OCT.2010	JAIMY		
		DATE	NAME		SD6519
	SCALE	1/1 (A4)	UNIT	mm	DES.: CAT6A FULL SHIELDED KEYSTONE JACK
		DRAWING NO.			
	DRAWING CLASSIFICATION		S	SHEET	1 OF 1