

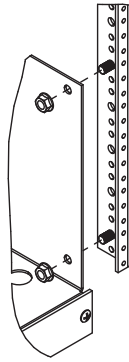
INSTRUCTION SHEET
SRS SERIES
ASSEMBLY INSTRUCTIONS



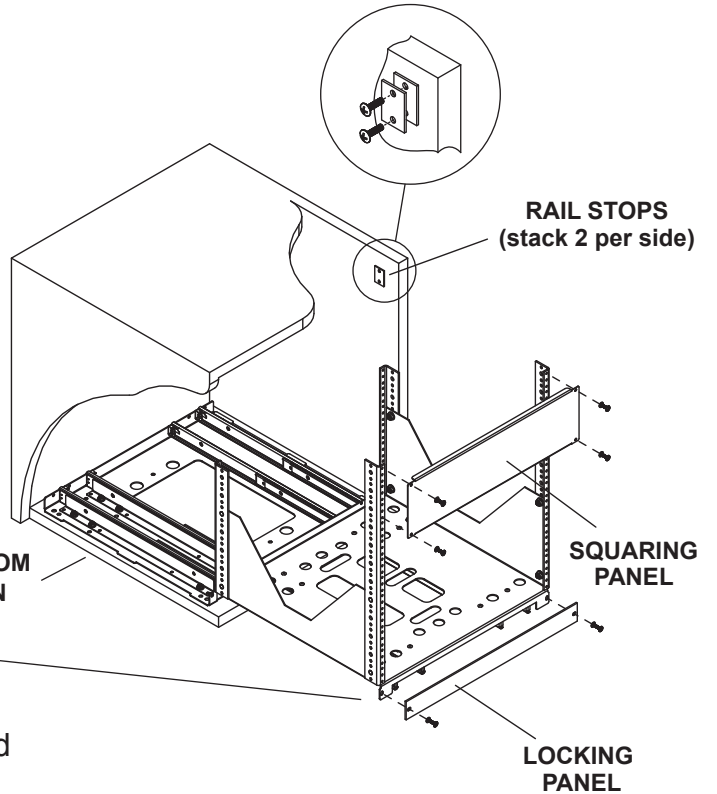
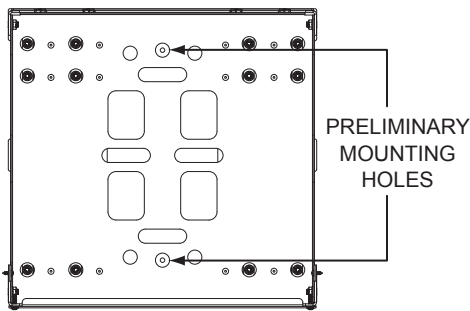
THANK YOU

Thank you for purchasing the SRS Series. Please read these instructions thoroughly before installing/assembling this product.

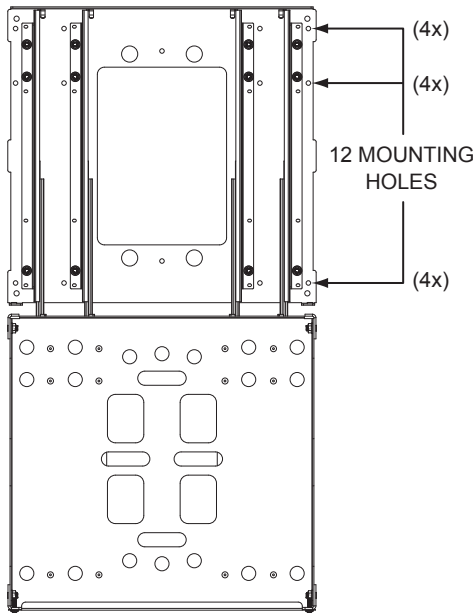
NOTE: If optional cable carrier is used it must be installed prior to rackrail.
 (See **PAGE 2**)



- 1) Position and center SRS in millwork with setback desired.
- 2) Using 2 preliminary mounting hole locations attach the SRS to the millwork.



- 3) Remove "Locking Panel" and slide rack out
- 4) Secure SRS using 12 mounting points indicated in drawing.

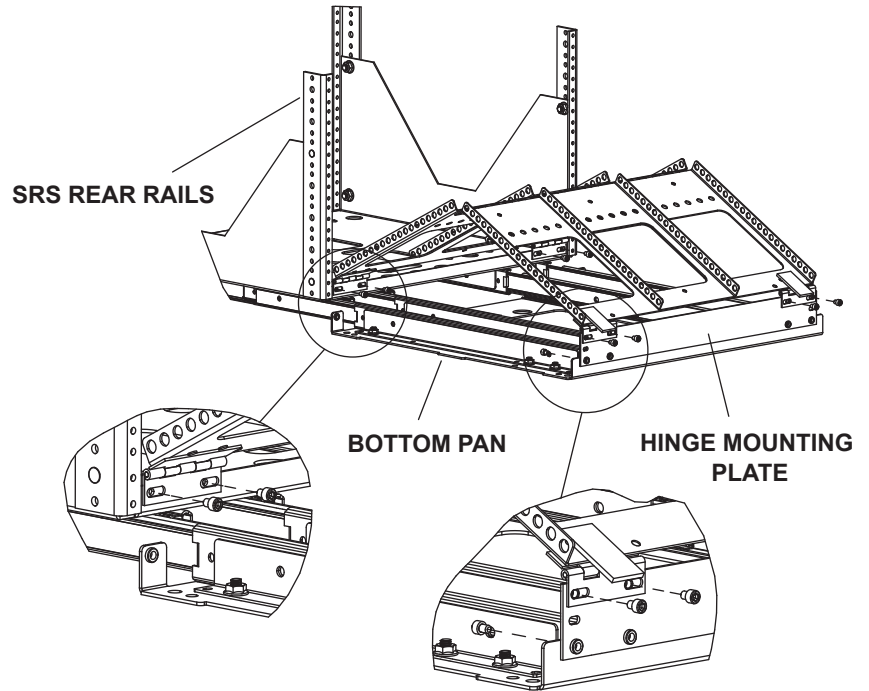


- 5) Attach rackrail to the sliding section using hardware provided, finger tighten only.
- 6) Install squaring panel approximately 1/3 of the way down from the top of the rackrail using hardware provided. **NOTE:** The squaring panel remains in place until some of the equipment is loaded.
- 7) Final tighten the rackrail to the sliding section.
- 8) Test the sliding carriage operation. Adjust mounting positions as necessary should interference with the millwork occur.
- 9) Attach the Locking panel.
- 10) Rail Stops serve to maintain a plumb position when rack is closed. Mount 2 stops per side in the highest position possible while maintaining contact with the backside of the rackrail in the closed position. Wood screws are for this provided attachment. (see illustration above)

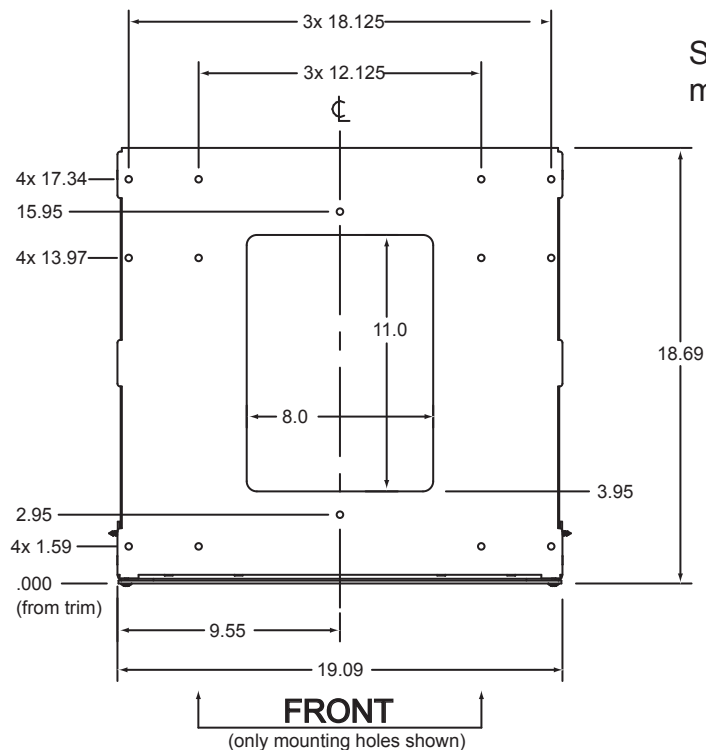
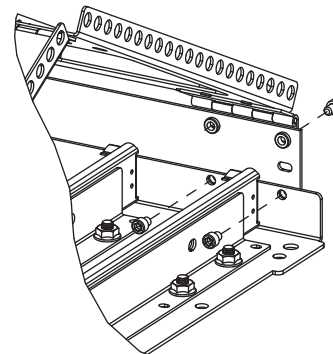
OPTIONAL

SRS Cable Carrier Instructions

NOTE: Carefully examine drawing for details of which side hinge mounting panel goes to



- 1) Attach the Hinge Mounting Plate to the rear surface of the SRS bottom pan with four 10-32 socket head screws.
- 2) Attach the Cable Carrier Hinge to the rear of the Hinge Mounting Panel with four 10-32 socket head screws.
- 3) Attach front of Cable Carrier to the SRS Chassis with four 10-32 socket head screws



SRS Series rough-in pan mounting point locations



Middle Atlantic Products

WARRANTY

Middle Atlantic Products, Inc. (the "Company") warrants the SRS Series to be free from defects in material or workmanship under normal use and conditions for a period of (3) three years from date of shipment by the Company.

The Company's entire liability to the purchaser, and the purchaser's (or any other party's) sole and exclusive remedy, under this warranty shall be limited, at the Company's option, to either (a) return of and refund of the price paid for, or (b) repair or replacement at the Company's factory of the products purchased, or any part or parts thereof, which the Company has determined to be defective after inspection thereof at the Company's factory. This warranty does not cover damage due to acts of God, accident, misuse, abuse or negligence by parties other than the Company, or any modification or alteration of the products. In addition, this warranty does not cover damage due to improper handling, assembly, installation or maintenance.

THIS WARRANTY IS IN LIEU OF ALL OTHER WARRANTIES OF ANY KIND, EITHER EXPRESSED OR IMPLIED, INCLUDING, BUT NOT LIMITED TO, IMPLIED WARRANTIES OF MERCHANTABILITY AND FITNESS FOR A PARTICULAR PURPOSE.

TO THE MAXIMUM EXTENT PERMITTED BY APPLICABLE LAW, IN NO EVENT SHALL THE COMPANY BE LIABLE FOR ANY SPECIAL, INCIDENTAL, INDIRECT, OR CONSEQUENTIAL DAMAGES WHATSOEVER (INCLUDING, WITHOUT LIMITATION, DAMAGES FOR LOSS OF BUSINESS PROFITS, BUSINESS INTERRUPTION OR ANY OTHER PECUNIARY LOSS) ARISING OUT OF THE USE OF THE PRODUCTS PURCHASED, EVEN IF THE COMPANY HAS BEEN ADVISED OF THE POSSIBILITY OF SUCH DAMAGES. THE COMPANY'S LIABILITY TO THE PURCHASER (OR ANY OTHER PARTY) HEREUNDER, IF ANY, SHALL IN NO EVENT EXCEED THE PURCHASE PRICE OF THE PRODUCTS PAID TO THE COMPANY.

Corporate Headquarters

Corporate Voice 973-839-1011 - Fax 973-839-1976 / International Voice +1 973-839-8821 - Fax +1 973-839-4982
middleatlantic.com - info@middleatlantic.com

Middle Atlantic Canada

Voice 613-836-2501 - Fax 613-836-2690 / middleatlantic.ca - customerservicecanada@middleatlantic.ca

Factory Distribution

USA: NJ - CA - IL Canada: ON - BC

At Middle Atlantic Products we are always listening. Your comments are welcome.

Middle Atlantic Products is an ISO 9001 Registered Company.

Page 4



30% Recycled Paper