

# Slim 5 Series

## 19" equipment racks

versatile rack frame system satisfies many design requirements

### features:

- Available in 20" and 26" useable depths to accommodate deeper equipment
- Wide range of cabinet options makes rack adaptable to a multitude of different installation environments
- Ready-to-assemble design saves space and freight
- Optional removable steel side panels provide security while attractive thermolaminate side panel and options provides aesthetic appeal for home and studio installations
- Optional casters can be bolted directly to bottom of rack or concealed in skirted base
- Unique mechanically interlocking corner joint is central to each unit's exceptional strength and eases assembly



top shown with optional 5-FAN-K fan kit



### specifications:

EIA compliant 19" gangable ready-to-assemble equipment rack shall be Middle Atlantic Products model # 5-\_\_ (refer to chart). Overall dimensions of rack shall be 19.125" W x \_\_" D x \_\_" H, with a useable height of \_\_ rack spaces (refer to chart). Rack shall have a 400 lb. weight capacity. Slim 5 series rack shall be of ready-to-assemble construction. Rack top, bottom and horizontal braces shall be phosphate pre-treated and finished in black powdercoat. Rack uprights shall be 11-gauge steel rackrail with tapped 10-32 mounting holes in universal EIA spacing with black e-coat finish and numbered rack spaces. Rack features eight 1/2" or 3/4" cable knockouts, four in top and four in base. Rack shall be UL listed in the US and Canada to the UL-2416 (NWIN) category. Rack shall be GREENGUARD Gold Certified. Rack shall meet the RoHS EU Directive 2011/65/EU. Rack shall be manufactured by an ISO 9001 and ISO 14001 registered company. Rack shall be warranted to be free from defects in material or workmanship under normal use and conditions for the lifetime of the rack.

Customizable specification clips available at [middleatlantic.com](http://middleatlantic.com)



PRODUCT CERTIFIED FOR  
LOW CHEMICAL EMISSIONS  
UL.COM/GG  
UL 2818



eco  
PASS  
PORT®



### options:

- Front doors\* shall be solid, model # DO-5-x, plexi model # DOP-5-x
- Removable side panels shall be constructed of either steel or 3/4" thermolaminate. Both include steel locking clips to secure side panels
- Rear access pan shall be constructed of steel and come with keylock
- Cable Chase kit shall be constructed of steel, 3 inches wide for wire clearance when ganging
- Adjustable Split Rackrail\* (for rear equipment support) shall be constructed of 11-gauge steel
- Casters, set of four, shall have a total weight capacity of 900 lbs.
- Leveling feet part # LF, shall be 3/8" threaded steel, and shall be adjustable from top or bottom
- Runner kit shall be 5-RSxx.
- Fan kit shall be 5-FAN-K and shall displace 114 CFM of free air
- Bracket required to mount vertical power shall be model PB-5A

\*NOTE: To use this option in a multi-bay configuration, a cable chase is required.

what **great systems** are built on.™

A brand of **legrand**

**Middle Atlantic Products**

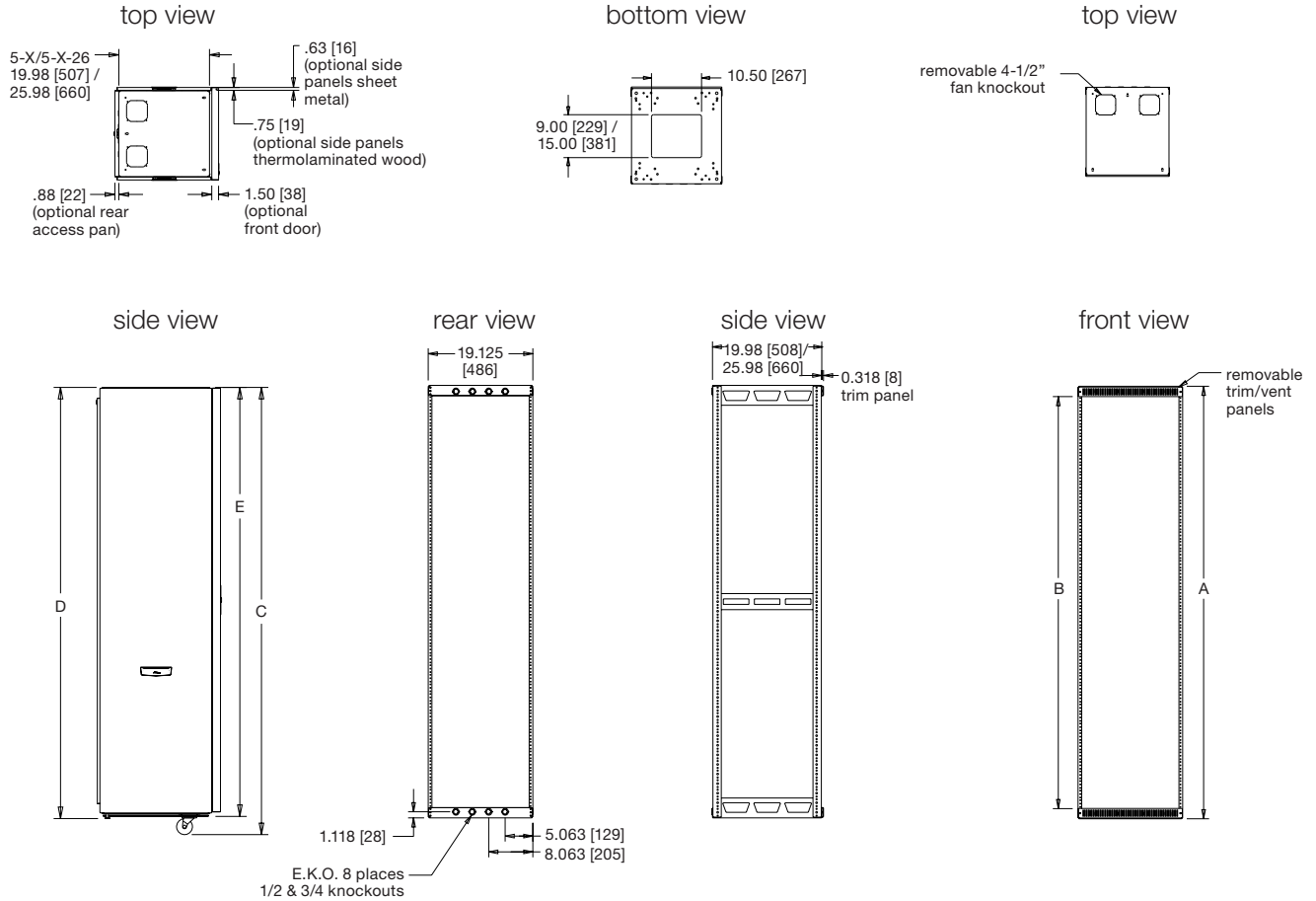
[middleatlantic.com](http://middleatlantic.com) | [middleatlantic.com](http://middleatlantic.com)

96-037 / rev j / 12-5-16

# Slim 5 Series

## basic dimensions

all dimensions in inches unless otherwise noted [all dimensions in brackets are in millimeters]



Note: Some dimensions are given for both 5-X and 5-X-26 in the form (5-X / 5-X-26)

Useable Depth Part #	Useable Depth	A Overall Height	B Racking Height	C Height w/ Casters	D Height w/ Leveling Feet	E Runner Kit
5-43	20 [508]	79.00 [2007]	75.25 [1911]	82.75 [2102]	79.38/79.75 [2016/2026]	79.25 [2013]
5-37	20 [508]	68.50 [1740]	64.75 [1645]	72.25 [1835]	68.88/69.25 [1750/1759]	68.75 [1746]
5-29	20 [508]	54.50 [1384]	50.75 [1289]	58.25 [1480]	54.88/55.25 [1394/1403]	54.75 [1390]
5-21	20 [508]	40.50 [1029]	36.75 [933]	44.25 [1124]	40.88/41.25 [1038/1048]	40.75 [1035]
5-14	20 [508]	28.25 [718]	24.50 [622]	32.00 [813]	28.63/29.00 [727/737]	28.50 [724]
5-8	20 [508]	17.75 [451]	14.00 [356]	21.50 [546]	18.13/18.50 [461/470]	18.00 [457]
5-43-26	26 [660]	79.00 [2007]	75.25 [1911]	82.75 [2102]	79.38/79.75 [2016/2026]	79.25 [2013]
5-37-26	26 [660]	68.50 [1740]	64.75 [1645]	72.25 [1835]	68.88/69.25 [1750/1759]	68.75 [1746]
5-29-26	26 [660]	54.50 [1384]	50.75 [1289]	58.25 [1480]	54.88/55.25 [1394/1403]	54.75 [1390]
5-21-26	26 [660]	40.50 [1029]	36.75 [933]	44.25 [1124]	40.88/41.25 [1038/1048]	40.75 [1035]
5-14-26	26 [660]	28.25 [718]	24.50 [622]	32.00 [813]	28.63/29.00 [727/737]	28.50 [724]
5-8-26	26 [660]	17.75 [451]	14.00 [356]	21.50 [546]	18.13/18.50 [461/470]	18.00 [457]

**Notes:**

- Side panels are .25" [6] shorter than the overall height of the Slim 5 Rack
- Add an additional .06" [2] to the "Height with casters" (C) for the skirted caster base option
- Skirted caster base is not a required option when using casters
- Runner kits (5-RS20 and 5-RS26) add 1/4" [6mm] to overall height of rack

what great systems are built on.™

A brand of **legrand**



**Middle Atlantic Products**

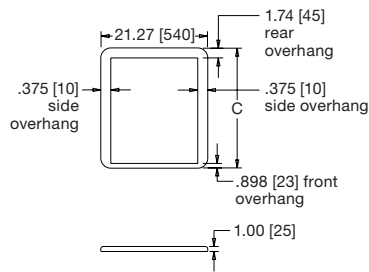
middleatlantic.com | middleatlantic.ca

# Slim 5 Series

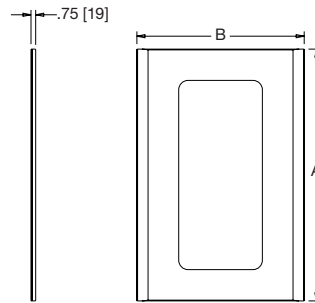
## basic dimensions

all dimensions in inches unless otherwise noted [all dimensions in brackets are in millimeters]

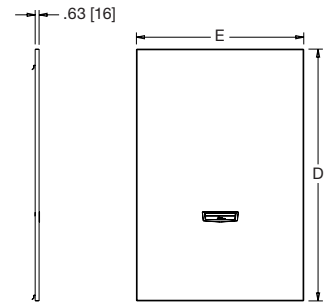
thermolaminate top view



thermolaminate side panel



steel side panel



Wood Side Panels (Pair)*	Wood Top*	Wood Top and Side Panels*	A Height	B Depth	C Depth	Fits
5-SP-14T	5-T-20T	5-TSP-14T	28.00 [712]	20.75 [528]	24.04 [611]	5-14
5-SP-21T	5-T-20T	5-TSP-21T	40.25 [1023]	20.75 [528]	24.04 [611]	5-21
5-SP-29T	5-T-20T	5-TSP-29T	54.25 [1378]	20.75 [528]	24.04 [611]	5-29
5-SP-37T	5-T-20T	5-TSP-37T	68.25 [1734]	20.75 [528]	24.04 [611]	5-37
5-SP-43T	5-T-20T	5-TSP-43T	78.75 [2001]	20.75 [528]	24.04 [611]	5-43
5-SP-14-26T	5-T-26T	5-TSP-14-26T	28.00 [712]	26.75 [680]	30.04 [764]	5-14-26
5-SP-21-26T	5-T-26T	5-TSP-21-26T	40.25 [1023]	26.75 [680]	30.04 [764]	5-21-26
5-SP-29-26T	5-T-26T	5-TSP-29-26T	54.25 [1378]	26.75 [680]	30.04 [764]	5-29-26
5-SP-37-26T	5-T-26T	5-TSP-37-26T	68.25 [1734]	26.75 [680]	30.04 [764]	5-37-26
5-SP-43-26T	5-T-26T	5-TSP-43-26T	78.75 [2001]	26.75 [680]	30.04 [764]	5-43-26

\*Refer to middleatlantic.com for available finishes, FIN-XX, which must also be specified

Steel Side Panels, Pair	D Height	E Depth	Fits
SP-5-8**	17.50 [445]	20.75 [528]	5-8
SP-5-14**	28.00 [712]	20.75 [528]	5-14
SP-5-21	40.25 [1023]	20.75 [528]	5-21
SP-5-29	54.25 [1378]	20.75 [528]	5-29
SP-5-37	68.25 [1734]	20.75 [528]	5-37
SP-5-43	78.75 [2201]	20.75 [528]	5-43
SP-5-8-26**	17.50 [445]	26.75 [680]	5-8-26
SP-5-14-26**	28.00 [712]	26.75 [680]	5-14-26
SP-5-21-26	40.25 [1023]	26.75 [680]	5-21-26
SP-5-29-26	54.25 [1378]	26.75 [680]	5-29-26
SP-5-37-26	68.25 [1734]	26.75 [680]	5-37-26
SP-5-43-26	78.75 [2201]	26.75 [680]	5-43-26

\*\*Does not have a handle