

BGR Series

19" gangable enclosures

The #1 AV Enclosure with innovative installation and servicing features designed to save time and labor.

features:

- All BGRs are now equipped with the revolutionary Forward rackrail giving you the ability to use Forward blank panels, vent panels, horizontal cable management and vertical cable management
- Provides more rackspace in a smaller overall height than similar racks
- Accepts patented Lever Lock™ tool free and hardware free internal device and cable management system accessories
- Fully welded construction provides the following weight capacities:
UL Listed load capacity: 3,000 lbs., Seismic certified capacity: 1,175 lbs.
- Pre-threaded ganging holes allow for rack joining after loading
- Rackrail depth indicators
- 1/2", 3/4", 1" & 1-1/2" electrical knockouts and 5/8" and 1/2" D UHF/VHF antennae knockouts on rear top & bottom, easily removable for cable pass-through. Top cable management plate (38 space and up) includes 1/2", 3/4", 1" 1-1/2" & 3" electrical knockouts and 5/8" and 1/2" D UHF/VHF antennae knockouts
- 23" OD width, multiple depths
- Two pairs of 11-gauge, 10-32 threaded rackrail with numbered rackspace increments
- Optional stackable 3" extender bay available for front and rear
- Optional curved and beveled front doors in solid, vented and plexiglass styles
- Attractive interior bevels
- Configurable open top with vertical cable management entry points
- Durable black textured powder coat finish
- Seismic certified (when used with BGR-Z4 or BGR-ISO-Z4 option) with an Ip value of 1.5
- UL Listed in the US and Canada



BGR shown with curved door and side panels



BGR shown with beveled door and side panels



PRODUCT CERTIFIED FOR
LOW CHEMICAL EMISSIONS
UL.COM/GG
UL 2818



WHAT GREAT SYSTEMS ARE BUILT ON™ | LEGRANDAV.COM

USA P 800.266.7225 E av.middleatlantic.support@legrand.com
CANADA P 888.766.9770 E av.middleatlantic.support@legrand.com

©2019 Middle Atlantic Products, Inc. All rights reserved. All other brand names or marks are used for identification purposes and are trademarks of their respective owners. All patents are protected under existing designations. Other patents pending.

legrand® | AV

COMMERCIAL BRANDS

C2G | Chief | Da-Lite | Luxul | Middle Atlantic | Vaddio | Wiremold

96-01149 / rev e / 8-23-19

BGR Series

19" gangable enclosures

specifications:

EIA compliant 19" gangable equipment rack shall be Middle Atlantic Products model #BGR-___-___ (see chart for available models). Overall dimensions of BGR shall be ___"H x 23"W x ___"D (refer to chart). Useable height of BGR shall be ___ rackspaces, useable depth shall be ___" (refer to chart). BGR shall come equipped with two pairs of fully adjustable steel rackrail with two 10-32 threaded holes per side of each marked rackspace, and a cage-nut style mount that is compatible with tool-free Forward Series rackmount accessories. BGR rackrail shall include cable management lacing provisions and accept tool-free Forward Series cable management accessories. BGR shall have .100" thick steel along rackrail brackets, .310" thick steel at corners. BGR shall include vented locking and latching rear door, which shall be capable of accepting up to six 4-1/2" fans. Top and bottom of BGR shall feature vertical slotted vent pattern for ventilation. BGR shall have two 1" x 7" rear obround knockouts with 1/2", 1", 1-1/4" and 1-1/2" electrical knockouts and 5/8" and 1/2" D UHF/ VHF antennae knockouts in base and top. BGR shall have a configurable open top with vertical cable management entry points. BGR shall accept patent-pending LeverLock™ tool free and hardware free internal cable and device management system accessories. BGR shall have pre-threaded 5/16"-18 ganging holes. BGR shall be capable of ganging while fully loaded, using bolts only. BGR shall have marked rackrail depth indicators. BGR shall be of fully welded construction. BGR shall be finished in an environmentally friendly, durable black powdercoat. Grounding and bonding studs shall be 1/4-20 threaded, installed in top and base of enclosure (19 and 25 space have stud in bottom only). Fully welded construction shall provide a UL Listed load capacity of 3,000 lbs. BGR Series enclosures shall satisfy the 1997 UBC; 2001, 2007 & 2010 CBC; 2000, 2003, 2006 & 2009 IBC; ASCE 7-02, ASCE 7-05, ASCE 7-10 and the 2003, 2006 & 2009 editions of NFPA 5000 for use in areas of high seismicity, Seismic Use Group III, Zone 4 or Seismic Design Category (SDC) "D" with lateral force requirements for protecting 1,175 lbs. of essential equipment in locations with the highest level of seismicity and top floor or rooftop installations with an Importance factor (Ip) of 1.5 when used with BGR-Z4 or BGR-ISO-Z4 (isolated) seismic floor anchor bracket. BGR shall be OSHPD approved for fixed equipment anchorage in California healthcare facilities. BGR shall be UL Listed in the US and Canada. BGR shall be GREENGUARD Gold Certified. BGR enclosure shall meet the RoHS EU Directive 2011/65/EU. BGR shall be manufactured by an ISO 9001 and ISO 14001 registered company. BGR enclosure shall be warranted to be free from defects in material or workmanship under normal use and conditions for the lifetime of the rack.

Customizable specification clips available at middleatlantic.com

Part #	Rackspaces	"A" Overall Height	"B" Racking Height	"C" Depth	"D" Useable Depth
BGR-1927	19	37.375 [949]	33.375 [848]	27 [686]	24.4 [620]
BGR-2527	25	47.875 [1216]	43.875 [1114]	27 [686]	24.4 [620]
BGR-3827	38	70.625 [1794]	66.625 [1692]	27 [686]	24.4 [620]
BGR-4127	41	75.875 [1927]	71.875 [1826]	27 [686]	24.4 [620]
BGR-4527	45	82.875 [2105]	78.875 [2003]	27 [686]	24.4 [620]
BGR-2532	25	47.875 [1216]	43.875 [1114]	32 [812]	29.4 [747]
BGR-3832	38	70.625 [1794]	66.625 [1692]	32 [812]	29.4 [747]
BGR-4132	41	75.875 [1927]	71.875 [1826]	32 [812]	29.4 [747]
BGR-4532	45	82.875 [2105]	78.875 [2003]	32 [812]	29.4 [747]
BGR-4138	41	75.875 [1927]	71.875 [1826]	38 [965]	35.4 [899]
BGR-4538	45	82.875 [2105]	78.875 [2003]	38 [965]	35.4 [899]

options:

- Lever Lock™ tool free and hardware free internal device and cable management system accessories shall be model # LL-XXYY (XX = type, YY = size, refer to middleatlantic.com for additional details)
- Curved front doors shall be model # VFD-XXA (vented, 64% open area), PFD-XXA (plexi), (XX= # of rackspaces)
- Beveled front doors shall be model # BFD-XX (solid), BVFD-XX (vented, 64% open area), BPFD-XX (plexi), (XX= # of rackspaces)
- Front or Rear Extender, adds 3" of usable depth, model # BGR-___-EXT3 (41,45)
- Cable entry rear door, shall be model # BGR-RDC___ (19, 25, 38, 41, 45)
- Inner platform base shall be BS-BGR
- Forward UPS Caster Base shall be FWD-CBS-2KVA-BGRXX and have a weight capacity of 1,038 lbs. and raise total rack height 7.42" (XX=Depth)
- Forward UPS Base shall be FWD-BS-2KVA-BGRXX and raise total rack height 5.66" (XX=Depth)
- Caster kit shall add 1" to overall height, include four casters with a 1,100 lb. weight capacity, and shall be model # CBS-BGR
- Rear rail kit shall be model # FWD-BGR-RRXX (XX=# of rackspaces)
- Removable keylocked side panels shall be model # BSPN-XX-YY (XX=rackspaces, YY=depth)
- Seismic Zone 4, Seismic Use Group III and Seismic Design Category "D" compliancy kit shall be model # BGR-Z4
- Seismic Zone 4, Seismic Use Group III and Seismic Design Category "D" compliancy and isolation kit shall be model # BGR-ISO-Z4
- Seismic Zone 4, Seismic Use Group III and Seismic Design Category "D" riser bases shall be SRB-(1,2,3)-BGR-(32, 38)24
- Isolation kit shall be model # BGR-ISO
- Front decorative trim shall be BGR-TRIM___(45,41,38, 25, 19) and shall include the following colors: Green (pre-installed), Red, Black, Blue & White



WHAT GREAT SYSTEMS ARE BUILT ON™ | LEGRANDAV.COM

USA P 800.266.7225 E av.middleatlantic.support@legrand.com
 CANADA P 888.766.9770 E av.middleatlantic.support@legrand.com

©2019 Middle Atlantic Products, Inc. All rights reserved. All other brand names or marks are used for identification purposes and are trademarks of their respective owners. All patents are protected under existing designations. Other patents pending.



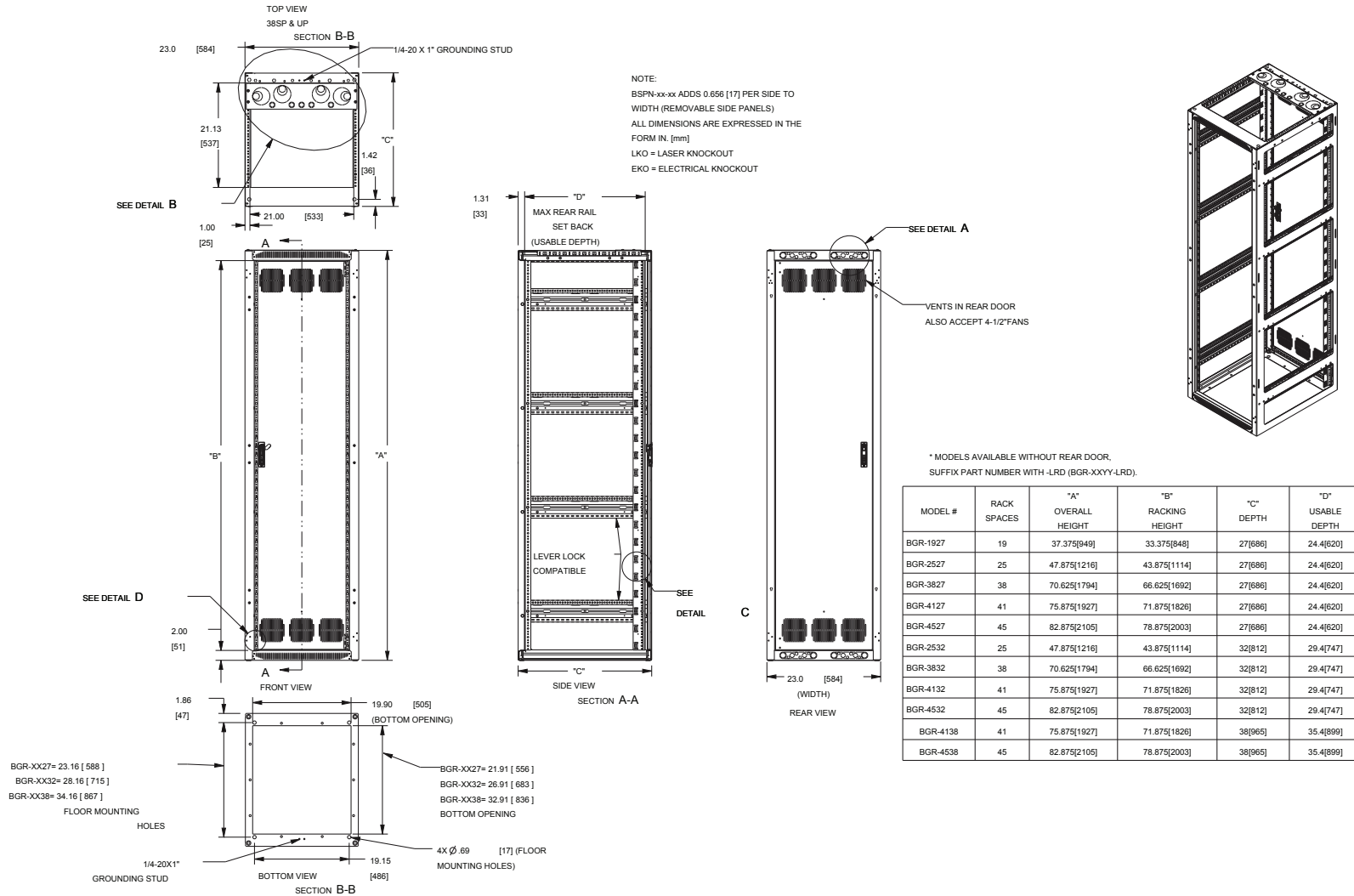
COMMERCIAL BRANDS

C2G | Chief | Da-Lite | Luxul | Middle Atlantic | Vaddio | Wiremold

96-01149 / rev e / 8-23-19

BGR Series

basic dimensions



WHAT GREAT SYSTEMS ARE BUILT ON™ | LEGRANDAV.COM

USA P 800.266.7225 E av.middleatlantic.support@legrand.com
CANADA P 888.766.9770 E av.middleatlantic.support@legrand.com

©2019 Middle Atlantic Products, Inc. All rights reserved. All other brand names or marks are used for identification purposes and are trademarks of their respective owners. All patents are protected under existing designations. Other patents pending.

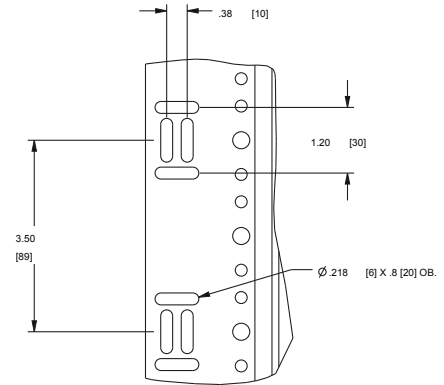
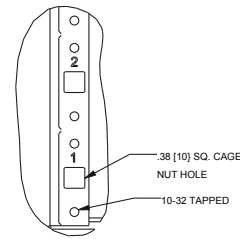
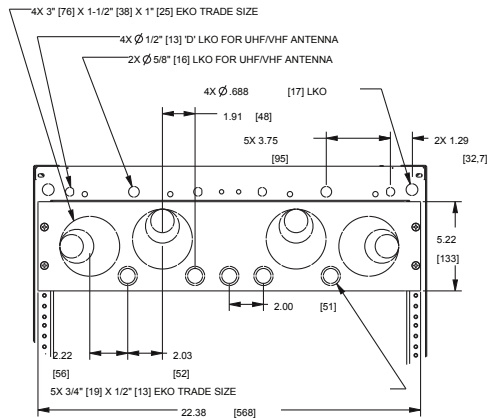
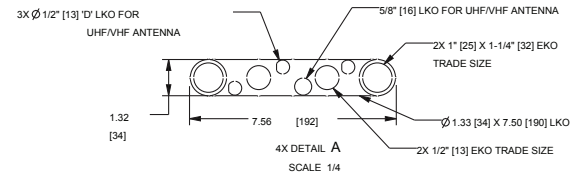
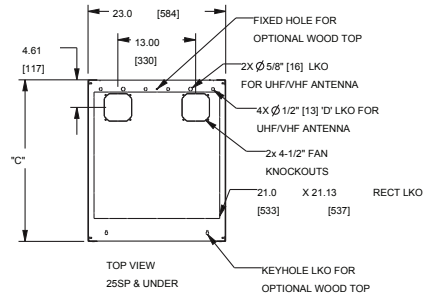


COMMERCIAL BRANDS

C2G | Chief | Da-Lite | Luxul | Middle Atlantic | Vaddio | Wiremold

BGR Series

basic dimensions



WHAT GREAT SYSTEMS ARE BUILT ON™ | LEGRANDAV.COM

USA P 800.266.7225 E av.middleatlantic.support@legrand.com
 CANADA P 888.766.9770 E av.middleatlantic.support@legrand.com

©2019 Middle Atlantic Products, Inc. All rights reserved. All other brand names or marks are used for identification purposes and are trademarks of their respective owners. All patents are protected under existing designations. Other patents pending.

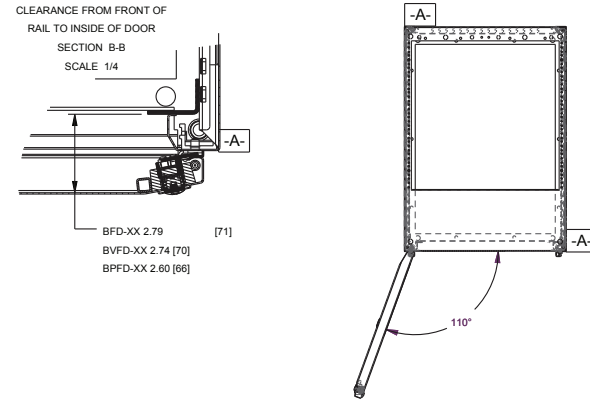
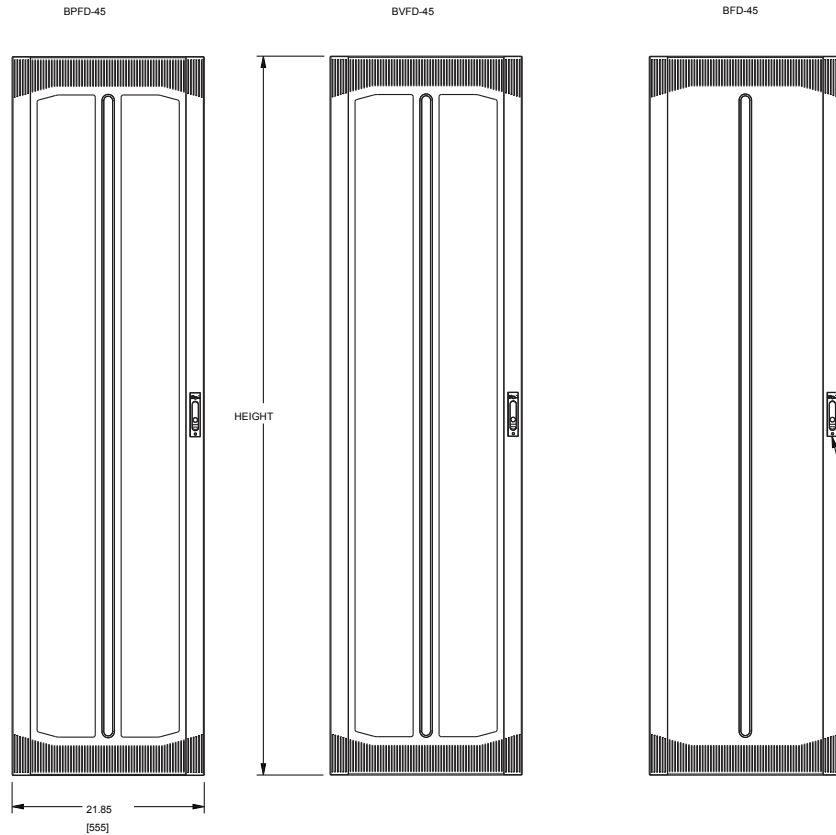


COMMERCIAL BRANDS

C2G | Chief | Da-Lite | Luxul | Middle Atlantic | Vaddio | Wiremold

BGR Series

curved & beveled doors basic dimensions



SOLID DOOR	VENTED DOOR	PLEXI DOOR	RACK SPACES	HEIGHT
BFD-19	BVFD-19	BPFD-19	19	36.22 [920]
BFD-25	BVFD-25	BPFD-25	25	46.72 [1187]
BFD-38	BVFD-38	BPFD-38	38	69.47 [1765]
BFD-41	BVFD-41	BPFD-41	41	74.72 [1898]
BFD-45	BVFD-45	BPFD-45	45	81.72 [2076]

NOTE(S):
 1) ALL DIMENSIONS ARE IN THE FORMAT IN [mm]
 2) DOOR OPENS TO 110°



WHAT GREAT SYSTEMS ARE BUILT ON™ | LEGRANDAV.COM

USA P 800.266.7225 E av.middleatlantic.support@legrand.com
 CANADA P 888.766.9770 E av.middleatlantic.support@legrand.com

©2019 Middle Atlantic Products, Inc. All rights reserved. All other brand names or marks are used for identification purposes and are trademarks of their respective owners. All patents are protected under existing designations. Other patents pending.



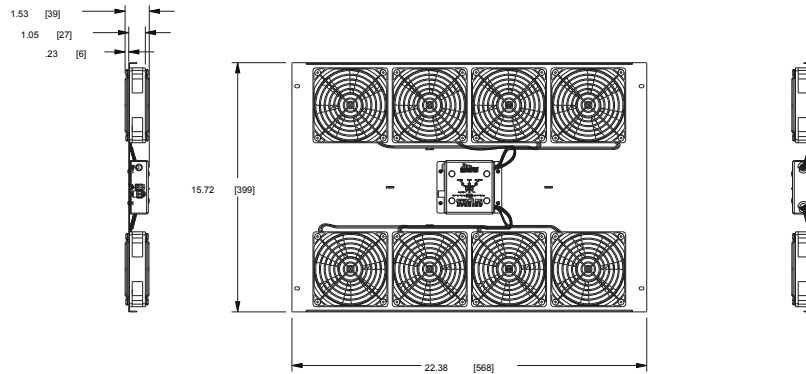
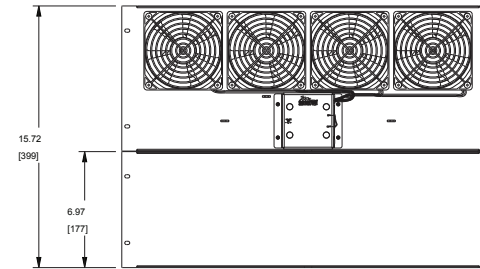
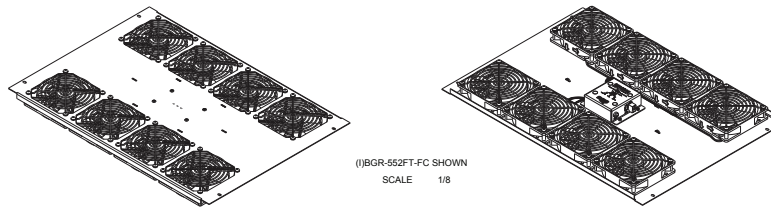
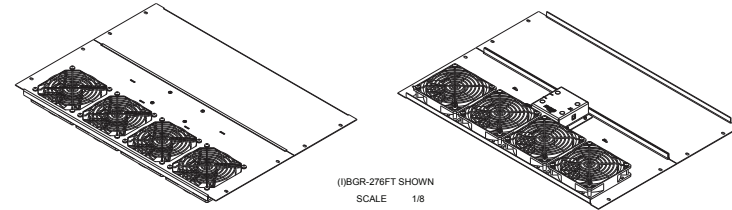
COMMERCIAL BRANDS

C2G | Chief | Da-Lite | Luxul | Middle Atlantic | Vaddio | Wiremold

BGR Series

fan top basic dimensions

PART NUMBER	FAN CONTROL	FAN QUANTITY	AIRFLOW CFM [M3/MIN]	NOISE @ FULL SPEED	CURRENT DRAW
(I)BGR-276FT		4	276 [7.8]	35 dBA	620mA @ 12VDC
(I)BGR-276FT-FC	X	4	276 [7.8]	35 dBA	620mA @ 12VDC
(I)BGR-552FT		8	552 [15.6]	38 dBA	1.24A @ 12VDC
(I)BGR-552FT-FC	X	8	552 [15.6]	38 dBA	1.24A @ 12VDC



NOTE(S):
 1. ALL DIMENSIONS SHOWN: IN [MM]
 2. TURN ON TEMPERATURE FOR FAN CONTROLLED MODELS CAN BE SET AT 75F (24C), 80F (27C), 85F (29C), OR 90F (32C). ALARM CAN BE SET AT 95F (35C) OR 100F (38F).
 3. "I" PREFIX INDICATES INTERNATIONAL FAN TOP MODELS. INTERNATIONAL MODELS COME WITH A UNIVERSAL VOLTAGE PLUG-IN POWER SUPPLY AND ADAPTERS.



WHAT GREAT SYSTEMS ARE BUILT ON™ | LEGRANDAV.COM

USA P 800.266.7225 E av.middleatlantic.support@legrand.com
 CANADA P 888.766.9770 E av.middleatlantic.support@legrand.com

©2019 Middle Atlantic Products, Inc. All rights reserved. All other brand names or marks are used for identification purposes and are trademarks of their respective owners. All patents are protected under existing designations. Other patents pending.

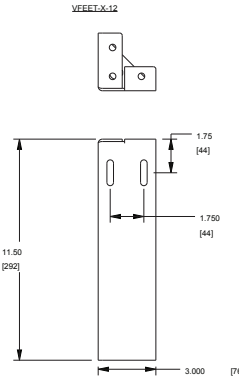
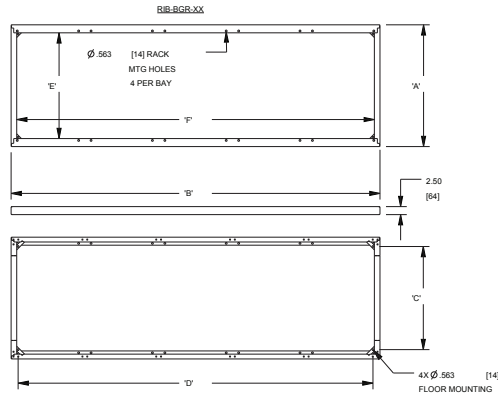


COMMERCIAL BRANDS

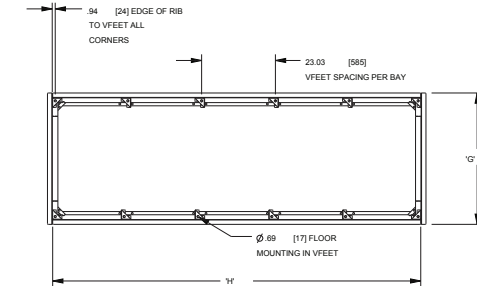
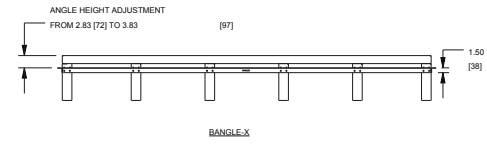
C2G | Chief | Da-Lite | Luxul | Middle Atlantic | Vaddio | Wiremold

BGR Series

riser bases basic dimensions



NOTE(S):
 1. DIMENSION FORMAT SHOWN IN [MM]
 2. 27", 32" AND 38" DEEP MODELS ARE REPRESENTED IN THIS DRAWING.
 (RIB-X-BGR-27 / RIB-X-BGR-32 / RIB-X-BGR-38)



PART NUMBER	'A' DEPTH	'B' WIDTH	'C' DEPTH MTNG HOLE C TO C	'D' WIDTH MTNG HOLE C TO C	'E' OPENING DEPTH	'F' OPENING WIDTH	VFEET (QTY OF FEET)	ANGLE	'G' ANGLE DEPTH	'H' ANGLE WIDTH
RIB-1-BGR-27	27.00 [686]	23.00 [584]	21.18 [538]	18.62 [473]	22.00 [559]	19.5 [495]	VFEET-1-12 (4)	BANGLE-1	30.00 [762]	22.75 [578]
RIB-1-BGR-32	32.00 [813]	23.00 [584]	26.18 [665]	18.62 [473]	27.00 [686]	19.5 [495]	VFEET-1-12 (4)	BANGLE-1	30.00 [762]	22.75 [578]
RIB-1-BGR-38	38.00 [965]	23.00 [584]	32.18 [817]	18.62 [473]	33.00 [838]	19.5 [495]	VFEET-1-12 (4)	BANGLE-1-38	41.00 [1041]	22.75 [578]
RIB-2-BGR-27	27.00 [686]	46.03 [1169]	21.18 [538]	41.65 [1058]	22.00 [559]	42.53 [1080]	VFEET-2-12 (6)	BANGLE-2	30.00 [762]	45.78 [1163]
RIB-2-BGR-32	32.00 [813]	46.03 [1169]	26.18 [665]	41.65 [1058]	27.00 [686]	42.53 [1080]	VFEET-2-12 (6)	BANGLE-2	30.00 [762]	45.78 [1163]
RIB-2-BGR-38	38.00 [965]	46.03 [1169]	32.18 [817]	41.65 [1058]	33.00 [838]	42.53 [1080]	VFEET-2-12 (6)	BANGLE-2-38	41.00 [1041]	45.78 [1163]
RIB-3-BGR-27	27.00 [686]	69.06 [1754]	21.18 [538]	64.68 [1643]	22.00 [559]	65.56 [1665]	VFEET-3-12 (8)	BANGLE-3	30.00 [762]	68.81 [1748]
RIB-3-BGR-32	32.00 [813]	69.06 [1754]	26.18 [665]	64.68 [1643]	27.00 [686]	65.56 [1665]	VFEET-3-12 (8)	BANGLE-3	30.00 [762]	68.81 [1748]
RIB-3-BGR-38	38.00 [965]	69.06 [1754]	32.18 [817]	64.68 [1643]	33.00 [838]	65.56 [1665]	VFEET-3-12 (8)	BANGLE-3-38	41.00 [1041]	68.81 [1748]
RIB-4-BGR-27	27.00 [686]	92.09 [2339]	21.18 [538]	87.71 [2228]	22.00 [559]	88.59 [2250]	VFEET-4-12 (10)	BANGLE-4	30.00 [762]	91.84 [2333]
RIB-4-BGR-32	32.00 [813]	92.09 [2339]	26.18 [665]	87.71 [2228]	27.00 [686]	88.59 [2250]	VFEET-4-12 (10)	BANGLE-4	30.00 [762]	91.84 [2333]
RIB-4-BGR-38	38.00 [965]	92.09 [2339]	32.18 [817]	87.71 [2228]	33.00 [838]	88.59 [2250]	VFEET-4-12 (10)	BANGLE-4-38	41.00 [1041]	91.84 [2333]
RIB-5-BGR-27	27.00 [686]	115.12 [2924]	21.18 [538]	110.74 [2813]	22.00 [559]	111.62 [2835]	VFEET-5-12 (12)	BANGLE-5	30.00 [762]	114.87 [2918]
RIB-5-BGR-32	32.00 [813]	115.12 [2924]	26.18 [665]	110.74 [2813]	27.00 [686]	111.62 [2835]	VFEET-5-12 (12)	BANGLE-5	30.00 [762]	114.87 [2918]
RIB-5-BGR-38	38.00 [965]	115.12 [2924]	32.18 [817]	110.74 [2813]	33.00 [838]	111.62 [2835]	VFEET-5-12 (12)	BANGLE-5-38	41.00 [1041]	114.87 [2918]



WHAT GREAT SYSTEMS ARE BUILT ON™ | LEGRANDAV.COM

USA P 800.266.7225 E av.middleatlantic.support@legrand.com
 CANADA P 888.766.9770 E av.middleatlantic.support@legrand.com

©2019 Middle Atlantic Products, Inc. All rights reserved. All other brand names or marks are used for identification purposes and are trademarks of their respective owners. All patents are protected under existing designations. Other patents pending.

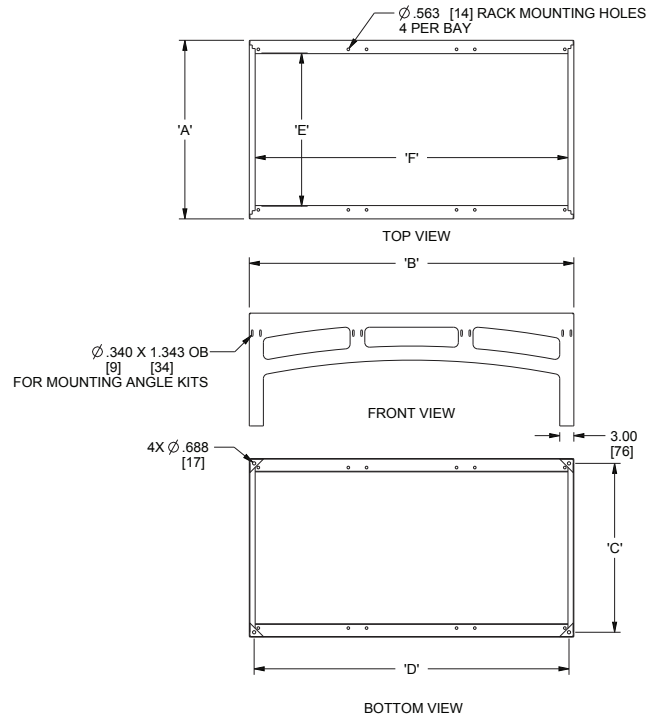


COMMERCIAL BRANDS

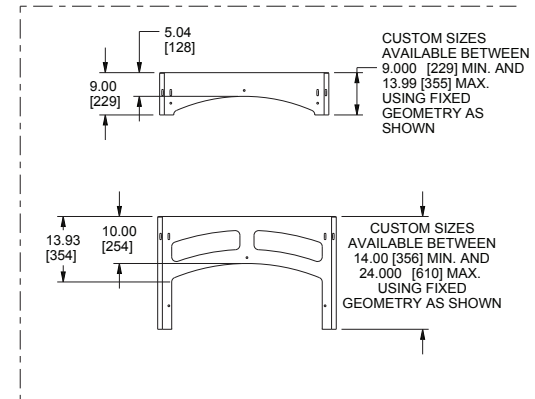
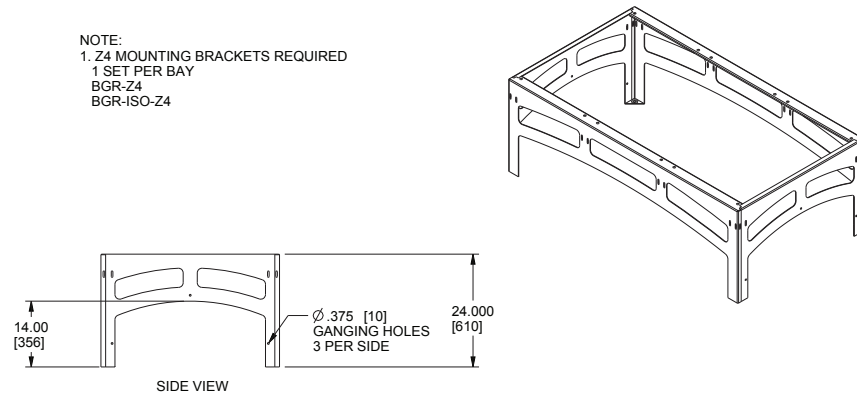
C2G | Chief | Da-Lite | Luxul | Middle Atlantic | Vaddio | Wiremold

BGR Series

seismic riser base basic dimensions



NOTE:
1. Z4 MOUNTING BRACKETS REQUIRED
1 SET PER BAY
BGR-Z4
BGR-ISO-Z4



PART NUMBER	'A' DEPTH	'B' WIDTH	'C' DEPTH MTNG HOLE C TO C	'D' WIDTH MTNG HOLE C TO C	'E' OPENING DEPTH	'F' OPENING WIDTH	ANGLE KITS
SRB-1-BGR-3224	32.00 [813]	23.00 [584]	29.94 [761]	20.94 [532]	26.58 [675]	20.50 [521]	BANGLE-1
SRB-2-BGR-3224	32.00 [813]	46.03 [1169]	29.94 [761]	43.97 [1117]	26.58 [675]	43.53 [1106]	BANGLE-2
SRB-3-BGR-3224	32.00 [813]	69.06 [1754]	29.94 [761]	67.00 [1702]	26.58 [675]	66.56 [1691]	BANGLE-3
SRB-1-BGR-3824	38.00 [965]	23.00 [584]	35.94 [913]	20.94 [532]	32.58 [828]	20.50 [521]	BANGLE-1-38
SRB-2-BGR-3824	38.00 [965]	46.03 [1169]	35.94 [913]	43.97 [1117]	32.58 [828]	43.53 [1106]	BANGLE-2-38
SRB-3-BGR-3824	38.00 [965]	69.06 [1754]	35.94 [913]	67.00 [1702]	32.58 [828]	66.56 [1691]	BANGLE-3-38



WHAT GREAT SYSTEMS ARE BUILT ON™ | LEGRANDAV.COM

USA P 800.266.7225 E av.middleatlantic.support@legrand.com
CANADA P 888.766.9770 E av.middleatlantic.support@legrand.com

©2019 Middle Atlantic Products, Inc. All rights reserved. All other brand names or marks are used for identification purposes and are trademarks of their respective owners. All patents are protected under existing designations. Other patents pending.

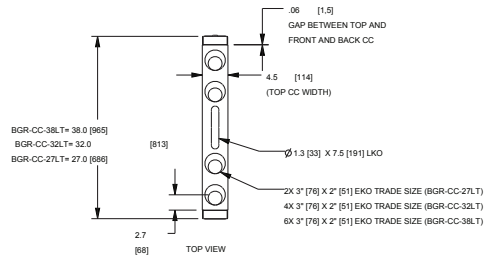


COMMERCIAL BRANDS

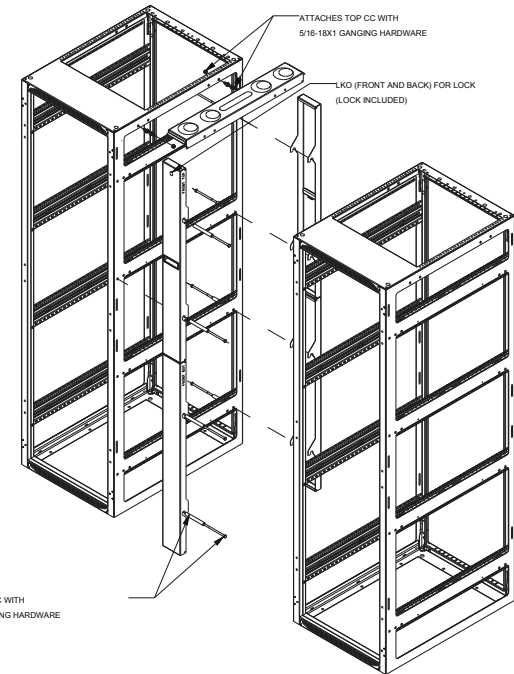
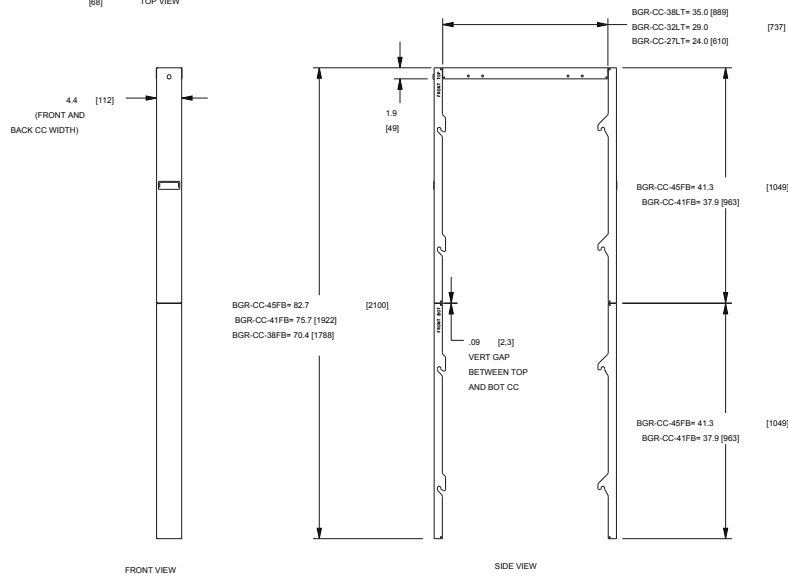
C2G | Chief | Da-Lite | Luxul | Middle Atlantic | Vaddio | Wiremold

BGR Series

front / rear extender basic dimensions



PART #	USED ON
BGR-CC-45FB	BGR-45XX, BGR-45SA-XX
BGR-CC-41FB	BGR-41XX, BGR-41SA-XX
BGR-CC-38FB	BGR-38XX, BGR-38SA-XX
BGR-CC-38LT	BGR-XX38
BGR-CC-32LT	BGR-XX32, BGR-XXSA-32
BGR-CC-27LT	BGR-XX27, BGR-XXSA-27



NOTE:
 DIMENSION FORMAT SHOWN IN [MM]
 BGR-CC-45FB/BGR-CC-41FB INCLUDES FOUR PIECES AND
 BGR-CC-38FB INCLUDE TWO PIECE.
 LKO = LASER KNOCKOUT
 EKO = ELECTRICAL KNOCKOUT



WHAT GREAT SYSTEMS ARE BUILT ON™ | LEGRANDAV.COM

USA P 800.266.7225 E av.middleatlantic.support@legrand.com
 CANADA P 888.766.9770 E av.middleatlantic.support@legrand.com

©2019 Middle Atlantic Products, Inc. All rights reserved. All other brand names or marks are used for identification purposes and are trademarks of their respective owners. All patents are protected under existing designations. Other patents pending.

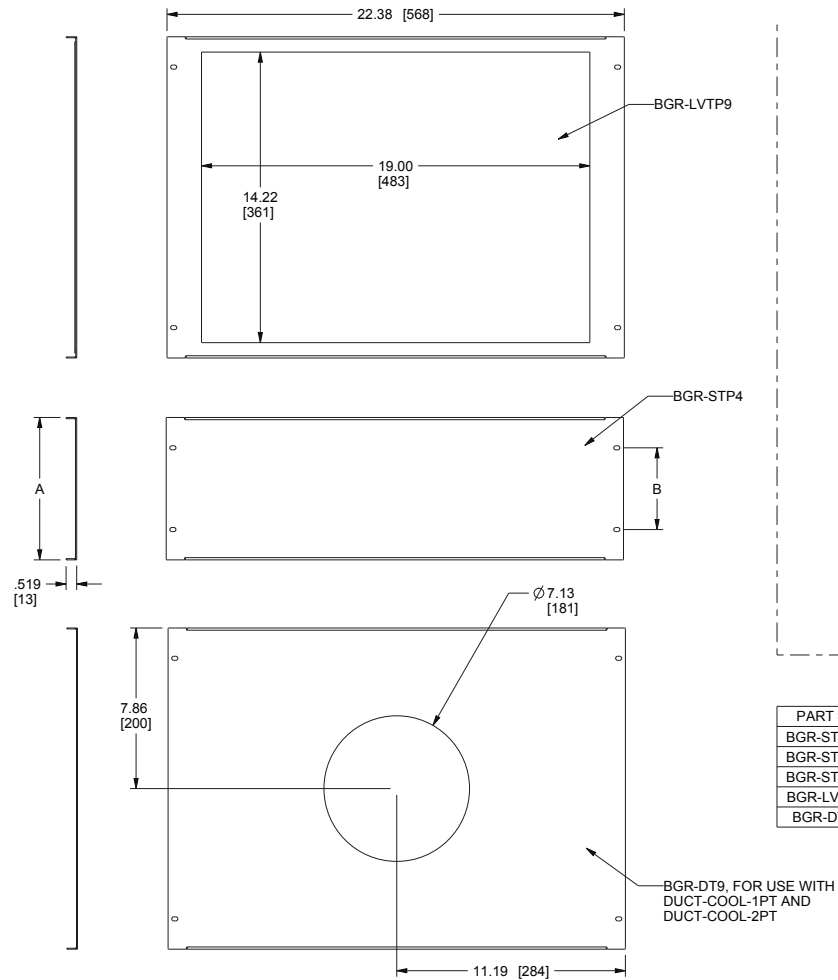


COMMERCIAL BRANDS

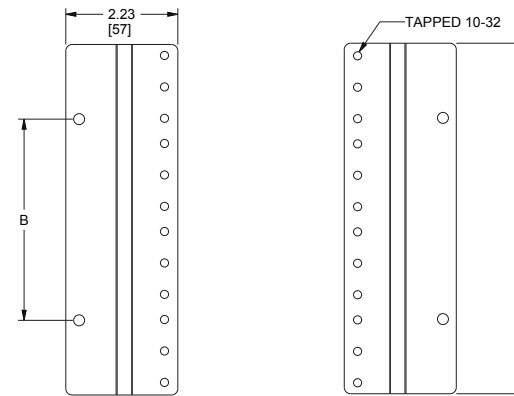
C2G | Chief | Da-Lite | Luxul | Middle Atlantic | Vaddio | Wiremold

BGR Series

top panel/rail basic dimensions



REV	DESCRIPTION	REV BY	REV DATE	APPD BY	DATE APP.
-	PRODUCTION RELEASE	////	////	NC	07/27/11
A	EC 7833 - ADD BGR-DT9 SPECS	DCR	07/07/15	AP	07/10/15



PART #	A	B	RACK SPACES
BGR-TRR4	6.97 [177]	4.00 [102]	4
BGR-TRR9	15.72 [399]	12.75 [324]	9

PART #	A	B	TYPE	MATERIAL	OPEN AREA
BGR-STP3	5.22 [133]	2.25 [57]	SOLID	ALUM	-
BGR-STP4	6.97 [177]	4.00 [102]	SOLID	ALUM	-
BGR-STP9	15.72 [399]	12.75 [324]	SOLID	STEEL	-
BGR-LVT9	15.72 [399]	12.75 [324]	VENTED	STEEL	64%
BGR-DT9	15.72 [399]	12.75 [324]	DUCT TOP	STEEL	-



WHAT GREAT SYSTEMS ARE BUILT ON™ | LEGRANDAV.COM

USA P 800.266.7225 E av.middleatlantic.support@legrand.com
 CANADA P 888.766.9770 E av.middleatlantic.support@legrand.com

©2019 Middle Atlantic Products, Inc. All rights reserved. All other brand names or marks are used for identification purposes and are trademarks of their respective owners. All patents are protected under existing designations. Other patents pending.

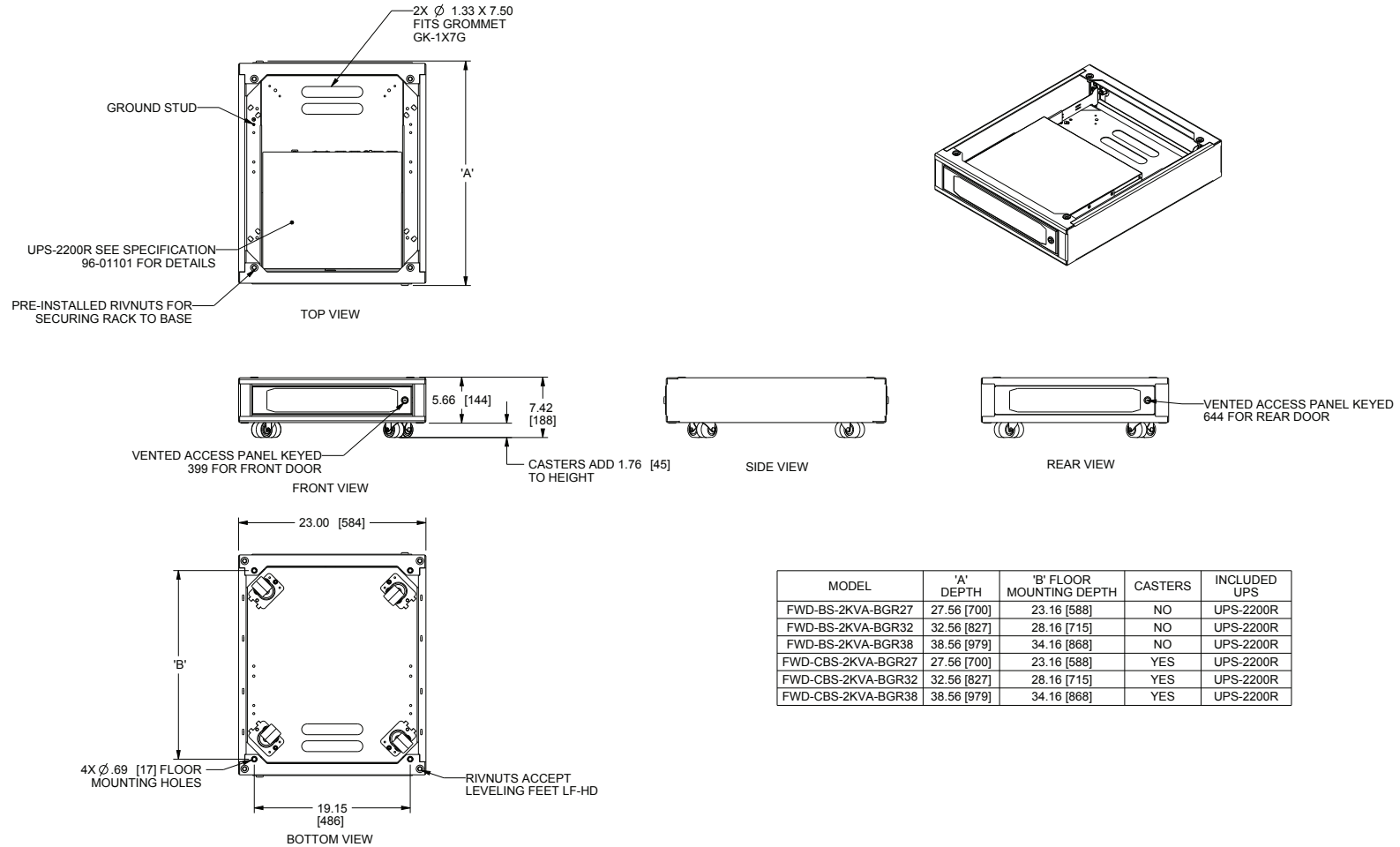


COMMERCIAL BRANDS

C2G | Chief | Da-Lite | Luxul | Middle Atlantic | Vaddio | Wiremold

BGR Series

UPS base basic dimensions



MODEL	'A' DEPTH	'B' FLOOR MOUNTING DEPTH	CASTERS	INCLUDED UPS
FWD-BS-2KVA-BGR27	27.56 [700]	23.16 [588]	NO	UPS-2200R
FWD-BS-2KVA-BGR32	32.56 [827]	28.16 [715]	NO	UPS-2200R
FWD-BS-2KVA-BGR38	38.56 [979]	34.16 [868]	NO	UPS-2200R
FWD-CBS-2KVA-BGR27	27.56 [700]	23.16 [588]	YES	UPS-2200R
FWD-CBS-2KVA-BGR32	32.56 [827]	28.16 [715]	YES	UPS-2200R
FWD-CBS-2KVA-BGR38	38.56 [979]	34.16 [868]	YES	UPS-2200R



WHAT GREAT SYSTEMS ARE BUILT ON™ | LEGRANDAV.COM

USA P 800.266.7225 E av.middleatlantic.support@legrand.com
CANADA P 888.766.9770 E av.middleatlantic.support@legrand.com

©2019 Middle Atlantic Products, Inc. All rights reserved. All other brand names or marks are used for identification purposes and are trademarks of their respective owners. All patents are protected under existing designations. Other patents pending.

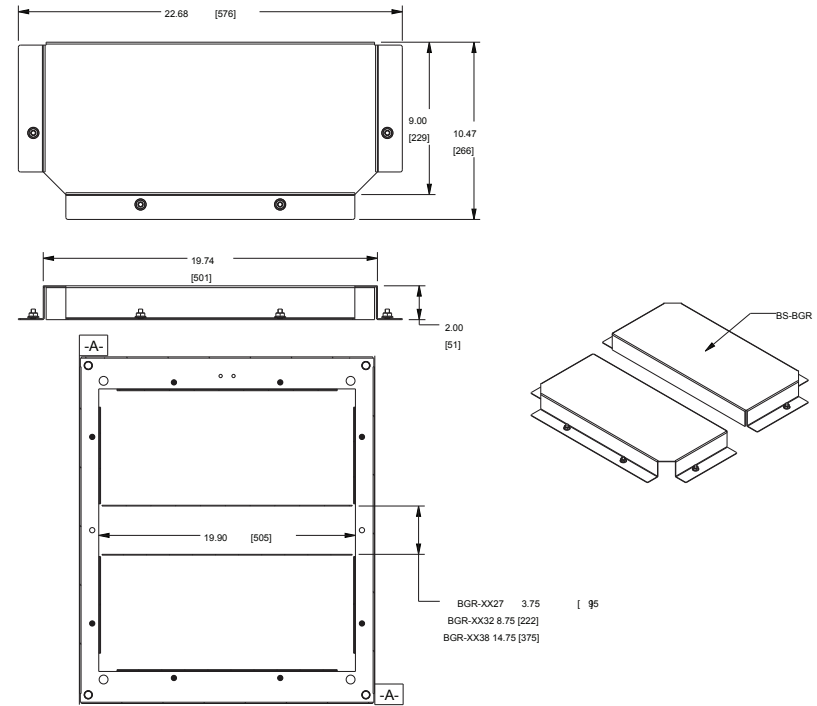
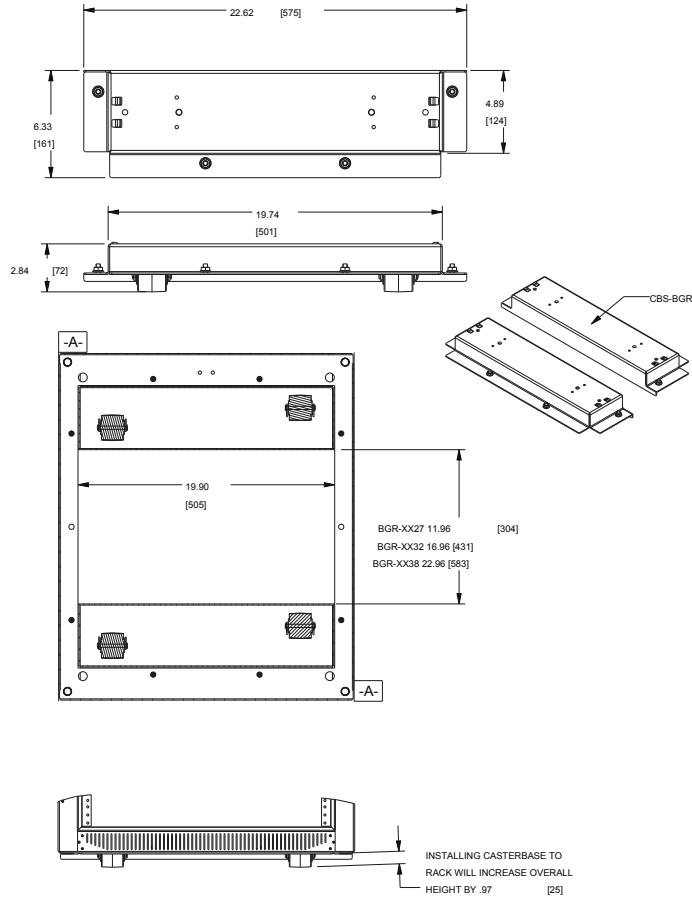


COMMERCIAL BRANDS

C2G | Chief | Da-Lite | Luxul | Middle Atlantic | Vaddio | Wiremold

BGR Series

caster base / inner platform base basic dimensions



NOTE(S):
1) DIMENSIONS SHOWN IN THE FORMAT OF IN [mm].



WHAT GREAT SYSTEMS ARE BUILT ON™ | LEGRANDAV.COM

USA P 800.266.7225 E av.middleatlantic.support@legrand.com
CANADA P 888.766.9770 E av.middleatlantic.support@legrand.com

©2019 Middle Atlantic Products, Inc. All rights reserved. All other brand names or marks are used for identification purposes and are trademarks of their respective owners. All patents are protected under existing designations. Other patents pending.

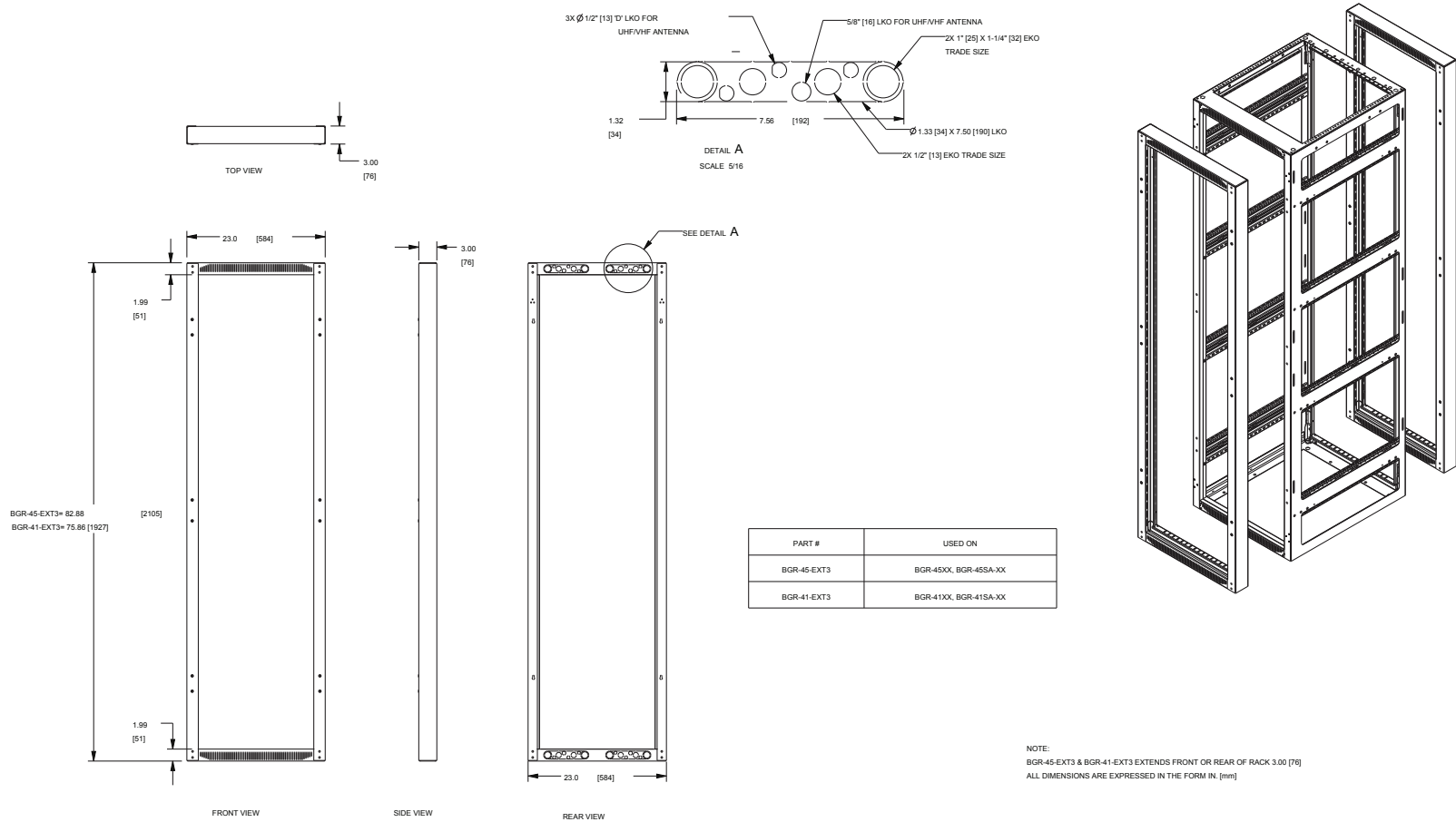


COMMERCIAL BRANDS

C2G | Chief | Da-Lite | Luxul | Middle Atlantic | Vaddio | Wiremold

BGR Series

front/rear extender & cable chase basic dimensions



WHAT GREAT SYSTEMS ARE BUILT ON™ | LEGRANDAV.COM

USA P 800.266.7225 E av.middleatlantic.support@legrand.com
CANADA P 888.766.9770 E av.middleatlantic.support@legrand.com

©2019 Middle Atlantic Products, Inc. All rights reserved. All other brand names or marks are used for identification purposes and are trademarks of their respective owners. All patents are protected under existing designations. Other patents pending.

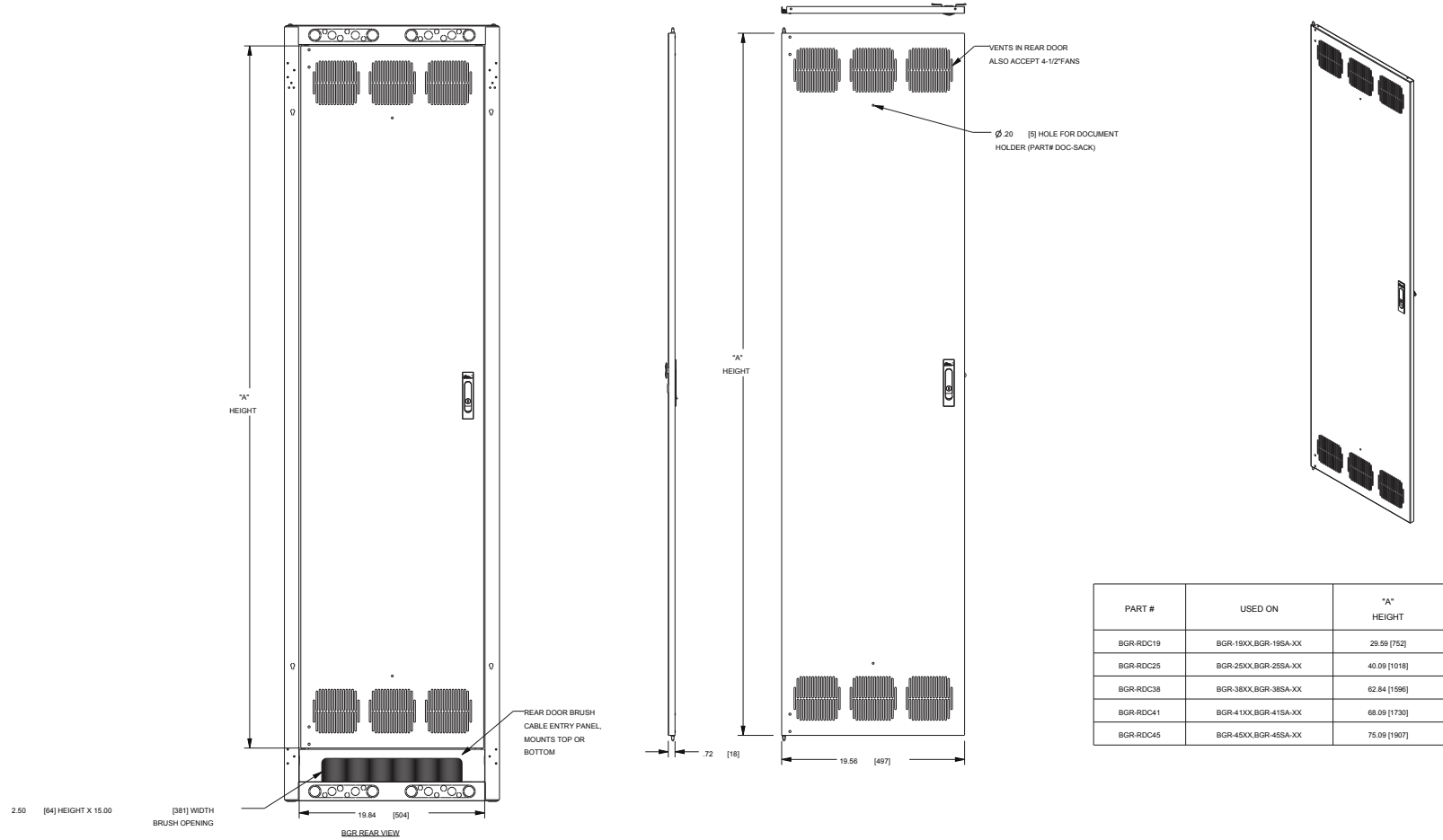


COMMERCIAL BRANDS

C2G | Chief | Da-Lite | Luxul | Middle Atlantic | Vaddio | Wiremold

BGR Series

cable entry rear door basic dimensions



NOTES:
ALL DIMENSIONS SHOWN: INCHS (MILLIMETERS)



WHAT GREAT SYSTEMS ARE BUILT ON™ | LEGRANDAV.COM

USA P 800.266.7225 E av.middleatlantic.support@legrand.com
CANADA P 888.766.9770 E av.middleatlantic.support@legrand.com

©2019 Middle Atlantic Products, Inc. All rights reserved. All other brand names or marks are used for identification purposes and are trademarks of their respective owners. All patents are protected under existing designations. Other patents pending.



COMMERCIAL BRANDS

C2G | Chief | Da-Lite | Luxul | Middle Atlantic | Vaddio | Wiremold