

# C5 Series

## AV credenza rack

unique design with integrated thermal management simplifies system design and minimize delays

### features:

- Frame to Furniture™ design complements an integrator's installation workflow
- Fully assembled frames ship separately from furniture-grade panels
- Integrated, thermostatically controlled cooling quietly protects active electronics
- Available in 1, 2 and 3 bay models and three depths
- Unique design allows panels to be replaced quickly and easily
- Available in Moderno, Sota and Klasik Styles
- Standard finishes available: Veneer, High Pressure Laminate and Thermolaminate materials



### specifications:

EIA Compliant 19" A/V Credenza Rack shall be Middle Atlantic Products model # C5FF-\_\_ (refer to chart). Credenza Rack shall be available in 1, 2 or 3 bay configurations. Overall dimensions shall be 31-1/4" H x \_\_W" x \_\_\_" D (refer to chart). Usable height shall be 14 rackspaces per bay. Rack frames shall ship fully assembled and be constructed of steel. Total weight capacity with Middle Atlantic finishing kit shall be \_\_\_ lbs. Total weight capacity of the frame only (must take into account the weight of the customer supplied finishing kit) shall be \_\_\_ lbs. Each rack bay shall come equipped with 2 pairs of 11-gauge steel rackrail tapped with 10-32 mounting holes in universal EIA spacing, black e-coat finish and numbered rackspaces. Credenza rack shall have one 50 CFM thermostatically controlled proportional speed blower per bay. Exhaust air shall exit the front of the credenza for unrestricted air flow. Thermostatically controlled fans shall be powered on at 87°F and turn off at 85°F. Credenza rack shall require vent panel, model # C5-VENT-\_\_ (refer to chart) and have venting on the top and bottom of the face of the rack. Credenza rack shall include two adjustable side mounted horizontal lacing bars for enhanced cable management. Credenza rack shall have a steel rear access panel. Credenza rack shall be finished in a durable black powder coat. Top, sides, and front doors shall ship separately from rack frame and be model # C5\_K\_\_-\_\_DX. Top shall be constructed of 1-1/8" OR 1" thick triple refined MDF or Particle Board, sides shall be constructed of 3/4" OR 1" thick triple refined MDF or particle board, front doors shall be constructed of 3/4" thick triple refined MDF. Top, sides and front doors shall be available in a Moderno, Sota or Klasik styles (refer to chart). Front doors shall be solid or plexi (refer to chart). Top, sides and front doors shall be available in Veneer, High Pressure Laminate and Thermolaminate materials, visit middleatlantic.com for list of available finishes. Credenza rack shall include 4 fine floor casters. Credenza rack shall be GREENGUARD Gold Certified with the exception of Veneer finishes, which shall be GREENGUARD Certified. Credenza rack shall comply with the requirements of RoHS EU Directive 2002/95/EC. Credenza rack shall be manufactured by an ISO 9001 and ISO 14001 registered company. Credenza Rack frame shall be warrantied to be free from defects in material or workmanship under normal use and conditions for the lifetime of the rack, fans shall be warrantied for a period of three years and wood panels shall be warrantied for a period of 7 years.

Customizable specification clips available at [middleatlantic.com](http://middleatlantic.com)

EIA/TIA COMPLIANT



PRODUCT CERTIFIED FOR  
LOW CHEMICAL EMISSIONS  
UL.COM/GG  
UL 2818

### options:

- Shelf System insert shall be model # C5-SH-SYS\_\_ (refer to chart)
- Flip up side shelf shall be model # C5-\_\_FS-\_\_ (refer to chart)
- Slide out rotating rack bay shall have 12 rackspaces and be model C5D-SRSR12
- Adjustable Rail Bracket shall be model # C5-ARB\_\_
- 1 bay rear door extender kit shall be model # C5-EXT-3
- Cable grommet shall be model # C5-CG-\_\_
- Monitor mounts shall be part # C5MM-\_\_-\_\_
- Millwork kit shall be C5-MK\_\_(frame depth - 27, 31)-\_\_ (number of bays - 1,2,3)

what **great systems** are built on.™

A brand of **legrand**

  
**Middle Atlantic Products**

[middleatlantic.com](http://middleatlantic.com) | [middleatlantic.com](http://middleatlantic.com)

96-01195 / rev 0 / 8-28-18

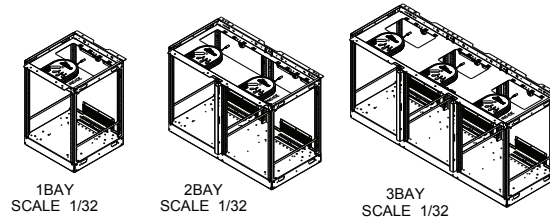
# C5 Series

## basic dimensions

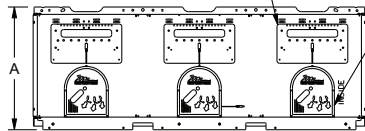
**NOTES:**

- 1) ALL DIMENSIONS SHOWN IN FORMAT:  
INCHES [MILLIMETERS]
- 2) AMPERAGE IS BASED ON ACTUAL AMPERAGE RATINGS,  
NOT ON NAMEPLATE RATINGS, WHICH HAVE BEEN PROVEN  
TO VARY SIGNIFICANTLY
- 3) IDEAL MAX. TEMP. CHANGE 15° F BASED ON AN AMBIENT  
ROOM TEMP. OF 70° F
- 4) THIS DATA IS MADE ASSUMING THAT THE CRENDENZA IS  
PLACED AGAINST A WALL IN A ROOM
- 5) 1 POWER SUPPLY PER FRAME WITH 68 [1727] LONG CORD
- 6) FRONT AND REAR STABILIZING FEET INCLUDED ONLY ON  
22" DEEP MODELS (SEE DETAIL A)
- 7) RATED WEIGHT CAPACITY IS WITH MAP WOODKIT  
22" DEEP MODELS RATED FOR MAX. 250LBS ON TOP, 250LBS INSIDE  
27" AND 31" MODELS RATED FOR MAX. 350LBS ON TOP, 250LBS INSIDE
- 8) TOTAL WEIGHT CAPACITY INCLUDES USER-PROVIDED WOODKIT

THERMAL LOAD	COOLING CAPABILITIES		
	TEMP CHANGE (° F) C5-FF22-1	TEMP CHANGE (° F) C5-FF22-2	TEMP CHANGE (° F) C5-FF22-3
	C5-FF27-1 / IC5-FF27-1 C5-FF31-1 / IC5-FF31-1	C5-FF27-2 / IC5-FF27-2 C5-FF31-2 / IC5-FF31-2	C5-FF27-3 / IC5-FF27-3 C5-FF31-3 / IC5-FF31-3
0.8A-100W	3.3	1.8	1.3
1.7A-200W	7.4	4.6	3.7
2.5A-300W	9.9	6.5	4.7
3.3A-400W	14.5	7.2	5.3
4.2A-500W	17.8	10.0	7.8
5.0A-600W	21.2	11.3	9.0
5.8A-700W	25.8	14.5	10.1
6.7A-800W	26.6	15.0	12.2
7.5A-900W	31.5	17.7	13.3
8.A-1000W	33.3	19.5	15.6



CUT OUT FOR TABLETOP BOX  
SEE TABLE FOR CUT OUT SIZE

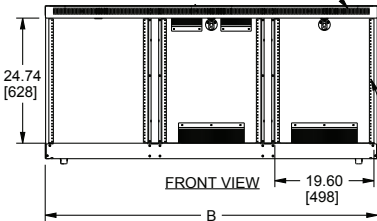


50 CFM BLOWER PER BAY  
(1 RELOCATABLE TEMPERATURE  
SENSOR PER FRAME)

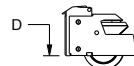
FRAME PART NUMBER	"A" DEPTH	"B" WIDTH	"C" USEABLE DEPTH	"D" CLEARANCE	CUT OUT SIZE	CUT OUT QTY	DBA	FAN FREE AIR RATED CFM	ACTUAL INSTALLED CFM	RATED WEIGHT CAPACITY	TOTAL WEIGHT CAPACITY
C5-FF22-1	19.67 [500]	21.05 [535]	15.48 [393]	.15 [4]	3.13 [80] X 17.05 [433]	1	33	50	46	500LBS/227KG	550LBS/250KG
C5-FF22-2	19.67 [500]	43.39 [1102]	15.48 [393]	.15 [4]	3.13 [80] X 39.39 [1001]	1	34	100	91	500LBS/227KG	550LBS/250KG
C5-FF22-3	19.67 [500]	65.75 [1670]	15.48 [393]	.15 [4]	3.13 [80] X 14.00 [356]	3	36	150	138	500LBS/227KG	550LBS/250KG
C5-FF27-1	24.27 [616]	21.05 [535]	20.08 [510]	1.00 [25]	7.75 [197] X 17.05 [433]	1	33	50	46	600LBS/273KG	800LBS/363KG
C5-FF27-2	24.27 [616]	43.39 [1102]	20.08 [510]	1.00 [25]	7.75 [197] X 39.39 [1001]	1	34	100	91	600LBS/273KG	800LBS/363KG
C5-FF27-3	24.27 [616]	65.75 [1670]	20.08 [510]	1.00 [25]	7.75 [197] X 14.00 [356]	3	36	150	138	600LBS/273KG	800LBS/363KG
C5-FF31-1	28.13 [714]	21.05 [535]	23.94 [608]	1.00 [25]	10.00 [254] X 17.05 [433]	1	33	50	46	600LBS/273KG	800LBS/363KG
C5-FF31-2	28.13 [714]	43.39 [1102]	23.94 [608]	1.00 [25]	10.00 [254] X 39.39 [1001]	1	34	100	91	600LBS/273KG	800LBS/363KG
C5-FF31-3	28.13 [714]	65.75 [1670]	23.94 [608]	1.00 [25]	10.00 [254] X 14.00 [356]	3	36	150	138	600LBS/273KG	800LBS/363KG

\*SEE NOTES 7 AND 8

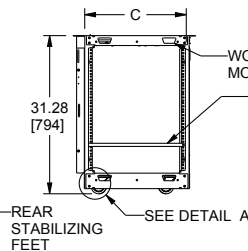
AIR VENT PANEL, REQUIRED FOR  
INSTALLATION SEE NEXT PAGE FOR  
MODEL NUMBERS



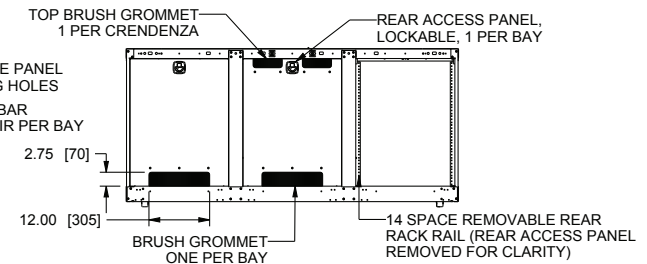
14 SPACE REMOVABLE  
FRONT RACK RAIL



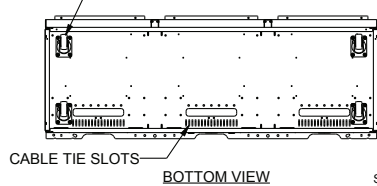
SIDE VIEW



REAR VIEW



4 INCH CASTER (4) NOT LOCKABLE



FRONT  
STABILIZING  
FEET

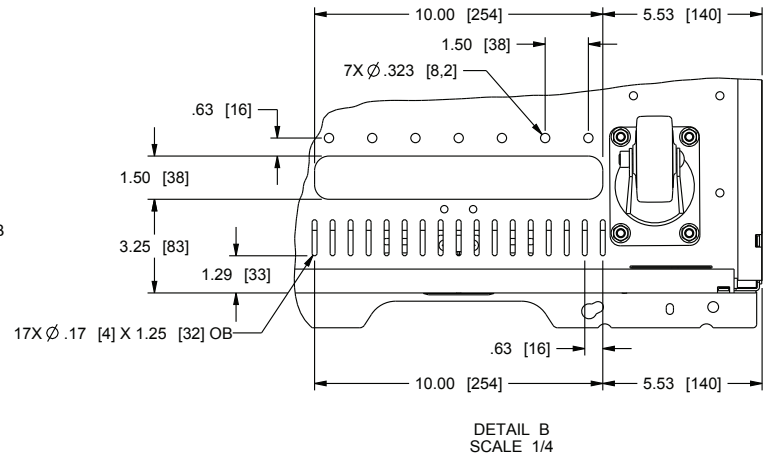
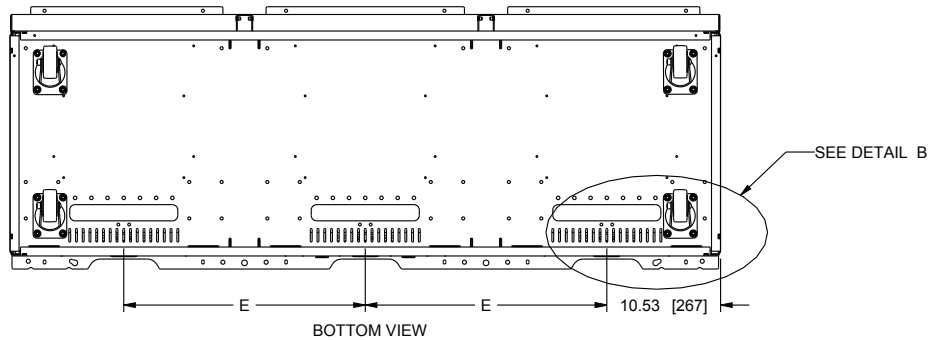
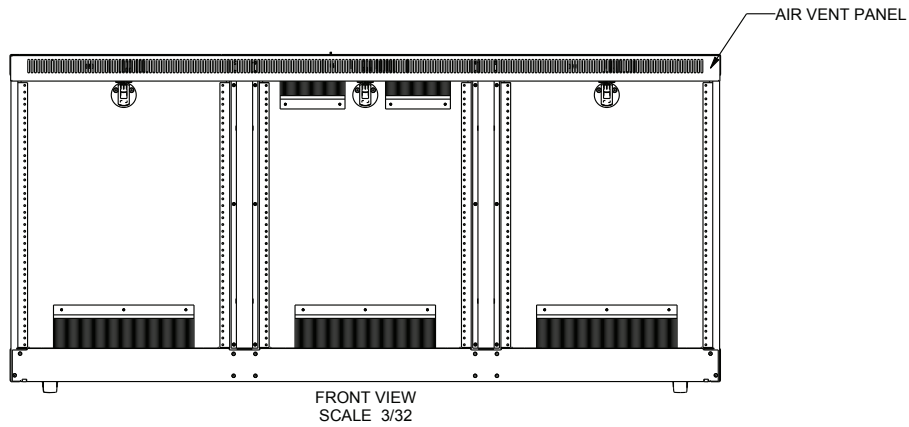
C5-FF22-X  
SCALE 1/8

# C5 Series

## basic dimensions

**NOTES:**

- 1) ALL DIMENSIONS SHOWN IN FORMAT:  
INCHES [MILLIMETERS]
- 2) AIR VENT PANEL IS REMOVABLE AND OFFERED IN DIFFERENT COLORS, REQUIRED FOR INSTALLATION

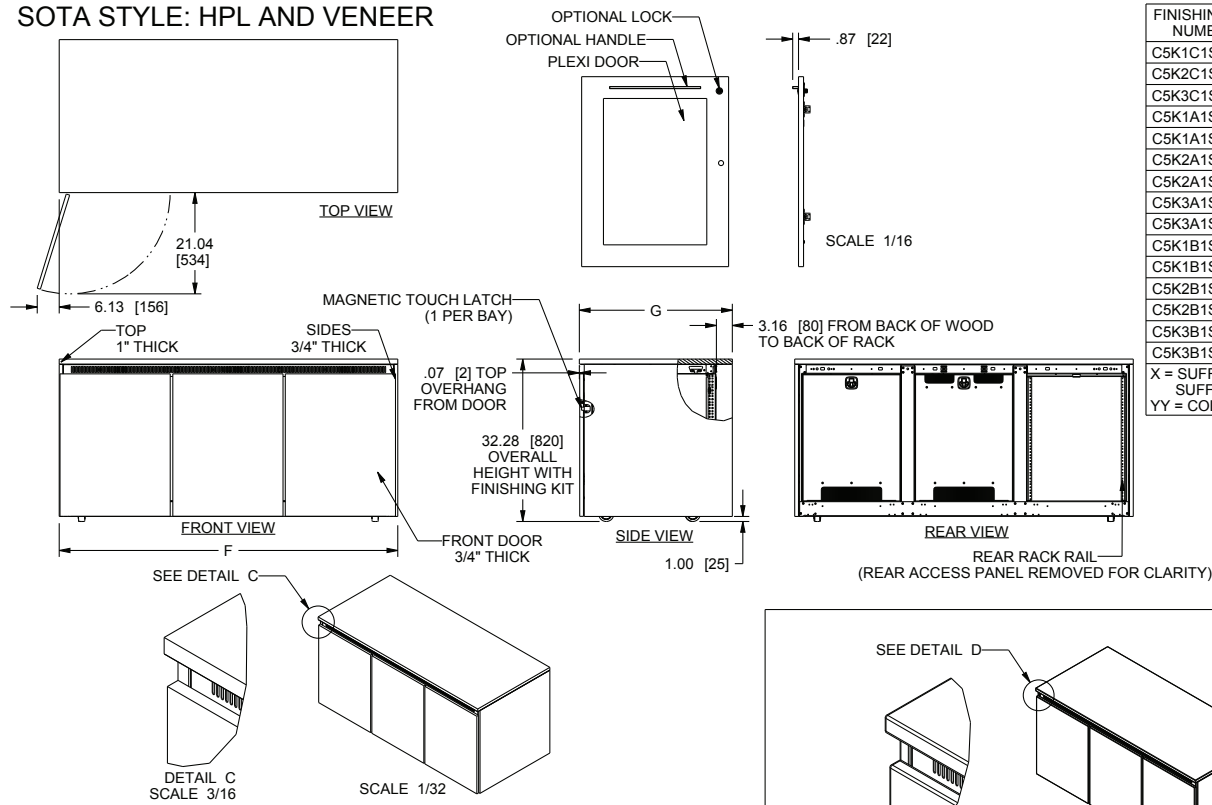


COLOR CODE		FRAME PART NUMBER	"E" CENTER DISTANCE	AIR VENT PART NUMBER
WH	WHITE			
OW	OFF WHITE	C5-FF22-1	NA	C5-VENT1-WH C5-VENT1-OW C5-VENT1-SM C5-VENT1-BK
SM	SILVER METALLIC	C5-FF27-1		
BK	FLAT BLACK	C5-FF31-1		
		C5-FF22-2	22.35 [568]	C5-VENT2-WH C5-VENT2-OW C5-VENT2-SM C5-VENT2-BK
		C5-FF27-2		
		C5-FF31-2		
		C5-FF22-3	22.35 [568]	C5-VENT3-WH C5-VENT3-OW C5-VENT3-SM C5-VENT3-BK
		C5-FF27-3		
		C5-FF31-3		

# C5 Series Sota Style:

## basic dimensions

### SOTA STYLE: HPL AND VENEER

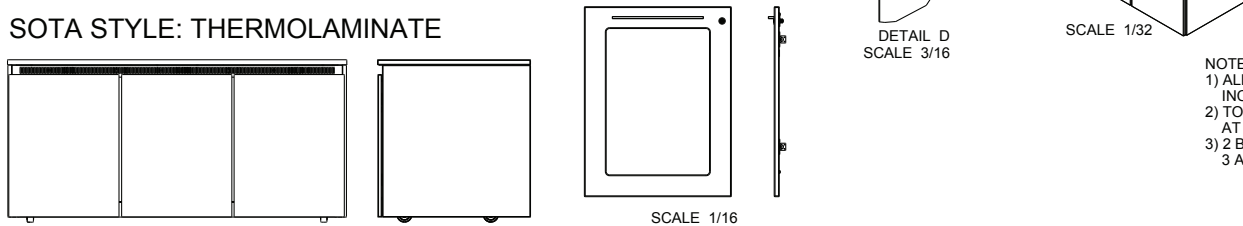


FINISHING KIT NUMBER	DOOR TYPE	"F" WIDTH	"G" DEPTH	COMPATIBLE WITH
C5K1C1SSXYY	SOLID	22.8 [580]	21.9 [557]	C5-FF22-1
C5K2C1SSXYY	SOLID	45.1 [1146]	21.9 [557]	C5-FF22-2
C5K3C1SSXYY	SOLID	67.5 [1715]	21.9 [557]	C5-FF22-3
C5K1A1SPXYY	PLEXI	22.8 [580]	26.6 [676]	C5-FF27-1
C5K1A1SSXYY	SOLID			
C5K2A1SPXYY	PLEXI	45.1 [1146]	26.6 [676]	C5-FF27-2
C5K2A1SSXYY	SOLID			
C5K3A1SPXYY	PLEXI	67.5 [1715]	26.6 [676]	C5-FF27-3
C5K3A1SSXYY	SOLID			
C5K1B1SPXYY	PLEXI	22.8 [580]	30.4 [773]	C5-FF31-1
C5K1B1SSXYY	SOLID			
C5K2B1SPXYY	PLEXI	45.1 [1146]	30.4 [773]	C5-FF31-2
C5K2B1SSXYY	SOLID			
C5K3B1SPXYY	PLEXI	67.5 [1715]	30.4 [773]	C5-FF31-3
C5K3B1SSXYY	SOLID			

X = SUFFIX WITH V FOR VENEER FINISH, SUFFIX WITH H FOR HPL FINISH  
 SUFFIX WITH T FOR THERMOLAMINATE FINISH  
 YY = COLOR SELECTION; REFER TO MIDDLEATLANTIC.COM FOR OPTIONS.

ACCESSORY PART NUMBER	ACCESSORY TYPE	COLOR CODE
ACC-LOCK1-BK	LOCK	BLACK
ACC-LOCK1-MA	LOCK	MODERN ALUMINUM (MATTE FINISH)
ACC-LOCK1-WH	LOCK	WHITE
ACC-HANDLE1-MA	HANDLE	MODERN ALUMINUM (MATTE FINISH)

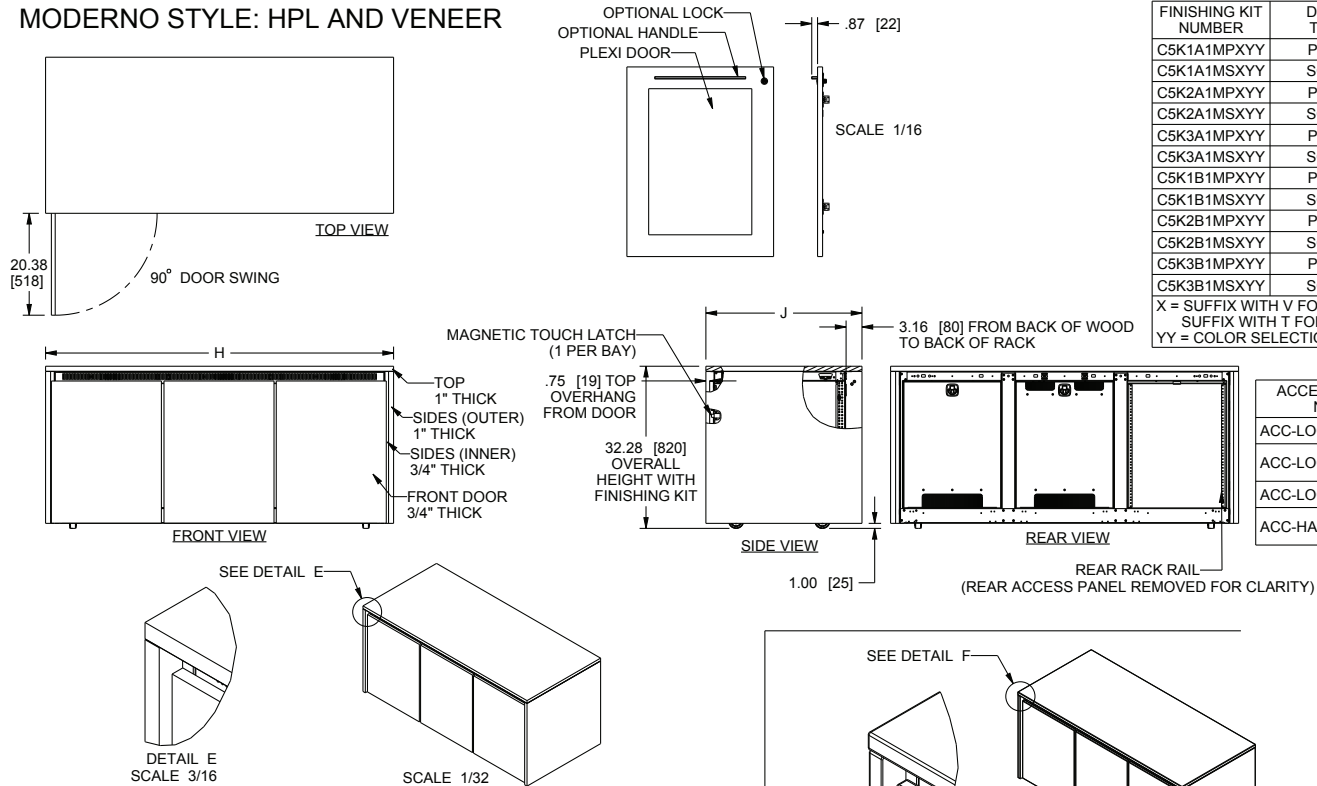
### SOTA STYLE: THERMOLAMINATE



- NOTE(S):
- 1) ALL DIMENSIONS SHOWN IN FORMAT: INCHES [MILLIMETERS]
  - 2) TO ORDER, FULL PART NUMBER MUST BE GENERATED AT MIDDLEATLANTIC.COM.
  - 3) 2 BAY CREDENZAS HAVE A LEFT AND RIGHT DOOR BY DEFAULT, 3 AND 1 BAY CREDENZAS HAVE LEFT DOORS BY DEFAULT

# C5 Series Moderno Style: basic dimensions

## MODERNO STYLE: HPL AND VENEER

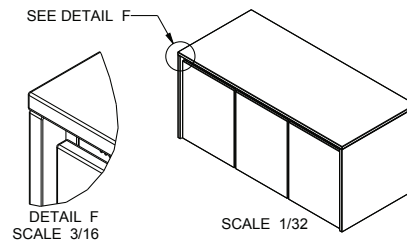
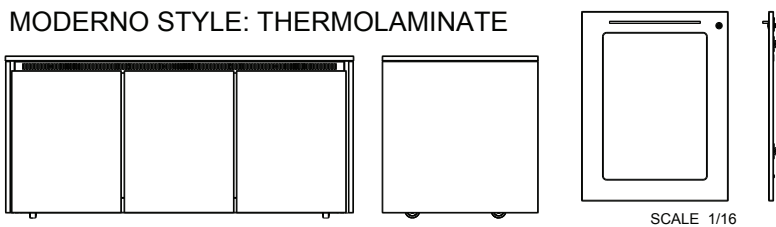


FINISHING KIT NUMBER	DOOR TYPE	"H" WIDTH	"J" DEPTH	COMPATIBLE WITH
C5K1A1MPXY	PLEXI	24.9 [632]	27.3 [694]	C5-FF27-1
C5K1A1MSXY	SOLID			
C5K2A1MPXY	PLEXI	47.2 [1199]	27.3 [694]	C5-FF27-2
C5K2A1MSXY	SOLID			
C5K3A1MPXY	PLEXI	69.6 [1768]	27.3 [694]	C5-FF27-3
C5K3A1MSXY	SOLID			
C5K1B1MPXY	PLEXI	24.9 [632]	31.1 [790]	C5-FF31-1
C5K1B1MSXY	SOLID			
C5K2B1MPXY	PLEXI	47.2 [1199]	31.1 [790]	C5-FF31-2
C5K2B1MSXY	SOLID			
C5K3B1MPXY	PLEXI	69.6 [1768]	31.1 [790]	C5-FF31-3
C5K3B1MSXY	SOLID			

X = SUFFIX WITH V FOR VENEER FINISH, SUFFIX WITH H FOR HPL FINISH  
 SUFFIX WITH T FOR THERMOLAMINATE FINISH  
 YY = COLOR SELECTION; REFER TO MIDDLEATLANTIC.COM FOR OPTIONS.

ACCESSORY PART NUMBER	ACCESSORY TYPE	COLOR CODE
ACC-LOCK1-BK	LOCK	BLACK
ACC-LOCK1-MA	LOCK	MODERN ALUMINUM (MATTE FINISH)
ACC-LOCK1-WH	LOCK	WHITE
ACC-HANDLE1-MA	HANDLE	MODERN ALUMINUM (MATTE FINISH)

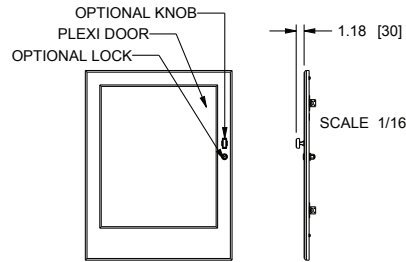
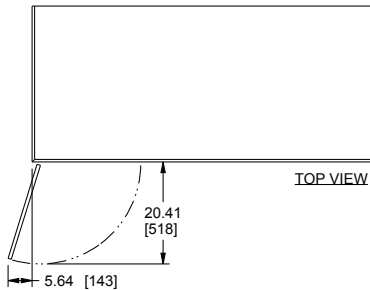
## MODERNO STYLE: THERMOLAMINATE



- NOTE(S):
- 1) ALL DIMENSIONS SHOWN IN FORMAT: INCHES [MILLIMETERS]
  - 2) TO ORDER, FULL PART NUMBER MUST BE GENERATED AT MIDDLEATLANTIC.COM.
  - 3) 2 BAY CREDENZAS HAVE A LEFT AND RIGHT DOOR BY DEFAULT, 3 AND 1 BAY CREDENZAS HAVE LEFT DOORS BY DEFAULT

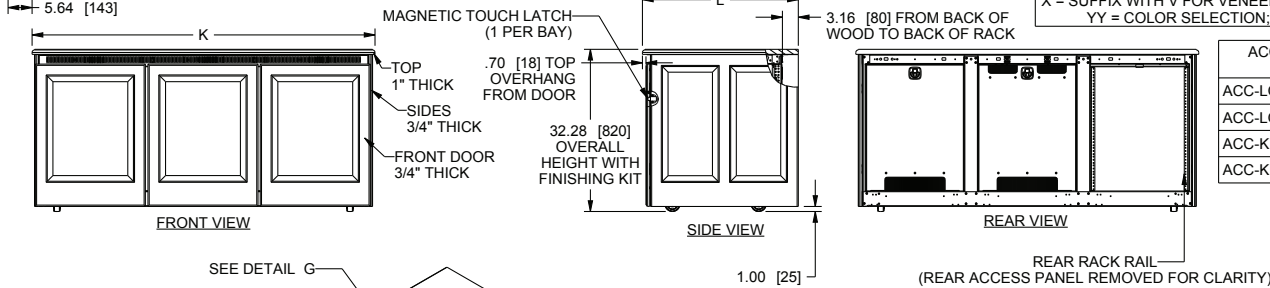
# C5 Series Klasik Style: basic dimensions

## KLASIK STYLE: VENEER

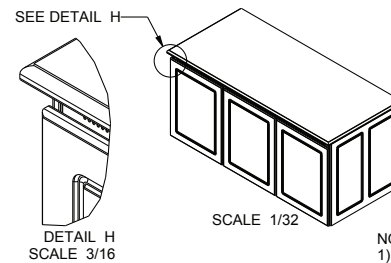
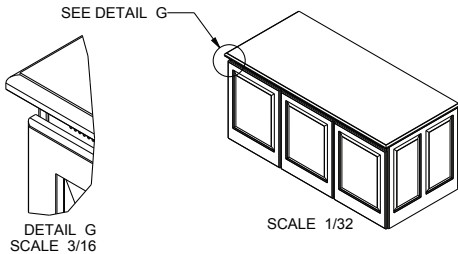


FINISHING KIT NUMBER	DOOR TYPE	"K" WIDTH	"L" DEPTH	COMPATIBLE WITH
C5K1A1KPXY	PLEXI	23.6 [600]	27.2 [691]	C5-FF27-1
C5K1A1KSXY	SOLID			
C5K2A1KPXY	PLEXI	46.0 [1169]	27.2 [691]	C5-FF27-2
C5K2A1KSXY	SOLID			
C5K3A1KPXY	PLEXI	68.3 [1735]	27.2 [691]	C5-FF27-3
C5K3A1KSXY	SOLID			
C5K1B1KPXY	PLEXI	23.6 [600]	31.1 [790]	C5-FF31-1
C5K1B1KSXY	SOLID			
C5K2B1KPXY	PLEXI	46.0 [1169]	31.1 [790]	C5-FF31-2
C5K2B1KSXY	SOLID			
C5K3B1KPXY	PLEXI	68.3 [1735]	31.1 [790]	C5-FF31-3
C5K3B1KSXY	SOLID			

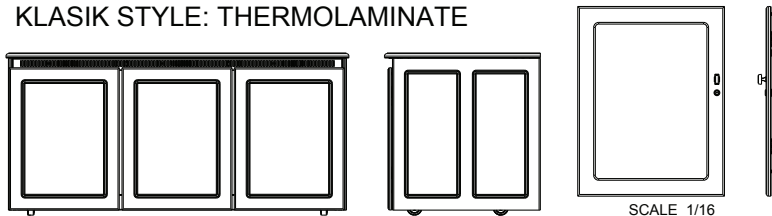
X = SUFFIX WITH V FOR VENEER FINISH, SUFFIX WITH T FOR THERMOLAMINATE FINISH  
YY = COLOR SELECTION; REFER TO MIDDLEATLANTIC.COM FOR OPTIONS.



ACCESSORY PART NUMBER	ACCESSORY TYPE	COLOR CODE
ACC-LOCK1-SN	LOCK	SATIN NICKEL
ACC-LOCK1-CB	LOCK	CLASSIC BRONZE
ACC-KNOB1-CN	KNOB	CLASSIC NICKEL
ACC-KNOB1-CB	KNOB	CLASSIC BRONZE



## KLASIK STYLE: THERMOLAMINATE



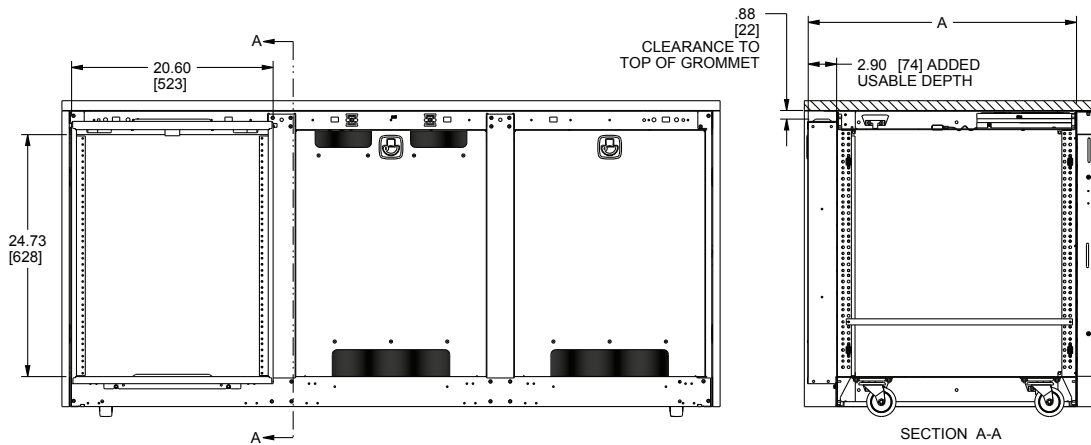
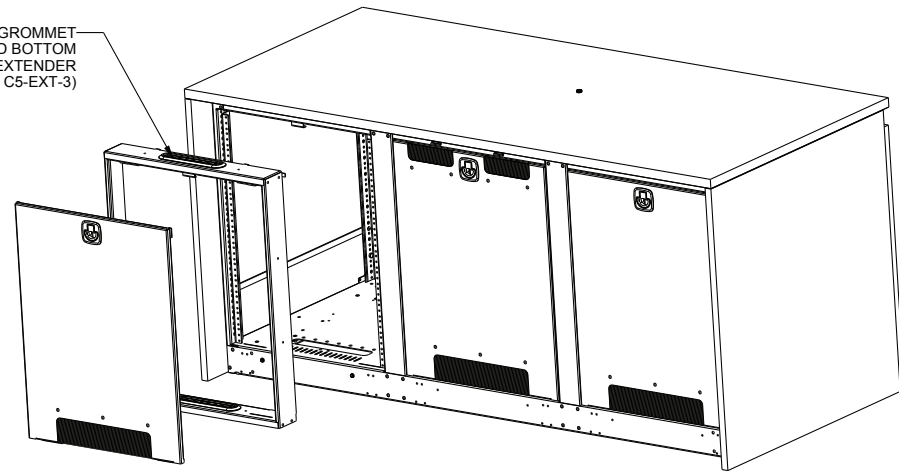
- NOTE(S):
- 1) ALL DIMENSIONS SHOWN IN FORMAT: INCHES [MILLIMETERS]
  - 2) TO ORDER, FULL PART NUMBER MUST BE GENERATED AT MIDDLEATLANTIC.COM.
  - 3) 2 BAY CRENZAS HAVE A LEFT AND RIGHT DOOR BY DEFAULT, 3 AND 1 BAY CRENZAS HAVE LEFT DOORS BY DEFAULT

# C5 Series

basic dimensions

FRAME PART NUMBER	"A" COMBINED DEPTH
C5-FF22-1, C5-FF22-2, C5-FF22-3	18.94 [481]
C5-FF27-1, C5-FF27-2, C5-FF27-3	23.54 [598]
C5-FF31-1, C5-FF31-2, C5-FF31-3	27.42 [697]

1" x 7" CABLE GROMMET  
ON TOP AND BOTTOM  
OF C5 EXTENDER  
(P/N: C5-EXT-3)



NOTE(S):  
1) ALL DIMENSIONS SHOWN IN FORMAT:  
INCHES [MILLIMETERS]

what great systems are built on.™

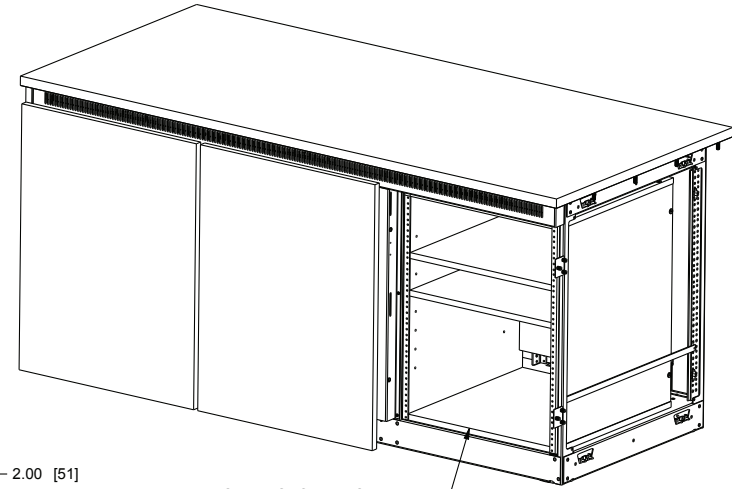
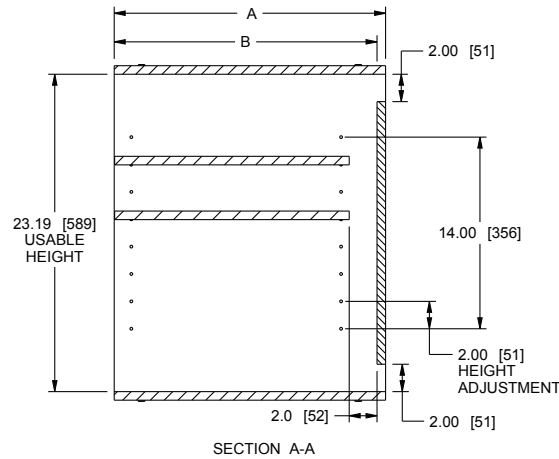
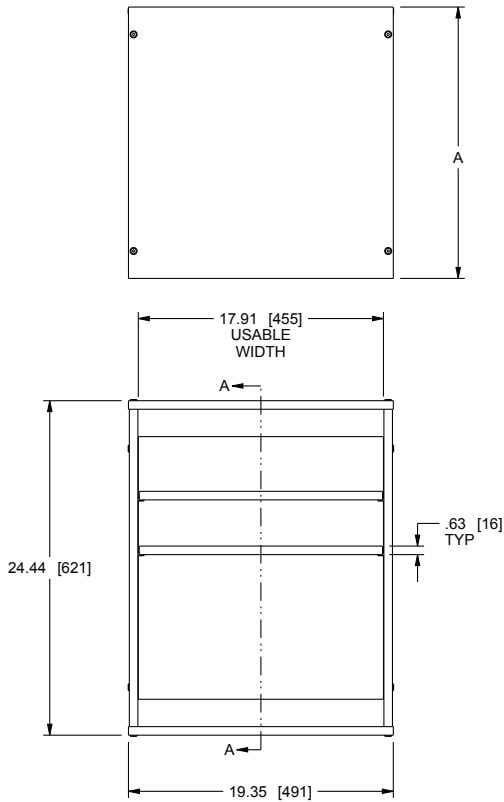
A brand of **legrand**

**MA**  
Middle Atlantic Products  
middleatlantic.com | middleatlantic.ca

# C5 Series

basic dimensions

PART NUMBER	"A" DEPTH	"B" USABLE DEPTH	COMPATIBLE FRAMES
C5-SH-SYS22	11.36 [289]	10.74 [273]	C5-FF22-1, C5-FF22-2, C5-FF22-3
C5-SH-SYS27	15.97 [406]	15.34 [390]	C5-FF27-1, C5-FF27-2, C5-FF27-3
C5-SH-SYS31	19.83 [504]	19.20 [488]	C5-FF31-1, C5-FF31-2, C5-FF31-3



SHELF SHOWN INSTALLED IN C5 CREDENZA WITH DOOR AND SIDE PANEL REMOVED FOR CLARITY

NOTE(S):  
1) ALL DIMENSIONS SHOWN IN FORMAT: INCHES [MILLIMETERS]

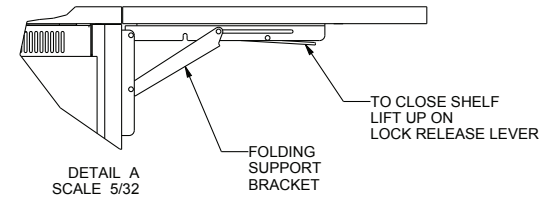
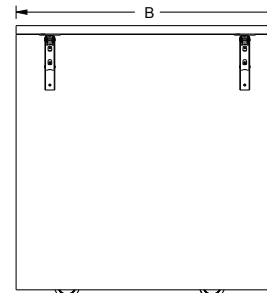
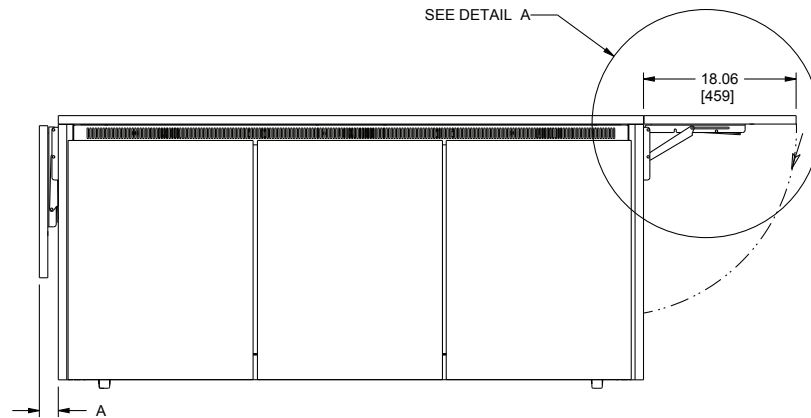
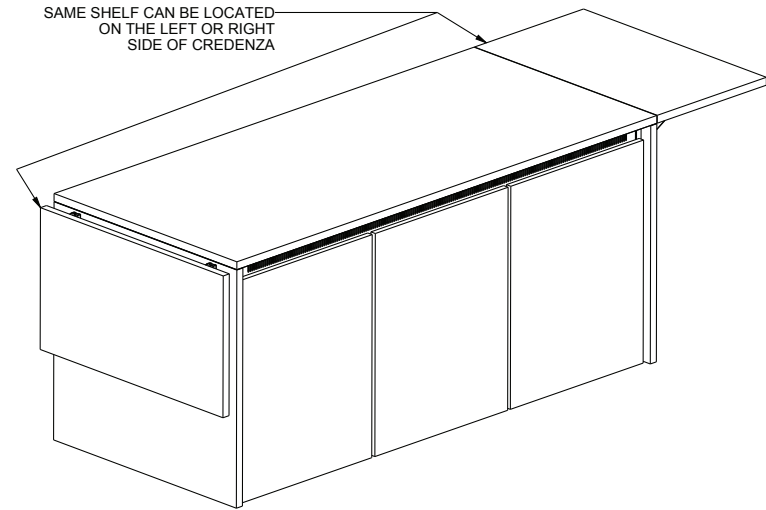


# C5 Series

## basic dimensions

PART NUMBER	COMPATIBLE FRAMES	COMPATIBLE STYLES	COMPATIBLE FINISH TYPE	"A" OVERHANG	"B" DEPTH
C5-MFS27-VXX	C5-FF27-1, C5-FF27-2, C5-FF27-3	MODERNO	veneer	2.25 [57]	27.3 [694]
C5-MFS31-VXX	C5-FF31-1, C5-FF31-2, C5-FF31-3	MODERNO	veneer	2.25 [57]	31.1 [790]
C5-MFS27-HXX	C5-FF27-1, C5-FF27-2, C5-FF27-3	MODERNO	HPL	2.25 [57]	27.3 [694]
C5-MFS31-HXX	C5-FF31-1, C5-FF31-2, C5-FF31-3	MODERNO	HPL	2.25 [57]	31.1 [790]
C5-MFS27-TXX	C5-FF27-1, C5-FF27-2, C5-FF27-3	MODERNO	THERMOLAMINATE	2.25 [57]	27.3 [694]
C5-MFS31-TXX	C5-FF31-1, C5-FF31-2, C5-FF31-3	MODERNO	THERMOLAMINATE	2.25 [57]	31.1 [790]
C5-SFS27-VXX	C5-FF27-1, C5-FF27-2, C5-FF27-3	SOTA	veneer	2.25 [57]	26.6 [676]
C5-SFS31-VXX	C5-FF31-1, C5-FF31-2, C5-FF31-3	SOTA	veneer	2.25 [57]	30.4 [773]
C5-SFS22-HXX	C5-FF22-1, C5-FF22-2, C5-FF22-3	SOTA	HPL	2.25 [57]	21.9 [557]
C5-SFS27-HXX	C5-FF27-1, C5-FF27-2, C5-FF27-3	SOTA	HPL	2.25 [57]	26.6 [676]
C5-SFS31-HXX	C5-FF31-1, C5-FF31-2, C5-FF31-3	SOTA	HPL	2.25 [57]	30.4 [773]
C5-SFS22-TXX	C5-FF22-1, C5-FF22-2, C5-FF22-3	SOTA	THERMOLAMINATE	2.25 [57]	21.9 [557]
C5-SFS27-TXX	C5-FF27-1, C5-FF27-2, C5-FF27-3	SOTA	THERMOLAMINATE	2.25 [57]	26.6 [676]
C5-SFS31-TXX	C5-FF31-1, C5-FF31-2, C5-FF31-3	SOTA	THERMOLAMINATE	2.25 [57]	30.4 [773]
C5-KFS27-VXX	C5-FF27-1, C5-FF27-2, C5-FF27-3	KLASIK	veneer	2.25 [57]	27.2 [691]
C5-KFS31-VXX	C5-FF31-1, C5-FF31-2, C5-FF31-3	KLASIK	veneer	2.25 [57]	31.1 [790]
C5-KFS27-TXX	C5-FF27-1, C5-FF27-2, C5-FF27-3	KLASIK	THERMOLAMINATE	2.25 [57]	27.2 [691]
C5-KFS31-TXX	C5-FF31-1, C5-FF31-2, C5-FF31-3	KLASIK	THERMOLAMINATE	2.25 [57]	31.1 [790]

XX=COLOR DESIGNATION; REFER TO MIDDLEATLANTIC.COM FOR OPTIONS



NOTE(S):  
1) ALL DIMENSIONS SHOWN IN FORMAT: INCHES [MILLIMETERS]

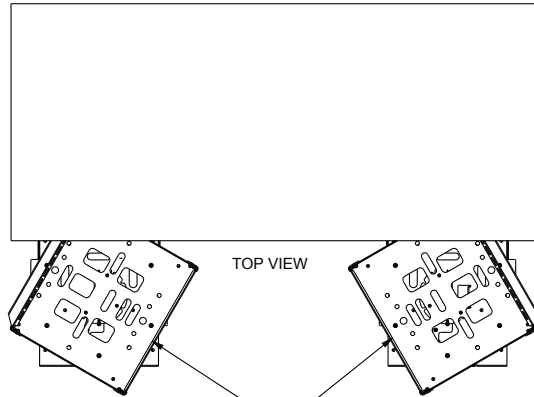
what great systems are built on.™

A brand of  Legrand

  
Middle Atlantic Products  
middleatlantic.com | middleatlantic.ca

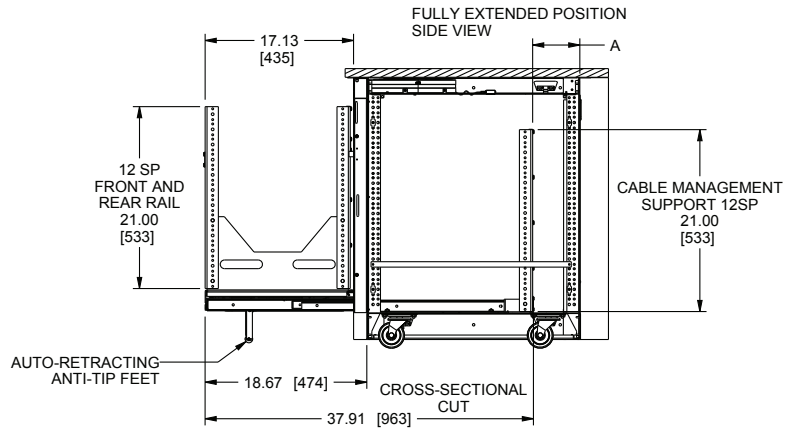
# C5 Series

## basic dimensions

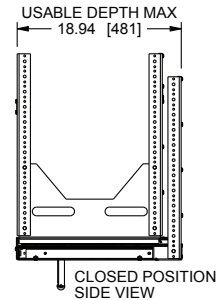
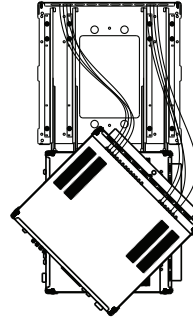


C5D-SRSR12 SHOWN ROTATED 60° IN BOTH DIRECTIONS.

IT IS RECOMMENDED THAT THE FRONT DOOR BE REMOVED TO PROVIDE REAR ACCESS WHEN EXTENDING AND ROTATING THE RACK BAY.

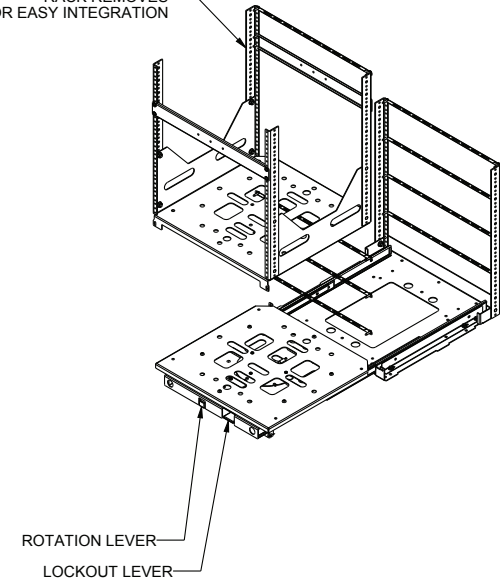


FOR EASY INSTALLATION AND SERVICING  
LOCKS IN PLACE 0° AND 60°  
TOP VIEW



FRAME PART NUMBER	"A" RACK RAIL AND REAR ACCESS PANEL DISTANCE
C5-FF27-3, C5-FF27-2, C5-FF27-1	1.55 [40]
C5-FF31-3, C5-FF31-2, C5-FF31-1	5.41 [138]

RACK REMOVES FOR EASY INTEGRATION

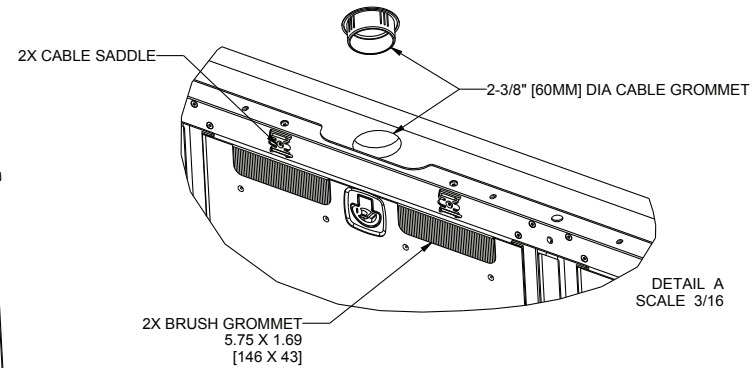
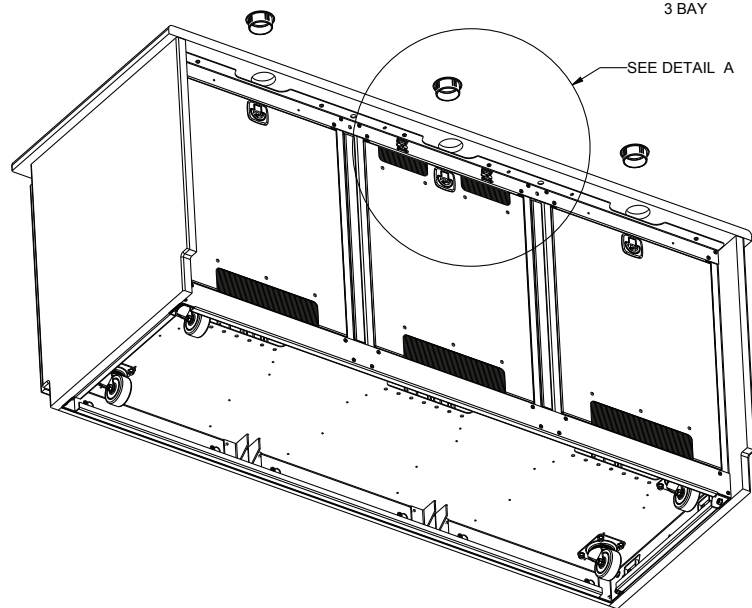
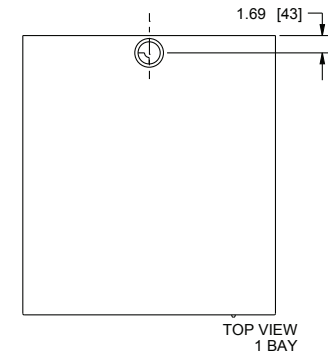
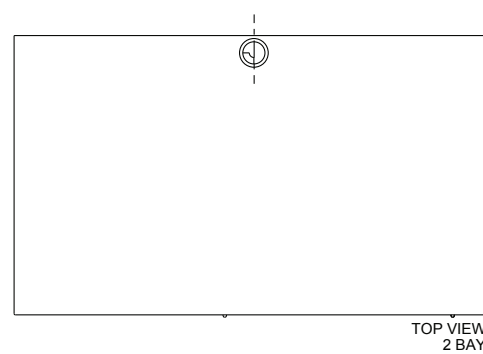
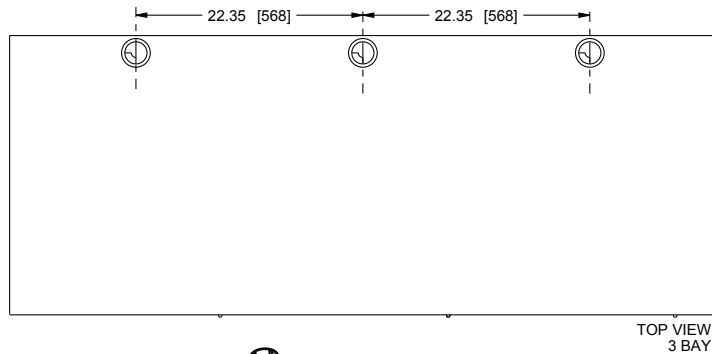


NOTE(S):  
1) ALL DIMENSIONS SHOWN IN FORMAT: INCHES [MILLIMETERS]  
2) C5D-SRSR12 ONLY AVAILABLE FOR 27" AND 31" DEEP MODELS

# C5 Series

basic dimensions

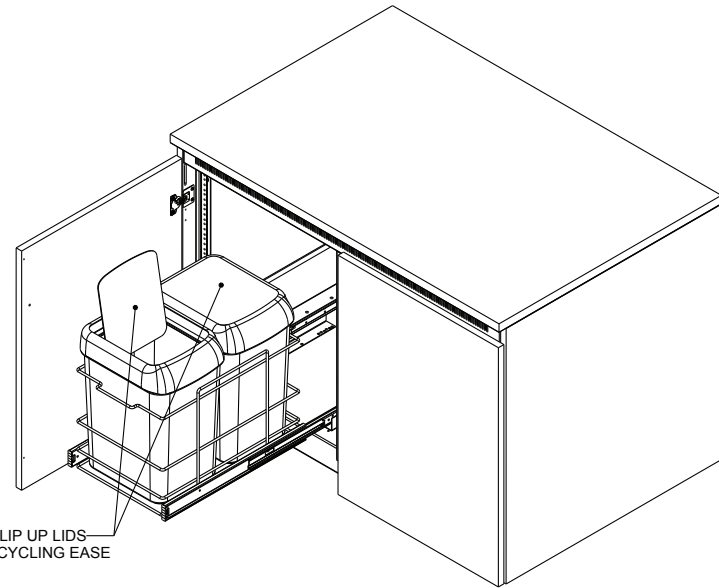
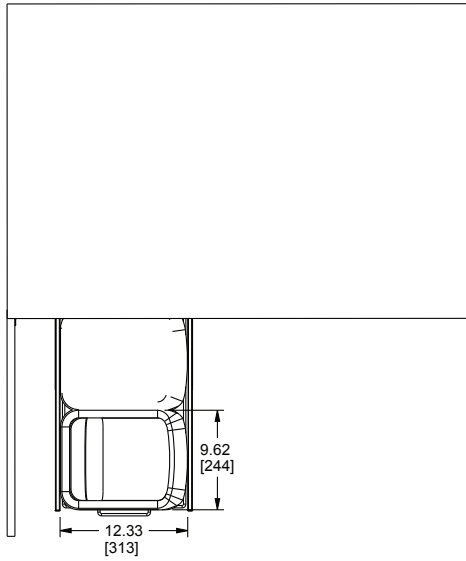
PART NUMBER	RESPECTIVE WOOD FINISH
C5-CG-H	HPL
C5-CG-T	THERMOLAMINATE
C5-CG-V	VENEER



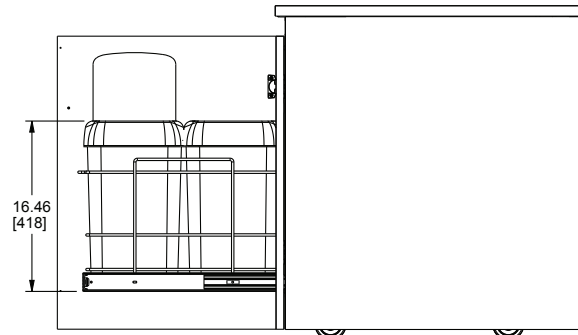
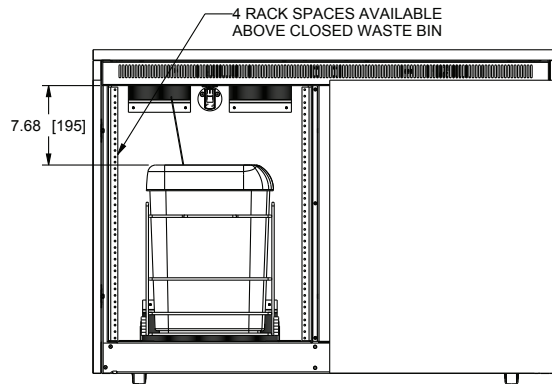
- NOTE(S):
- 1) ALL DIMENSIONS SHOWN IN FORMAT:  
INCHES [MILLIMETERS]
  - 2) C5 CABLE GROMMET ONLY AVAILABLE ON 27" AND 31" DEEP MODELS
  - 3) WHEN OPTIONAL MONITOR MOUNT IS USED, GROMMET  
LOCATIONS ARE ELIMINATED WHERE MONITOR IS PLACED

# C5 Series

basic dimensions



TWO CONTOURED WASTE BINS WITH FLIP UP LIDS—  
COLOR CODED BLUE AND TAN FOR RECYCLING EASE  
22 LITER CAPACITY EACH



NOTE(S):  
1) ALL DIMENSIONS SHOWN IN FORMAT:  
INCHES [MILLIMETERS]  
2) WASTE BIN ONLY AVAILABLE FOR 27" AND 31" DEEP MODELS

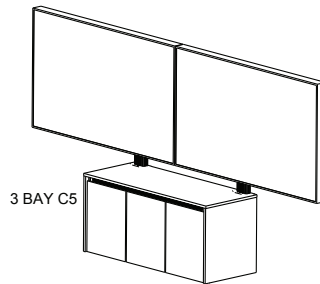
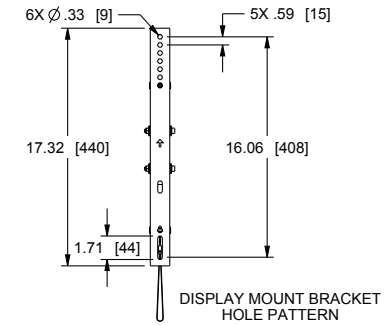
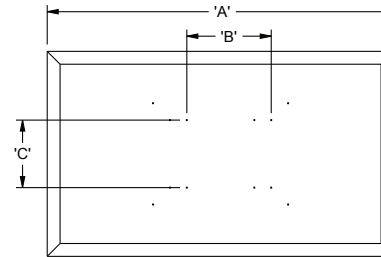
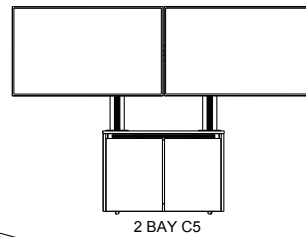
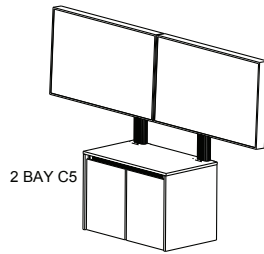
# C5 Series: Monitor Mount

## basic dimensions

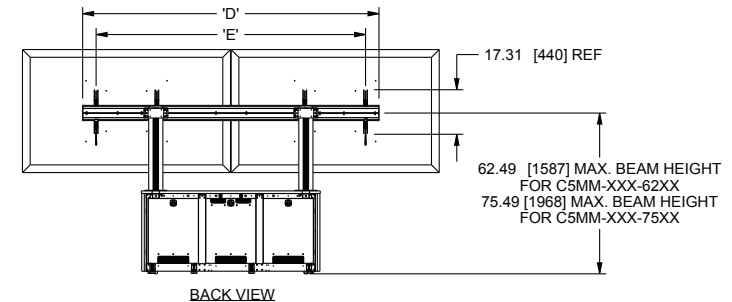
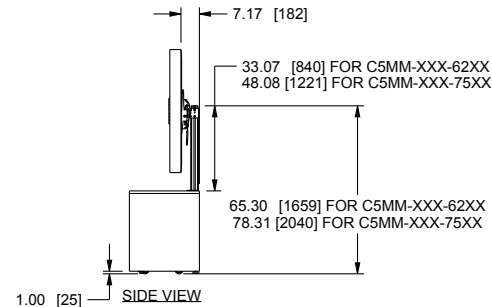
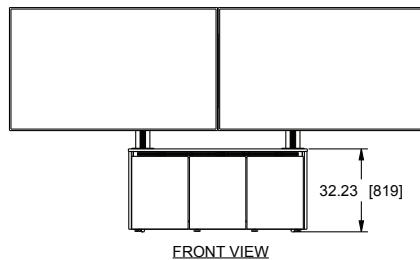
NOTE(S):  
 1) ALL DIMENSIONS SHOWN IN FORMAT:  
 INCHES [MILLIMETERS]  
 2) MONITOR MOUNTS ONLY AVAILABLE  
 FOR 27" and 31" DEEP MODELS

MODEL NO.	A DISPLAY WIDTH	B VESA PATTERN ACCOMODATION	C VESA PATTERN ACCOMODATION	COMPATIBLE WITH FRAME MODEL NO.
C5MM-90S-62XX C5MM-90S-75XX	90 [2286] AND UNDER	75 TO 800	200 TO 400	C5-FF27-2 C5-FF31-2 C5-FF27-3 C5-FF31-3
C5MM-63D-62XX C5MM-63D-75XX	63 [1600] AND UNDER	75 TO 600	200 TO 400	
C5MM-90D-62XX C5MM-90D-75XX	90 [2286] AND UNDER	75 TO 800	200 TO 400	C5-FF27-3 C5-FF31-3

XX= AL (ALUMINUM FINISH) OR  
 XX= BK (BLACK ANODIZED FINISH)



MODEL NO.	SINGLE OR DUAL DISPLAYS	DISPLAY SIZE	2 BAY MAX WEIGHT CAPACITY LB [KG]	3 BAY MAX WEIGHT CAPACITY LB [KG]	MIN WEIGHT IN C5 BASE	D HORIZONTAL BEAM LENGTH	E MAX DISTANCE OUTER VERTICALS
C5MM-90S-62XX	SINGLE	42 [1067] TO 90 [2286]	400 [181]	400 [181]	25 [11]	45.55 [1157]	31.50 [800]
C5MM-90S-75XX			250 [113]	350 [159]	25 [11]		
C5MM-63D-62XX	DUAL	50 [1270] TO 63 [1600]	400 [181]	400 [181]	25 [11]	94.20 [2393]	93.0 [2362]
C5MM-63D-75XX			250 [113]	350 [159]	25 [11]		
C5MM-90D-62XX	DUAL	64 [1625] TO 90 [2286]	N/A	400 [181]	25 [11]	115.20 [2926]	113.81 [2891]
C5MM-90D-75XX			N/A	350 [159]	25 [11]		



what great systems are built on.™

A brand of Legrand

**Middle Atlantic Products**  
 middleatlantic.com | middleatlantic.ca

# C5 Series: Monitor Mount

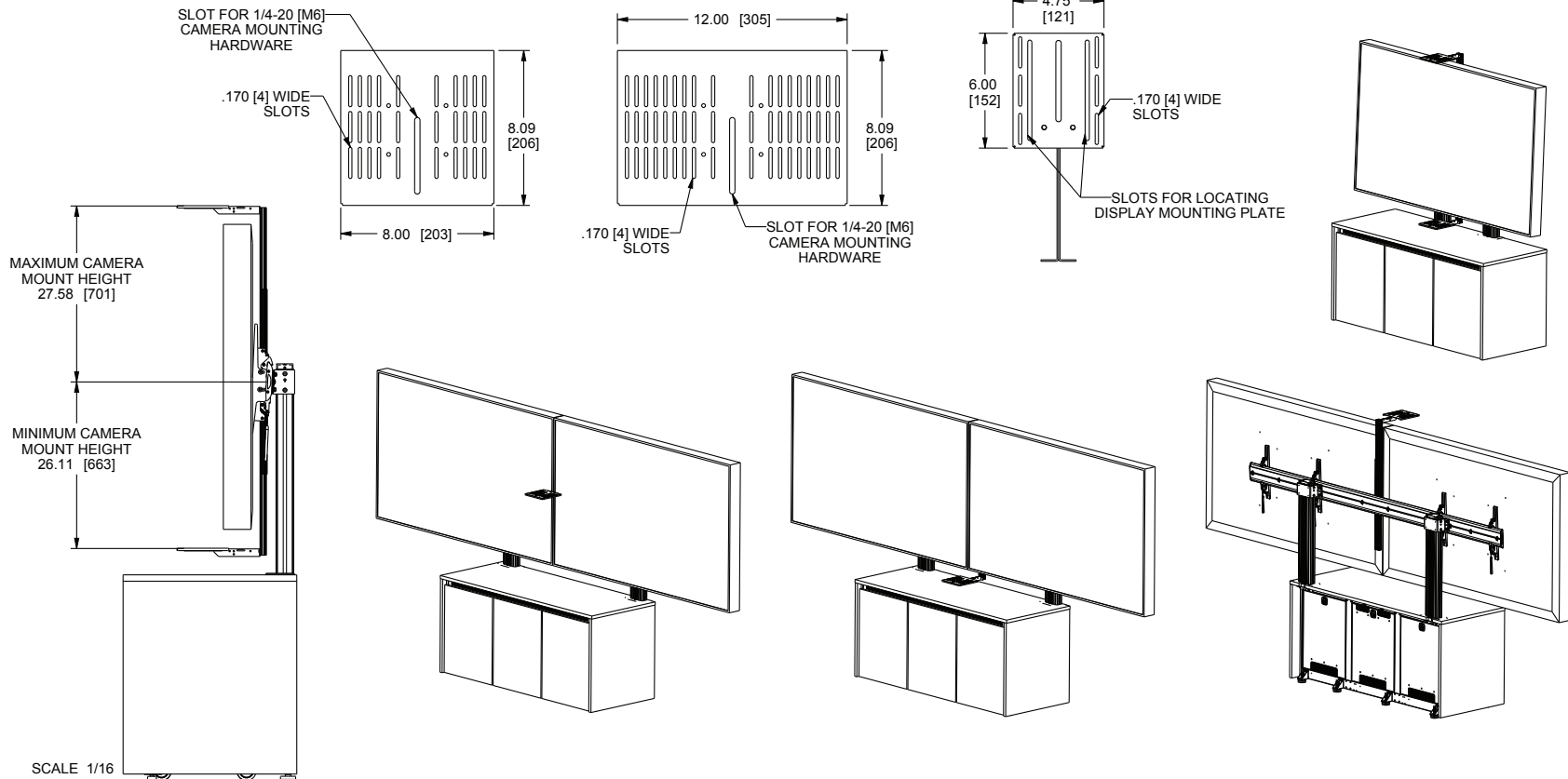
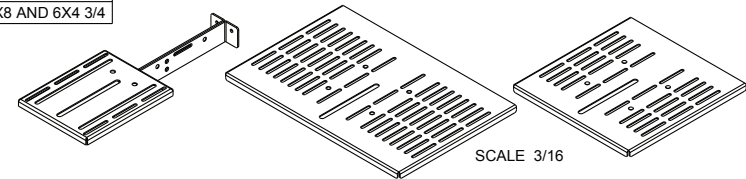
## basic dimensions

**NOTE(S):**

- 1) ALL DIMENSIONS SHOWN IN FORMAT: INCHES [MILLIMETERS]
- 2) DISPLAY MOUNT BRACKET LOCATIONS ARE BASED UPON LOCATION OF THE VESA MOUNTING HOLES ON EACH SPECIFIC DISPLAY
- 3) CAN BE MOUNTED IN ANY LOCATION HORIZONTALLY ABOVE OR BELOW DISPLAY, WITH THE EXCEPTION OF WHERE DISPLAY MOUNT BRACKETS AND POSTS ARE LOCATED
- 4) CAN BE MOUNTED IN ANY LOCATION BETWEEN TWO DISPLAYS
- 5) C5CM-128 ONLY AVAILABLE FOR 27" AND 31" DEEP MODELS

MODEL#	MOUNTING LOCATION	PLATFORM SIZE
C5CM-128	MIDDLE, TOP OR BOTTOM	12X8, 8X8 AND 6X4 3/4

DISPLAY MOUNTING PLATES INCLUDED WITH C5CM-128  
SCALE 3/16



what great systems are built on.™

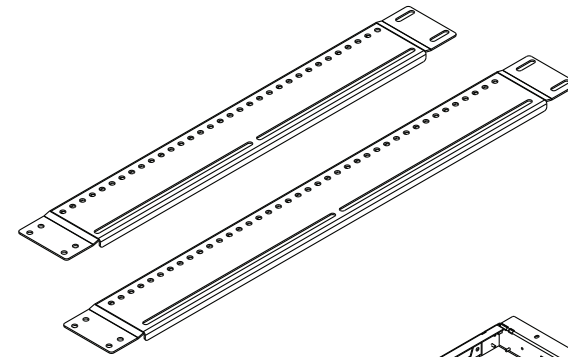
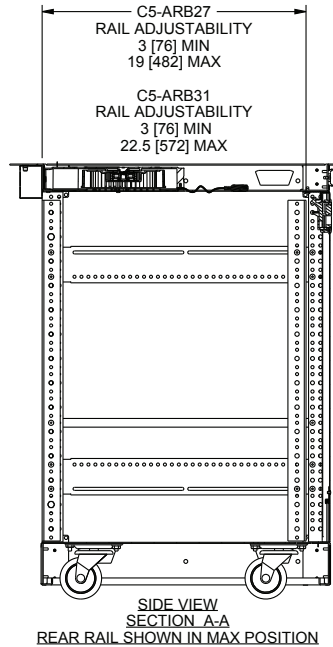
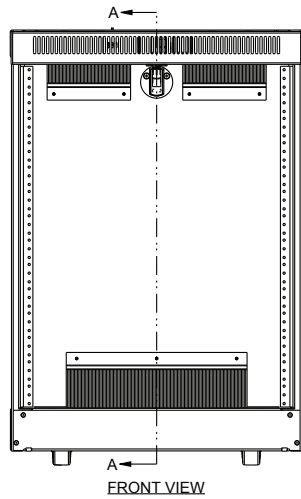
A brand of  Legrand

  
Middle Atlantic Products  
middleatlantic.com | middleatlantic.ca

# C5 Series: Adjustable Rail Bracket

basic dimensions

- NOTE(S):  
 1) ALL DIMENSIONS SHOWN IN FORMAT:  
 INCHES [MILLIMETERS]  
 2) ADJUSTABLE RAIL BRACKET ONLY AVAILABLE  
 FOR 27" AND 31" DEEP MODELS



PART NUMBER	COMPATIBLE WITH
C5-ARB27	C5-FF27-1 C5-FF27-2 C5-FF27-3
C5-ARB31	C5-FF31-1 C5-FF31-2 C5-FF31-3

