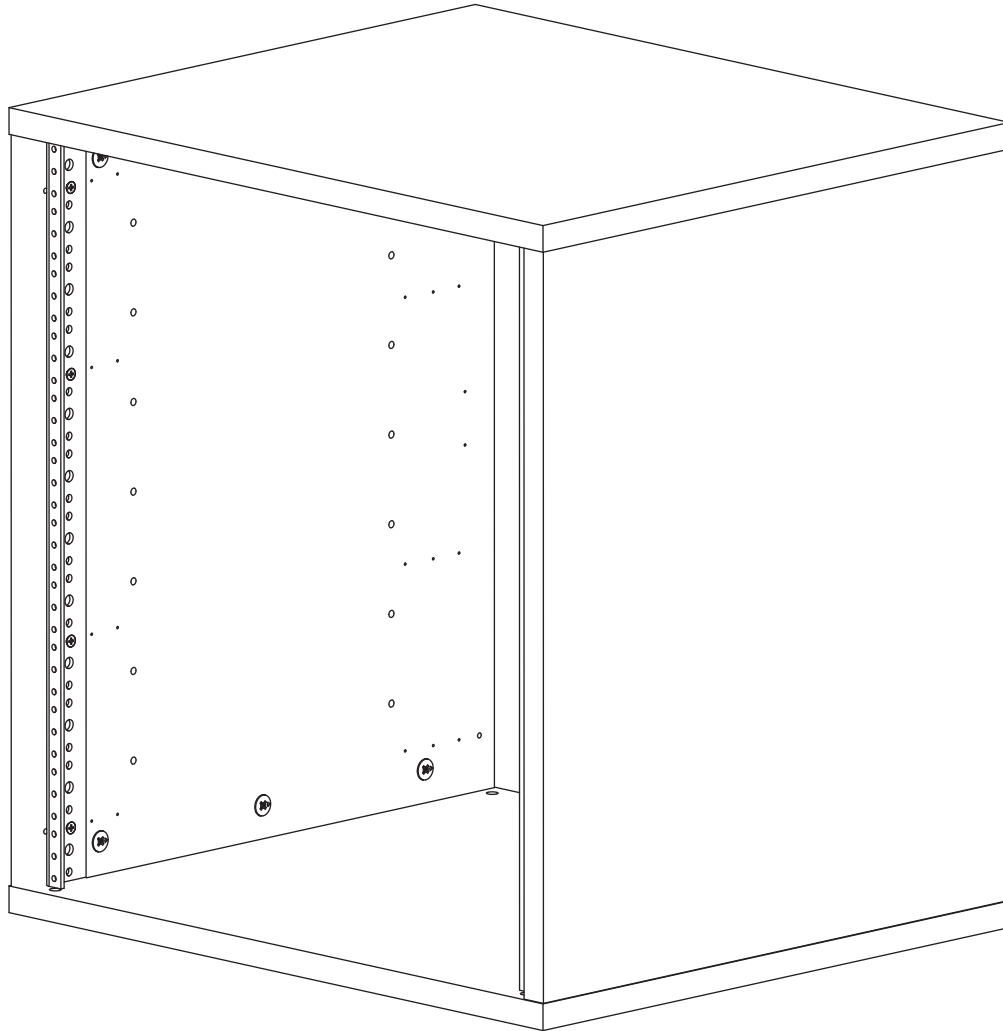


INSTRUCTION SHEET  
**MBRK/OBRK SERIES**  
18" DEEP LAMINATE RACK



**THANK YOU**

Thank you for purchasing the MBRK/OBRK Series 18" Deep Laminate Rack. Please read these instructions thoroughly before assembling this product.

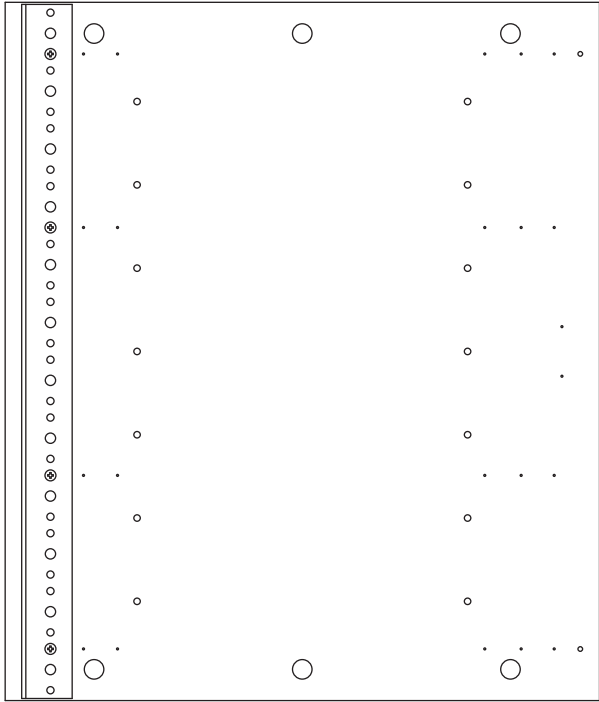
**PRODUCT FEATURES**

- Sturdy design
- Easy to assemble
- Multiple options are available for different configurations

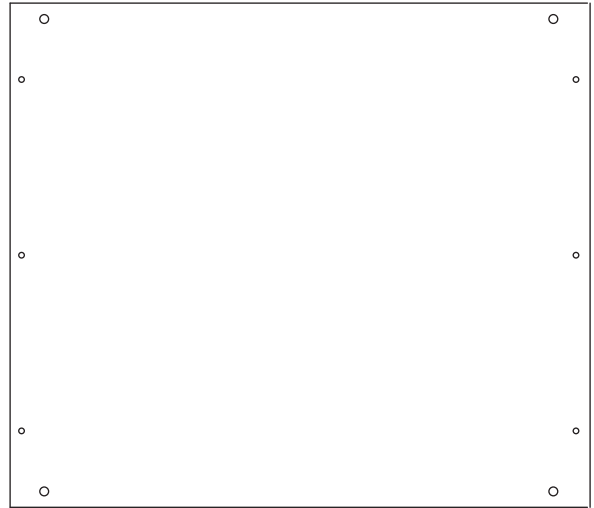
## TOOLS REQUIRED

#2 Phillips Driver

## PARTS



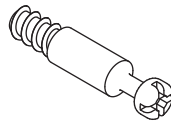
SIDES  
(INTERCHANGEABLE)  
(2)



TOP/BOTTOM  
(INTERCHANGEABLE)  
(2)



Stick on  
bumper  
(5 - one extra)



Bolt  
(12)



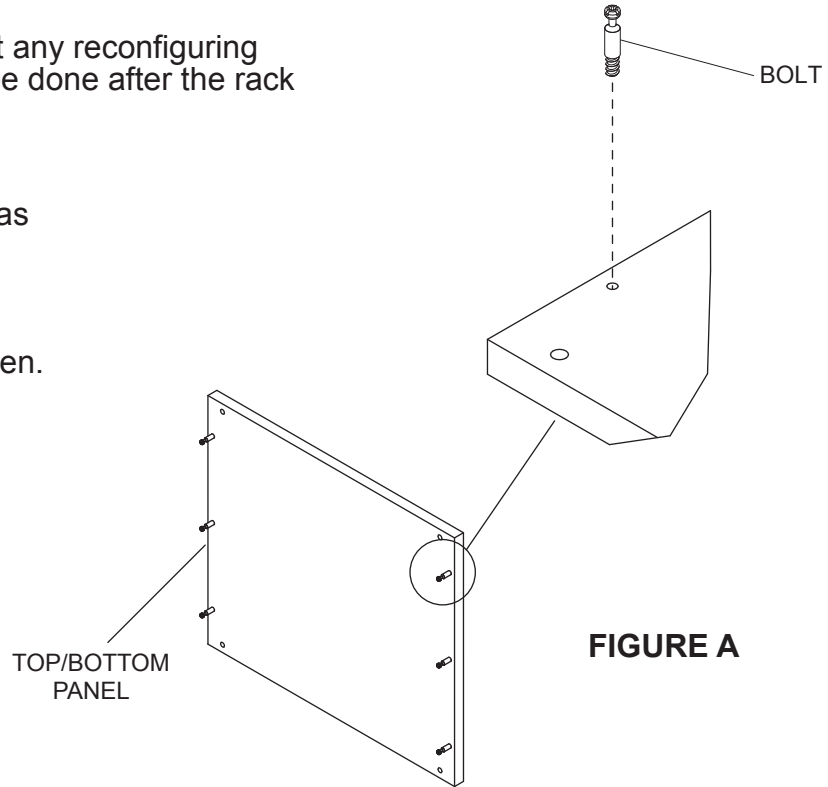
1/2 turn fastener  
(12)

## ASSEMBLY

**NOTE:** It is recommended that any reconfiguring or addition of rackrail be done after the rack is assembled.

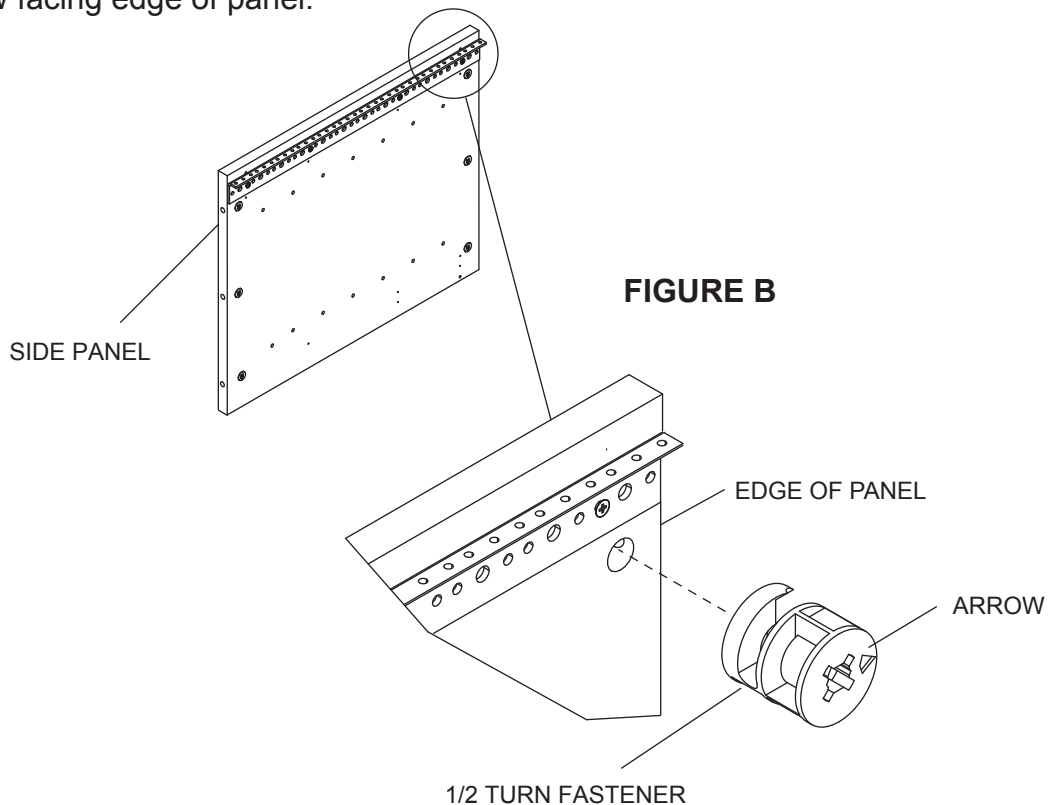
- 1) Using a screwdriver, install bolts to top/bottom panels as shown. (See **FIGURE A**)

**CAUTION:** Do Not Over Tighten.



- 2) Install 1/2 turn fasteners into sides as shown. (See **FIGURE B**)

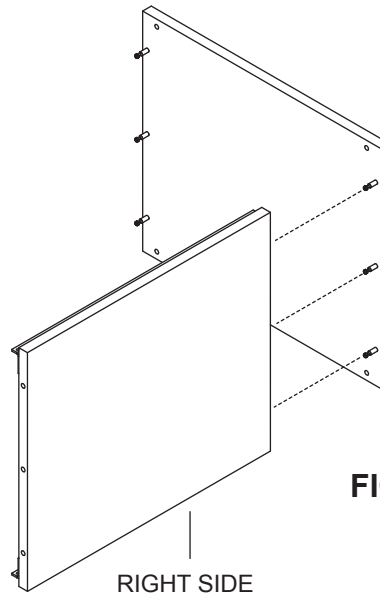
**NOTE:** 1/2 turn fasteners must be installed with arrow facing edge of panel.



## ASSEMBLY (Continued)

- 3) For ease of assembly, install one side panel and one top/bottom panel as shown. (See **FIGURE C**) Turn 1/2 turn fasteners clockwise to tighten.

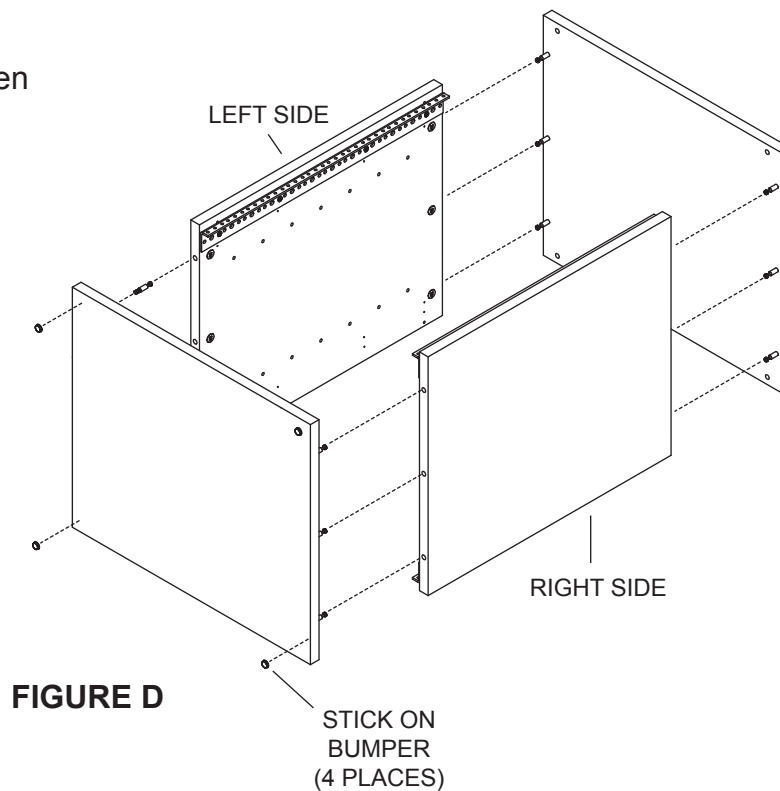
**NOTE:** Do Not Over Tighten.



**FIGURE C**

- 4) Assemble rest of rack as shown (See **FIGURE D**). Turn 1/2 turn fasteners clockwise to tighten.

**NOTE:** Do Not Over Tighten



**FIGURE D**

- 5) Install stick-on bumpers if not using optional casters.

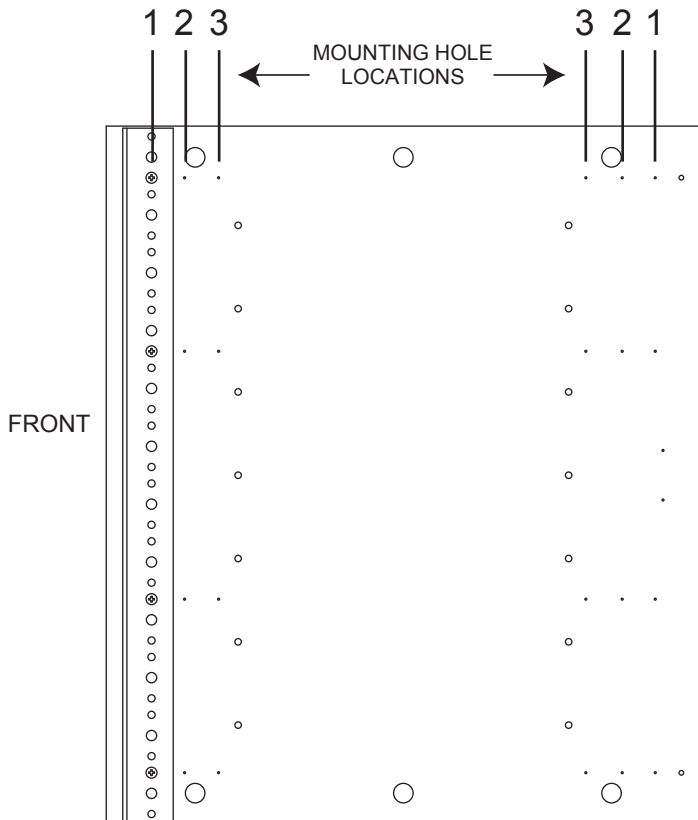
- 6) Assembly of rack is completed. Options and additional rackrails can now be installed.



**DETERMINE OPTIONS BEFORE CONTINUING**

- Casters, Part # - RKW
- Quick-Position™ Shelf, Part # - SH-BRK (Cannot be installed with front or rear rackrail in the 3rd setback location - see below)
- Power Strip, refer to our catalog or middleatlantic.com for a complete listing
- Rear rackrail, Part # - RK-RRxx
- Smoked, tempered glass door, Part # - RK-GDxx
- Rear Access Panel, Part # - RK-RAPxx (Not available for 6 space racks)
- 100 CFM DC Fan Kit, Part # - DCFANKIT-4.

1) Determine rail mounting requirements. The front rackrail comes pre-installed in mounting location 1.



- If the Door (RK-GDxx) and the Rear Access Panel (RK-RAPx) are not being used, the front and rear rackrail can be installed in any one of the three mounting locations.

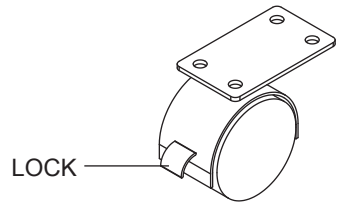
- If the Door (RK-GDxx) and the Rear Access Panel (RK-RAPx) are being used, the front rackrail must be installed in location two and the rear rackrail must be installed in location three.

**TIP:** When moving the front rackrail to the setback position, relocate and mount the rail on the opposite side of the panel to obscure the 1st set of mounting holes.

**IF YOU ARE USING THE REAR RAIL OPTION, INSTALL NOW**

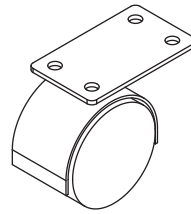
**OPTIONS**

Casters create a portable rack that locks in place, part # RKW.



LOCK

LOCKING CASTERS



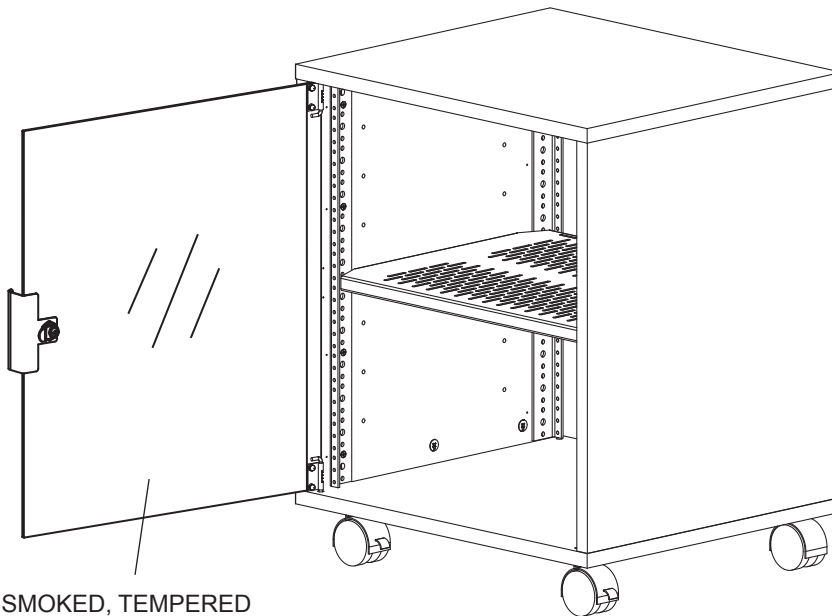
NON-LOCKING CASTERS

Rear rackrail (RK-RRxx) for equipment support and cable management.



REAR RACKRAIL

Smoked tempered glass door secures components and enhances appearance, part # RK-GDxx.



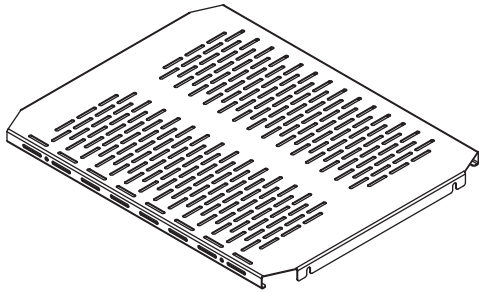
SMOKED, TEMPERED  
GLASS DOOR, RK-GDxx

## OPTIONS

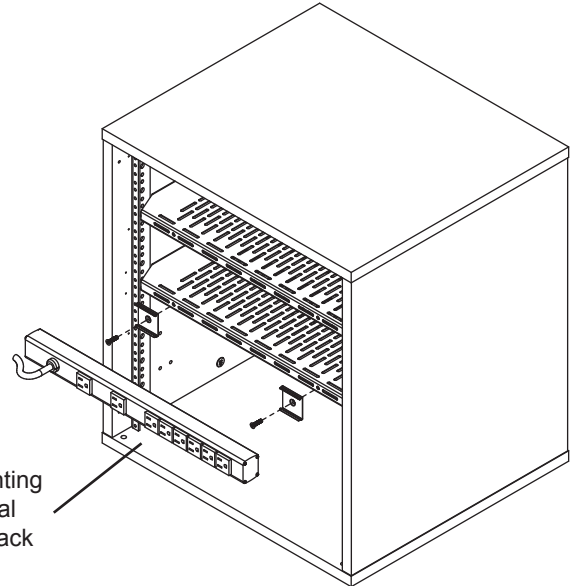
Quick-Position™ Shelf mounts without rack screws and accepts rear mounting of power strip, part # SH-BRK.

**NOTE:** Shelves can be used with or without rackrail installed.

**NOTE:** Rear Access Pan cannot be used if installing a power strip to the shelf.



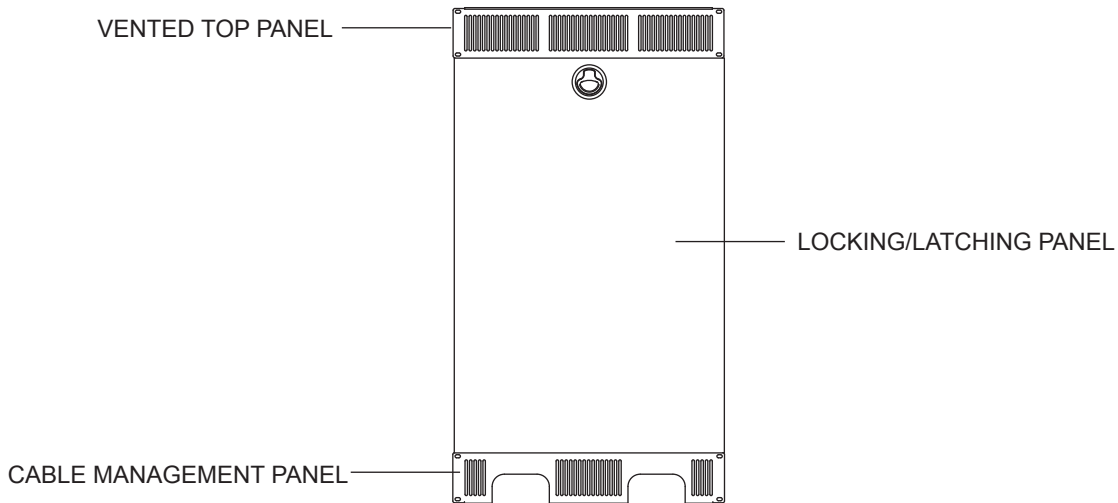
SH-BRK



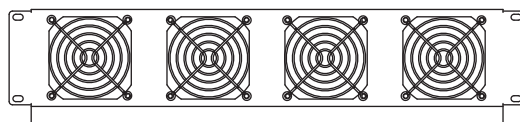
PD-815SC-NS POWER STRIP SHOWN (When mounting power strip to shelf, optional rear rackrail must be in setback position).

REAR VIEW

Locking/latching panel, tips out for easy access. Provides cable entry and security, part # RK-RAPxx.



100 CFM DC Fan Kit. Mounts in the top of the Rear Access Panel, part # DCFANKIT-4.



## **WARRANTY**

Middle Atlantic Products (the "Company") warrants the MBRK/OBRK Series to be free from defects in material or workmanship under normal use and conditions for a period of (7) years from date of shipment by the Company.

The Company's entire liability to the purchaser, and the purchaser's (or any other party's) sole and exclusive remedy, under this warranty shall be limited, at the Company's option, to either (a) return of and refund of the price paid for, or (b) repair or replacement at the Company's factory of the products purchased, or any part or parts thereof, which the Company has determined to be defective after inspection thereof at the Company's factory.

This warranty does not cover damage due to acts of God, accident, misuse, abuse or negligence by parties other than the Company, or any modification or alteration of the products. In addition, this warranty does not cover damage due to improper handling, assembly, installation or maintenance.

THIS WARRANTY IS IN LIEU OF ALL OTHER WARRANTIES OF ANY KIND, EITHER EXPRESSED OR IMPLIED, INCLUDING, BUT NOT LIMITED TO, IMPLIED WARRANTIES OF MERCHANTABILITY AND FITNESS FOR A PARTICULAR PURPOSE.

TO THE MAXIMUM EXTENT PERMITTED BY APPLICABLE LAW, IN NO EVENT SHALL THE COMPANY BE LIABLE FOR ANY SPECIAL, INCIDENTAL, INDIRECT, OR CONSEQUENTIAL DAMAGES WHATSOEVER (INCLUDING, WITHOUT LIMITATION, DAMAGES FOR LOSS OF BUSINESS PROFITS, BUSINESS INTERRUPTION OR ANY OTHER PECUNIARY LOSS) ARISING OUT OF THE USE OF THE PRODUCTS PURCHASED, EVEN IF THE COMPANY HAS BEEN ADVISED OF THE POSSIBILITY OF SUCH DAMAGES. THE COMPANY'S LIABILITY TO THE PURCHASER (OR ANY OTHER PARTY) HEREUNDER, IF ANY, SHALL IN NO EVENT EXCEED THE PURCHASE PRICE OF THE PRODUCTS PAID TO THE COMPANY.

### **Corporate Headquarters**

Corporate Voice 973-839-1011 - Fax 973-839-1976  
International Voice +1 973-839-8821 - Fax +1 973-839-4982  
middleatlantic.com - info@middleatlantic.com

### **Middle Atlantic Canada**

Voice 613-836-2501 - Fax 613-836-2690  
middleatlantic.ca - customerservicecanada@middleatlantic.ca

### **Factory Distribution**

USA: NJ - CA - IL Canada: ON - BC

**At Middle Atlantic Products we are always listening. Your comments are welcome.**

**Middle Atlantic Products is an ISO 9001 and ISO 14001 Registered Company.**

