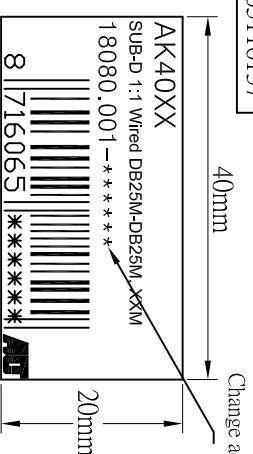
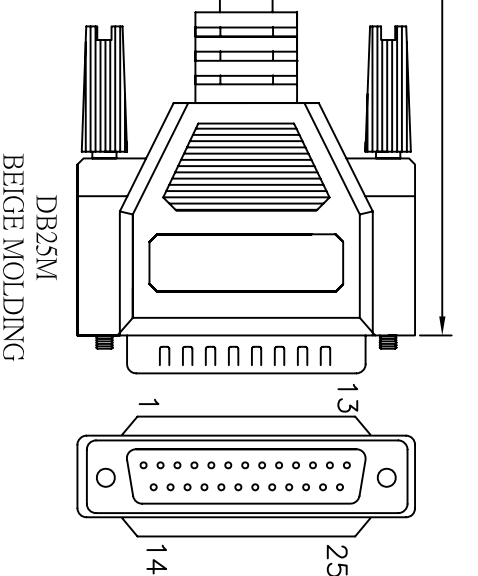


ITEM NO.	Length	Tolerance	Barcode
AK 4015	1800mm	30mm	8716065116113
AK 4016	3000mm	30mm	8716065116120
AK 4025	5000mm	50mm	8716065116137



Change according to the order

NOTE:

1. CABLE:NON-UL 30#*25C+1+AL,OD=7.0mm,BEIGE COLOR,PVC JACKET.
2. LENGTH:L
3. CONNECTOR: DB25M *2PCS(BLUE INSULATOR)
4. SCREW:# 4*40 INCH SCREW *4PCS.
5. MOLD:BEIGE MOLDING
6. CONTACTS:

DB25M	1	2	3	23	24	25	64
DB25M	1	2	3	23	24	25	64
7. OPEN/SHORT TEST:100% TEST.
INSULATION:5M/MIN.

RoHS Compliant

1PCS/PE BAG+STICKER

Company	I.B.V	Goods Code	Draw	FC001 WJF	Date	2009.10.13	D
ITEM NO.	AK 40XX	Drawing Evidence	Check		Date		C
Goods NO.			Approval		Date		B
Original NO.	S:*****	Unit(mm)			Date		VER. A
							REVISE
							Date

