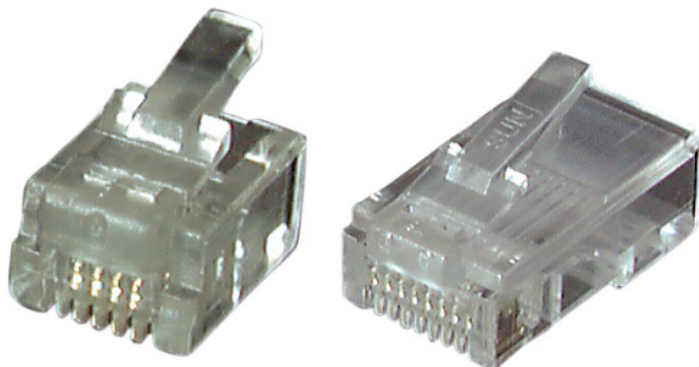


# DATASHEET

## Modular-Connector RJ12 UTP, E-MO 6/6 SR



### Description

Modular-Connector unshielded RJ12 6P6C  
 For round cable  
 Suitable crimping tool for RJ10/RJ11/RJ12/RJ45: Art.-No. E-MUC410  
 Suitable crimping tool for RJ69: Art.-No. 39945.2

### General data

Category	-
Model	jack (jack)
Connection type	crimp
Type of connector	RJ12 6(6)
Screened	False
Special tool necessary	True
Suitable for round cable	True
Suitable for flat cable	False
Suitable for litz wire conductor	True
Suitable for solid core	False

### Available variants

Article no.	Title	Colour
37518.1-100	Modular-Connector RJ12 UTP, E-MO 6/6 SR, 100 pcs.	transparent

This datasheet was created automatically on 18-11-2020 . Technical changes reserved.



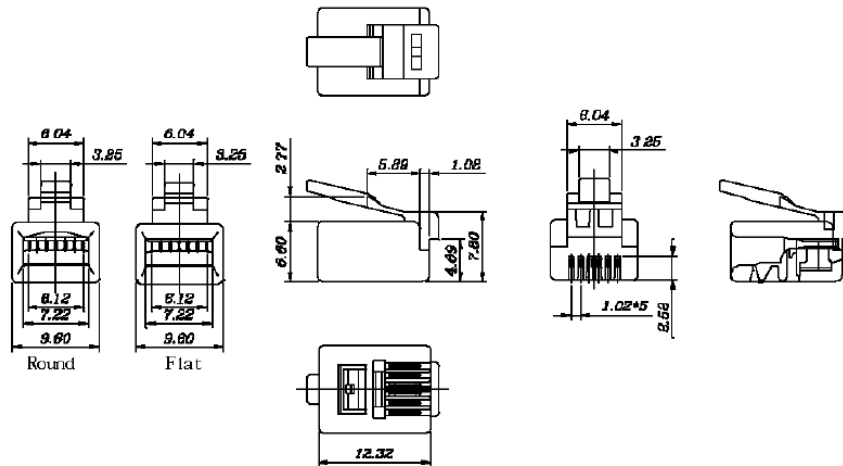
# DATASHEET

## Modular-Connector RJ12 UTP, E-MO 6/6 SR

### Technical drawings

#### Modular Plug RJ12 6/6. unshielded

E-MO 6/6 SF RJ12 for flat cable



#### Electrical Specifications:

- UL applications: 250 Volts AC max. @ 2 A
- Dielectric withstand voltage: 500 Volts AC
- Insulation resistance: 500 MΩ
- Termination resistance: 35 mΩ max. after environmental testing

#### Mechanical Specifications:

- Cable-to-plug tensile strength: 20 lbs (89 N) min.
- Durability: 2000 mating cycles

#### Material & Finish:

- Housing: Polycarbonate, UL94V-0 or UL94V-2
- Colour: transparent
- Contact blade: phosphor bronze
- Conductor: stranded & solid wire, 24AWG & 26AWG
- Gold plating: 3u"

