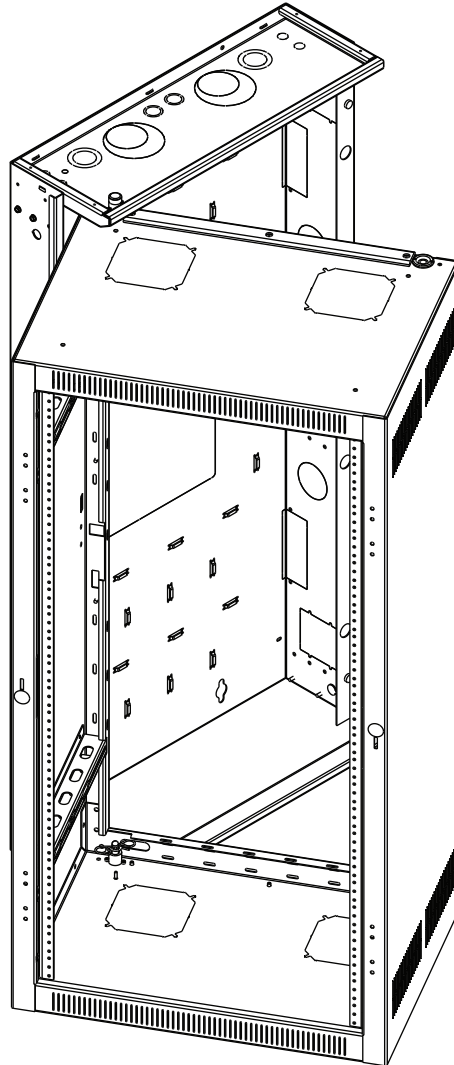


INSTRUCTION SHEET
DWR SERIES
SECTIONAL WALL MOUNT RACK



THANK YOU

Thank you for purchasing the DWR Series Sectional Wall Rack. Please read these instructions thoroughly before installing and assembling this product.

PRODUCT FEATURES

- Tool-Free Quick-Mount™ system allows easy, one person mounting of center section to backpan
- Zero Clearance Latch (Optional) allows side-by-side or interior corner mounting
- Wall mount sectional cabinet provides superior cable management

IMPORTANT SAFETY INSTRUCTIONS

- Read these instructions.
- Heed all warnings.
- Clean only with dry cloth.
- Keep these instructions.
- Follow all instructions.
- Only use attachments/accessories specified by the manufacturer.



DANGER HAZARDOUS VOLTAGE: The lightning flash with the arrowhead symbol, within an equilateral triangle is intended to alert the user to the presence of uninsulated dangerous voltage within the product's enclosure that may be of sufficient magnitude to constitute a risk of electric shock to persons.



WARNING: A warning alerts you to a situation that could result in serious personal injury or death.



CAUTION: A caution alerts you to a situation that may result in minor personal injury or damage to the product and/or property.



NOTE: A note is used to highlight procedures pertaining to the installation, operation, or maintenance of the product.



WARNING: Failure to read, understand and follow the following information can result in serious personal injury, damage to the equipment or voiding of the warranty.



CAUTION: To avoid an unstable condition, place heavier components at the bottom of the enclosure. When more than one component is placed in the enclosure, begin at the bottom of the enclosure and place equipment at the lowest available point, evenly distribute weight (horizontally) within the enclosure.

Component weight should be distributed as follows:

- 1/2 of the total component weight (at a minimum) placed in the bottom third of the cabinet.
- 1/4 of the total component weight (at a maximum) placed in the middle third of the cabinet.
- 1/4 of the total component weight (at a maximum) placed in the top third of the cabinet.



CAUTION: All installation and assembly steps must be performed by qualified personnel.



CAUTION: Ensure that the floor has a structural load capacity that will support the weight of the cabinet fully loaded with equipment.



CAUTION: Power cord, for fans or other accessories, need to be secured to ensure that they are routed away from pinch points and moving parts.



CAUTION: Do not attempt to unload or move the enclosures alone. Make sure to have sufficient amount of personnel and equipment to safely move this product.



CAUTION: The following parts are not effectively bonded to the protective earth terminal: Rack rails, lace bars, Lever Lock™, shelves, baffle, blanking panels, and cable management. If any part needs to be bonded to the protective earth terminal it shall be done in accordance with Article 250 of the National Electrical Code.



SEISMIC COMPLIANCE: An engineered system is vital to achieve seismic rating requirements. A licensed professional engineer must approve the type of fasteners for the wall where the rack will be mounted. Braced according to specifications set forth by licensed architects and engineers, the Middle Atlantic Products rack/enclosure you purchased is capable of sustaining a phenomenal lateral load of high importance equipment with the front rails filled to a maximum capacity of 140 lbs.



CAUTION: To reduce the risk of personal injury and conform to the ul listing these mounting instructions must be followed and proper weight capacity must be observed (see table below). As a general rule, heavier equipment should be placed towards the bottom of the rack.



CAUTION: Individual components mounted inside of the wall mount rack must have their own fire enclosure.

Part Number	Number of Mounting Holes	Maximum Weight Capacity
DWR-10-17/22	4	200 lbs.
DWR-12-17/22/26/32	4	200 lbs.
DWR-16-17/22	4	200 lbs.
DWR-18-17/22/26/32	4	250 lbs.
DWR-21-17/22	5	250 lbs.
DWR-24-17/22/26/32	5	300 lbs.
DWR-35-17/22/26	6	300 lbs.

INSTRUCTIONS IMPORTANTES SUR LA SÉCURITÉ

- Lire ces instructions.
- Respectez tous les avertissements.
- Nettoyer uniquement avec un chiffon sec.
- Conservez ces instructions.
- Suivez toutes les instructions.
- N'utilisez que des accessoires spécifiés par le fabricant.



DANGER TENSION DANGEREUSE: Le symbole de la pointe de flèche, dans un triangle équilatéral, est destiné à alerter l'utilisateur sur la présence de tension dangereuse non isolée dans l'enceinte du produit qui peut être d'une ampleur suffisante pour constituer un risque d'électrocution.



AVERTISSEMENT: Un avertissement vous avertit d'une situation pouvant entraîner des blessures graves ou la mort.



ATTENTION: Une attention vous avertit d'une situation pouvant entraîner des blessures mineures ou des dommages au produit et/ou à la

REMARQUE: Une remarque est utilisée pour mettre en évidence les procédures relatives à l'installation, au fonctionnement ou à l'entretien du produit.



AVERTISSEMENT: Ne pas lire, comprendre et suivre les informations suivantes peut entraîner des blessures graves, des dommages à l'équipement ou de la nullité de la garantie.



ATTENTION: Pour éviter un état instable, placez composants les plus lourds au fond de l'enceinte. Lorsque plus d'un composant est placé dans la enceinte, commencer par le bas de l'enceinte et placer l'équipement à la point le plus bas disponible, de distribuer uniformément le poids (horizontalement) dans la enceinte.

Le poids des composants devrait être réparti comme suit:

- 1/2 du poids total de la composante (au minimum) placé dans le tiers inférieur de l'armoire.
- 1/4 du poids total de la composante (au maximum) placé dans le tiers médian de l'armoire.
- 1/4 du poids total de la composante (au maximum) placé dans le tiers supérieur de l'armoire.



ATTENTION: Toutes installation et de montage étapes doivent être effectuées par du personnel qualifié.



ATTENTION: Veiller à ce que le sol a une capacité de charge structurelle qui supporter le poids de le cabinet entièrement chargé avec l'équipement.



ATTENTION: Le cordon d'alimentation, pour les fans ou autres accessoires, doivent être fixé à veiller à ce que ils sont acheminés loin des points de pincement et des pièces mobiles.



ATTENTION: Ne essayez pas de décharger ou déplacer les enceintes seul. Assurez-vous d'avoir quantité suffisante de personnel et de matériel pour déplacer ce produit en toute sécurité.



ATTENTION: Les pièces suivantes ne sont pas correctement liés à la borne de terre de protection: rails de rack, des bars de dentelle, Lever Lock™, des étagères, des chicanes, des panneaux d'obturation, et la gestion des câbles. Si une partie doit être lié à la borne de terre de protection, il doit être fait conformément à l'article 250 du Code national de l'électricité.



RESPECT SISMIQUE: Un système conçu est indispensable pour atteindre exigences de notation sismiques. Un ingénieur agréé doit approuver le type d'attaches pour le mur où la grille sera monté. Haubanée selon les spécifications énoncées par architectes agréés et des ingénieurs, la Middle Atlantic Products rack/enceinte vous avez acheté est capable de soutenir une charge latérale phénoménale de équipement de haute importance avec les rails de front remplis à une capacité maximale de 63.5 kg (140 lbs.).



ATTENTION: Pour réduire le risque de blessures et conforme au ul inscription de ces instructions de montage doivent suivre et bonne poids capacité doit être observée (voir tableau ci-dessous). En règle générale, équipement placer les plus lourds vers le bas de la grille.



ATTENTION: Les composants individuels montés à l'intérieur de montage mural doivent avoir leur propre armoire à incendie.

Numéro de Partie	Nombre de Trous de Montage	Capacité de Charge Maximale
DWR-10-17/22	4	90.7 kg (200 lbs.)
DWR-12-17/22/26/32	4	90.7 kg (200 lbs.)
DWR-16-17/22	4	90.7 kg (200 lbs.)
DWR-18-17/22/26/32	4	113.3 kg (250 lbs.)
DWR-21-17/22	5	113.3 kg (250 lbs.)
DWR-24-17/22/26/32	5	136 kg (300 lbs.)
DWR-35-17/22/26	6	136 kg (300 lbs.)

OVERALL DIMENSIONS

Width: 23.4"

Height: 10 RU - 35 RU

Depths: 17", 22", 26"* and 32"*

* Available for certain heights only

INSTALLATION

1. Separate backpan from center section and determine hinge side.

NOTE: DWR center section can be opened from left-to-right or vice versa depending on how backpan is installed.



CAUTION: The backpan must be installed plumb and level for proper operation.

ATTENTION: La plaque profilée doit être aplomb et de niveau pour un fonctionnement.

NOTE: Ensure the backpan is screwed to the studs. All DWRs may be mounted using the method outlined in step 2, and DWRs up to 26" overall depth may also be mounted on concrete walls. You can install 32" overall depth DWRs as outlined in step 2 only.

2. Mount backpan to wall (a minimum of 4" clearance top and bottom is required) using 3/8" dia. lag bolts with a minimum length of 2" and standard flat washers. **(FIGURE A)**

NOTE:

- The standard flat washers must be installed under the lag bolt heads. Refer to the chart on the previous page for the number of mounting holes required. All mounting holes must be used.
- Feet are included with the 24 and 35 rackspace DWRs only. These feet are to be used when mounting in close proximity to the floor (4"). The feet help reduce the shear weight off of the mounting hardware that is used to hold the rack to the wall when a significant amount of weight is loaded in the rack.

3. To install feet, remove screws on bottom of backpan (both sides) and reattach with feet in position. **(FIGURE B)**

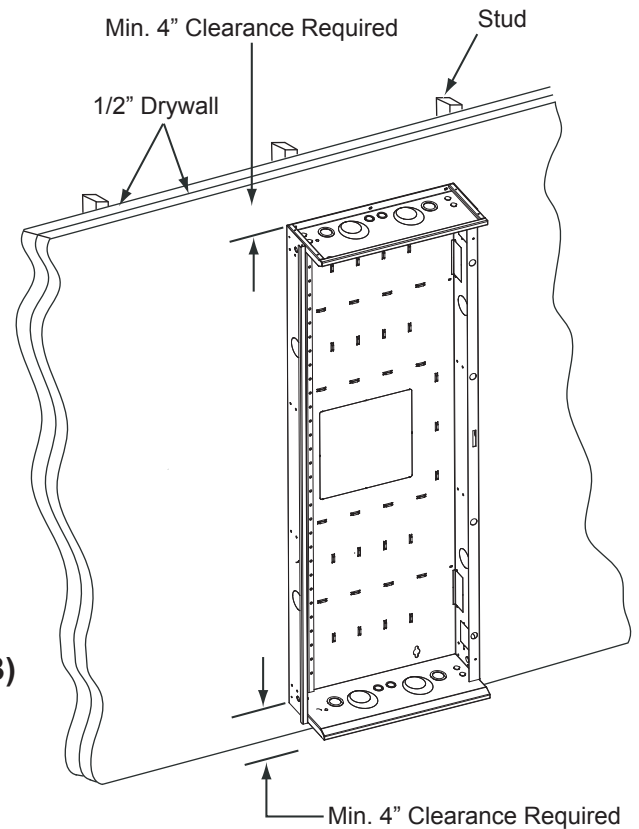


FIGURE A

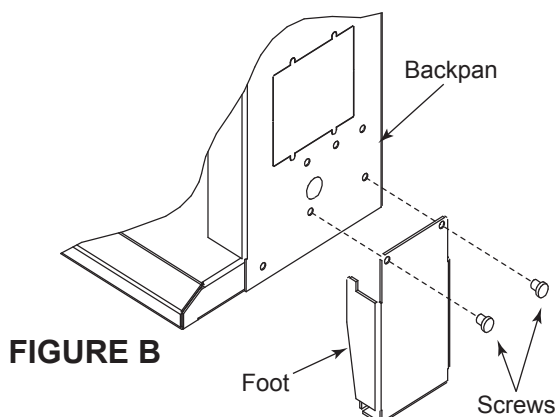
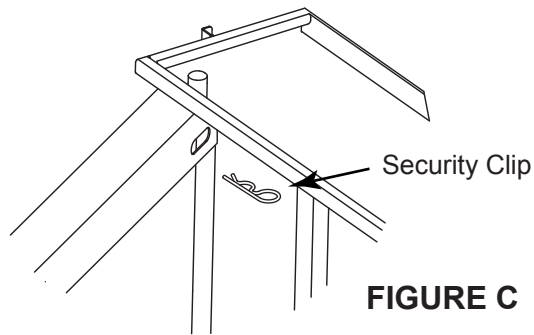


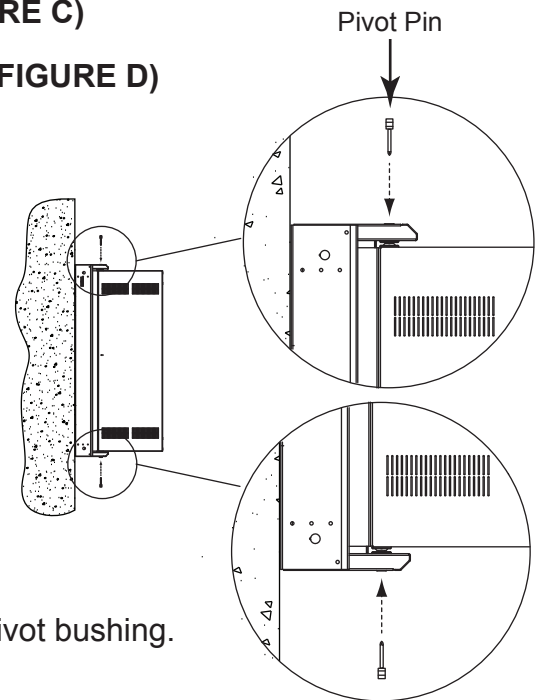
FIGURE B

INSTALLATION (CONTINUED)

- Remove security clips located at top and bottom of unit. **(FIGURE C)**
- Remove pivot pins located at the top and bottom of backpan. **(FIGURE D)**



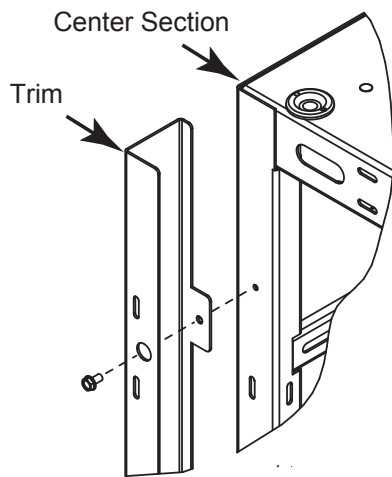
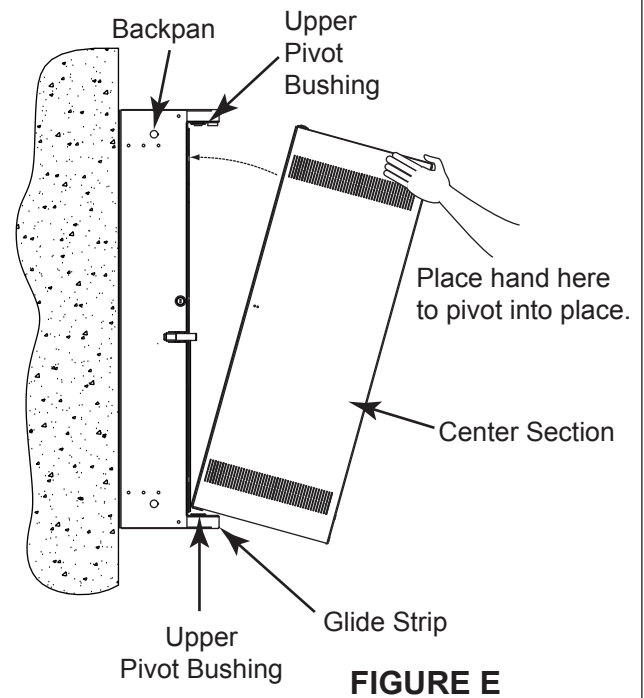
- Lift the center section and place the bottom glide strip on the edge of the backpan. Position the center section so as to engage the lower pivot bushing on the backpan. **(FIGURE E)**
- Pivot top of center section into backpan and align with upper pivot bushing. **(FIGURE E)**



- Insert pivot pin into upper bushing, hand tighten fully and then back out one turn. Repeat for lower bushing. **(FIGURE D)**
- Install the security clips to prevent removal of pivot pins from exterior of enclosure. **(FIGURE C)**

NOTE: When installing front door, the factory rackrail setback will be 1-1/2" to the inside of the door. The lock and handle located at the center of the door will have an additional setback of 1/2". Please adjust rackrail accordingly before installing equipment.

- Install trim on the pivot side of the center section with a 5/16" socket/nut driver using screws preinstalled on the back of the center section. **(FIGURE F)**



NOTE: Thread cutting screws supplied on both sides for your convenience. Leave unused thread cutting screws in place on opposite side.

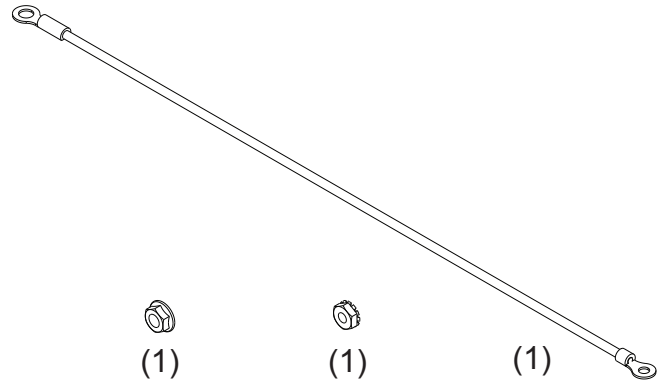
GROUNDING AND BONDING

Protective Earth Terminals (PET) are located in backpan of the wall rack. These terminals are marked with the symbol ⚡
 Wall rack parts, center section and door, contain or are provided with bonding points for connection to the backpan / PET.
 Protective earth and bonding connections shall be in accordance with Article 250 of the National Electric Code.

OPTIONAL PROTECTIVE EARTH TERMINAL KIT: #PET-K-D/EWR

PARTS LIST

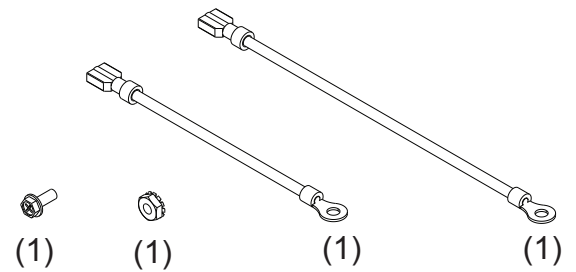
- | | <u>QTY</u> |
|--|------------|
| • Backpan bonding wire [12 Gauge Wire (#10 ring terminal to 1/4" ring terminal)] 14" | (1) |
| • Flange Nut 1/4-20 | (1) |
| • Locking Nut 10-32 | (1) |



OPTIONAL PROTECTIVE EARTH TERMINAL KIT: #PET-K-D/EWRD

PARTS LIST

- | | <u>QTY</u> |
|---|------------|
| • Door bonding wire [12 Gauge Wire (#10 ring terminal to male disconnect)] 6" | (1) |
| • Door bonding wire [12 Gauge Wire (#10 ring terminal to female disconnect)] 4" | (1) |
| • Thread forming screw M4 x .7 | (1) |
| • Locking Nut 10-32 | (1) |

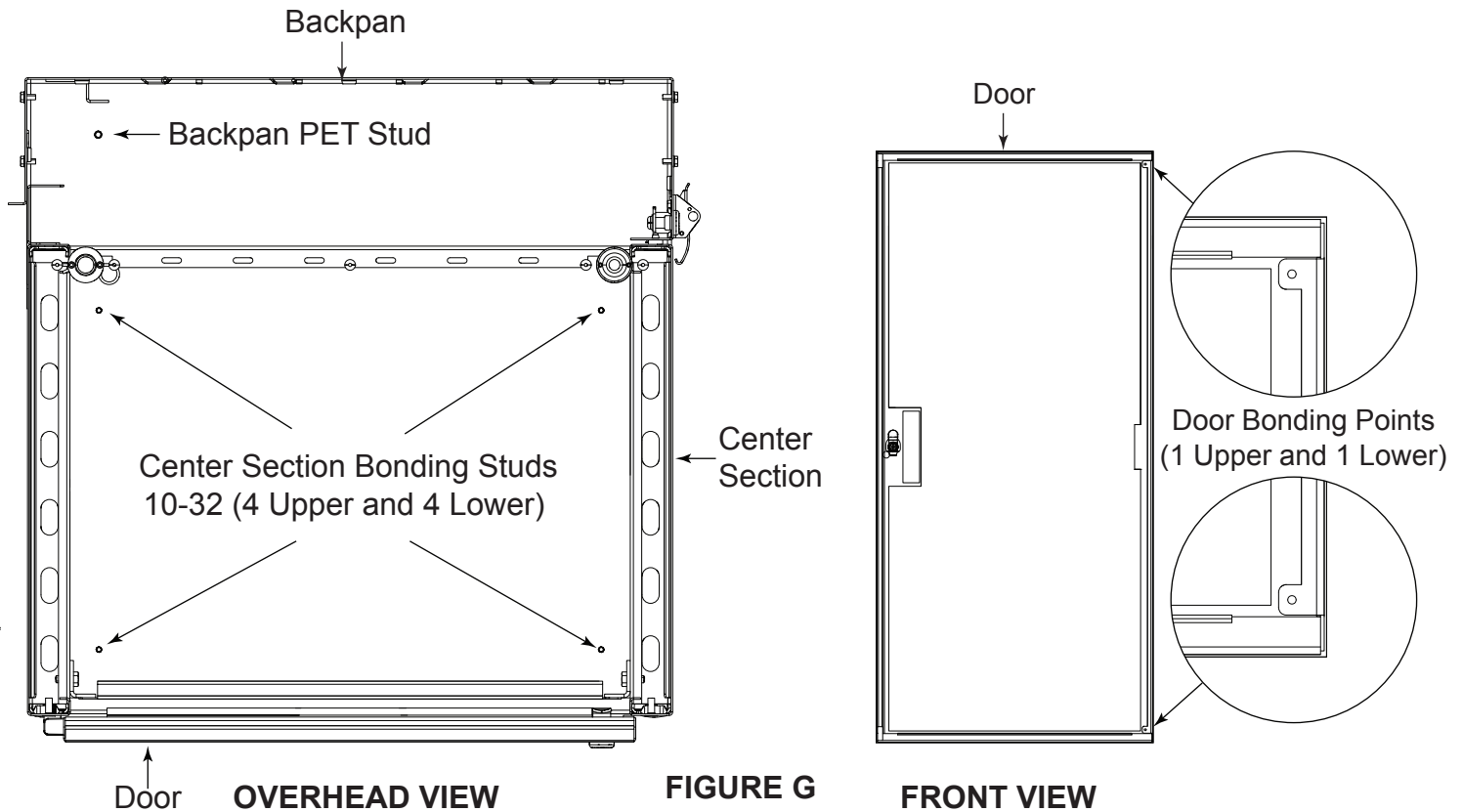


GROUNDING AND BONDING (CONTINUED)

1. Attach **backpan bonding wire** from 1/4"-20 backpan protective earth terminal (PET) to nearest center section bonding stud (10-32) using hardware provided. **(FIGURE G)**

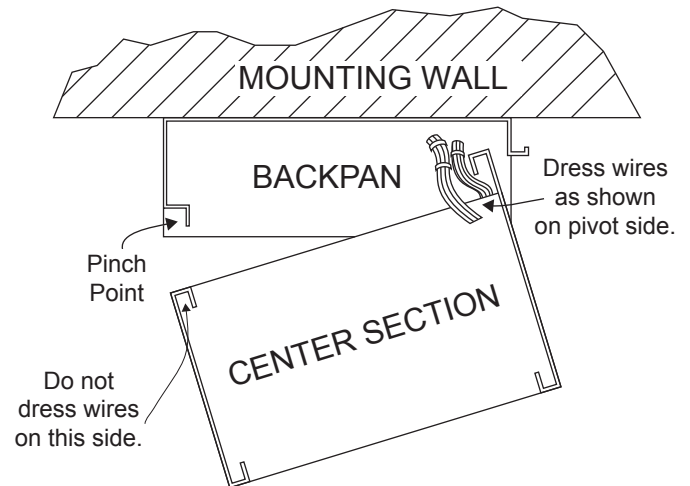
NOTE: The main protective earth ground needs to be the first terminal placed on the PET and this terminal needs to be secured on its own with a nut. The bonding wire for the center section can be added to the PET after securing the nut for the main ground. **(FIGURE G)**

2. **FOR OPTIONAL DOOR:** Attach **door bonding wire** (with male or female disconnect end) to door bonding point with thread forming screw (included). **(FIGURE G)**
3. Attach remaining door bonding wire to nearest center section bonding stud (10-32) using hardware provided. **(FIGURE G)**
4. Connect male and female ends of door bonding wire set.

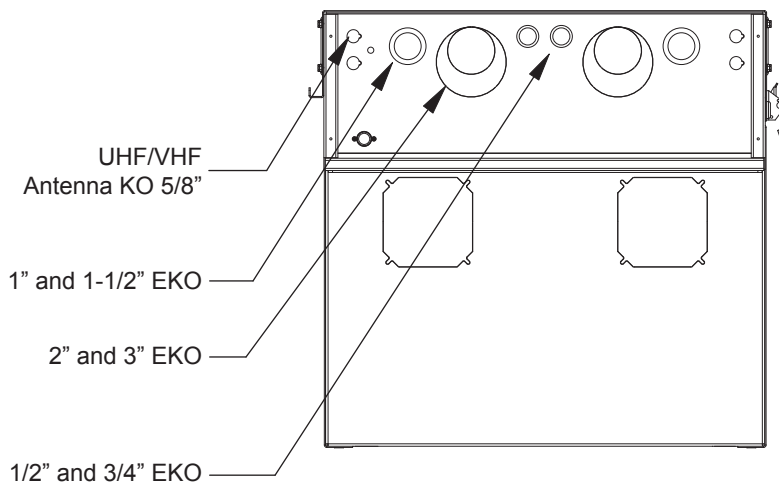


CABLE MANAGEMENT

- Use Hook and loop slots and/or cable ties provided on top, bottom, and sides of center section for cable management.
- Use hook and loop slots and/or cable ties in Z-bracket or cable management.
- Use hook and loop slots and/or cable ties in bridge lances on backpan for cable management.



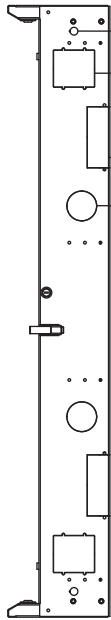
TOP VIEW



- Laser knockouts are located in the center of the backpan for large electrical boxes.
- Knockouts provided in top/bottom for electrical fittings, UHF/VHF antenna, and cable entry.

NOTE: Optional grommets, Middle Atlantic Products model number GR-30, are available to protect wiring when using knockouts.

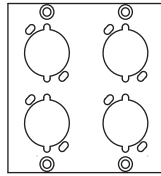
SIDE VIEW



KNOCKOUTS PROVIDED ON SIDE INCLUDE:

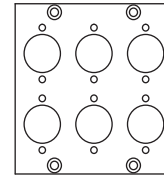
- UHF/VHF antenna
- Middle Atlantic Products UCP modules (used to mount commonly used input and output connectors)
- 4" cable duct (accommodates Wiremold™ 4000 series)
- 2" LKO (**NOTE:** 2" LKO on 21 space rack and up only)

EXAMPLE OF MIDDLE ATLANTIC PRODUCTS UCP MODULES



UNIV4

(Fits Neutrik FP, MP, MDL and other connectors)



XLR

(Fits Neutrik MPL, LNEMP and other connectors)

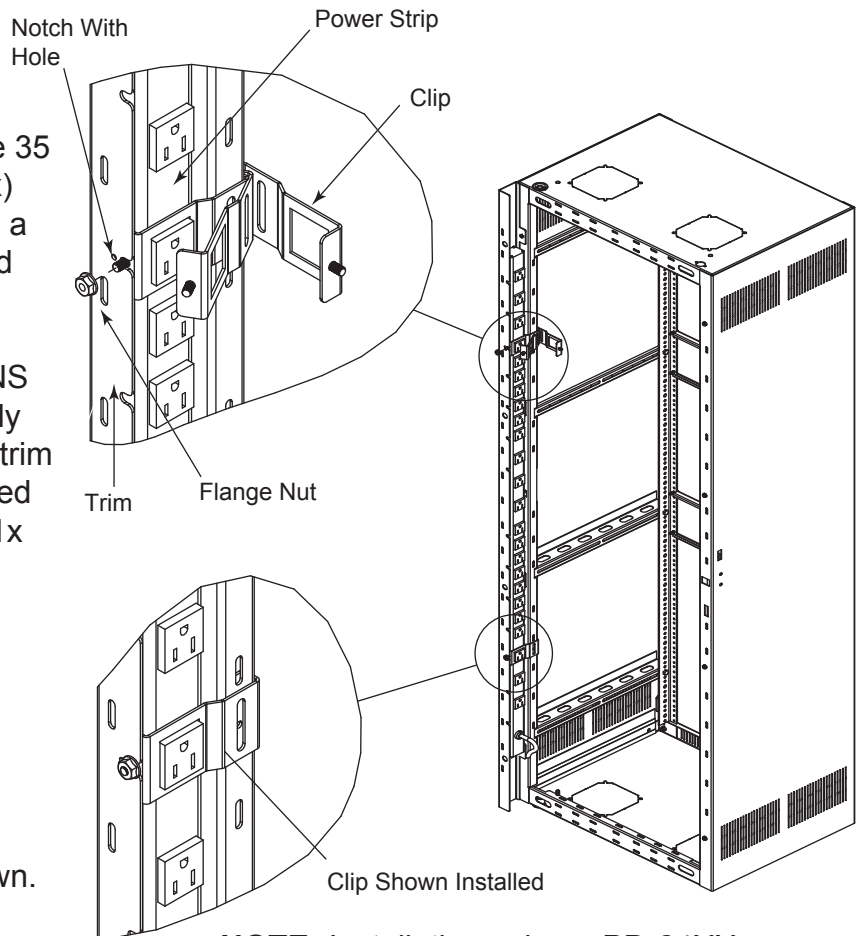
POWER STRIP INSTALLATION

Middle Atlantic Products power strips (PD-815SC, PD-815SC-NS, PD-2415SC, PD-2415SC-NS and PD-2420SC-NS only) can be mounted inside the center section trim with the included hardware. This simplifies cable management by requiring no additional accessories.

NOTE:

- PD-2415SC, PD-2415SC-NS, and PD-2420SC-NS power strips only fit in the 35 space wall rack and require the use of (2x) clips. Install clips only to trim notches with a hole. (Only 1x power strip can be mounted to the trim.)
- Power strips PD-815SC and PD-815SC-NS fit in all DWR Series racks and require only (1x) clip. The clip can be installed on any trim notch. (Only 1x power strip can be mounted to trim for 10-18 space wall racks; either 1x or 2x power strips can be mounted to trim for 21 and 24 space wall racks.)

1. Place the power strip in the trim, positioned so the clip mounts over an outlet and clip aligns with the notch as shown.
2. Install clip and tighten flange nut as shown.

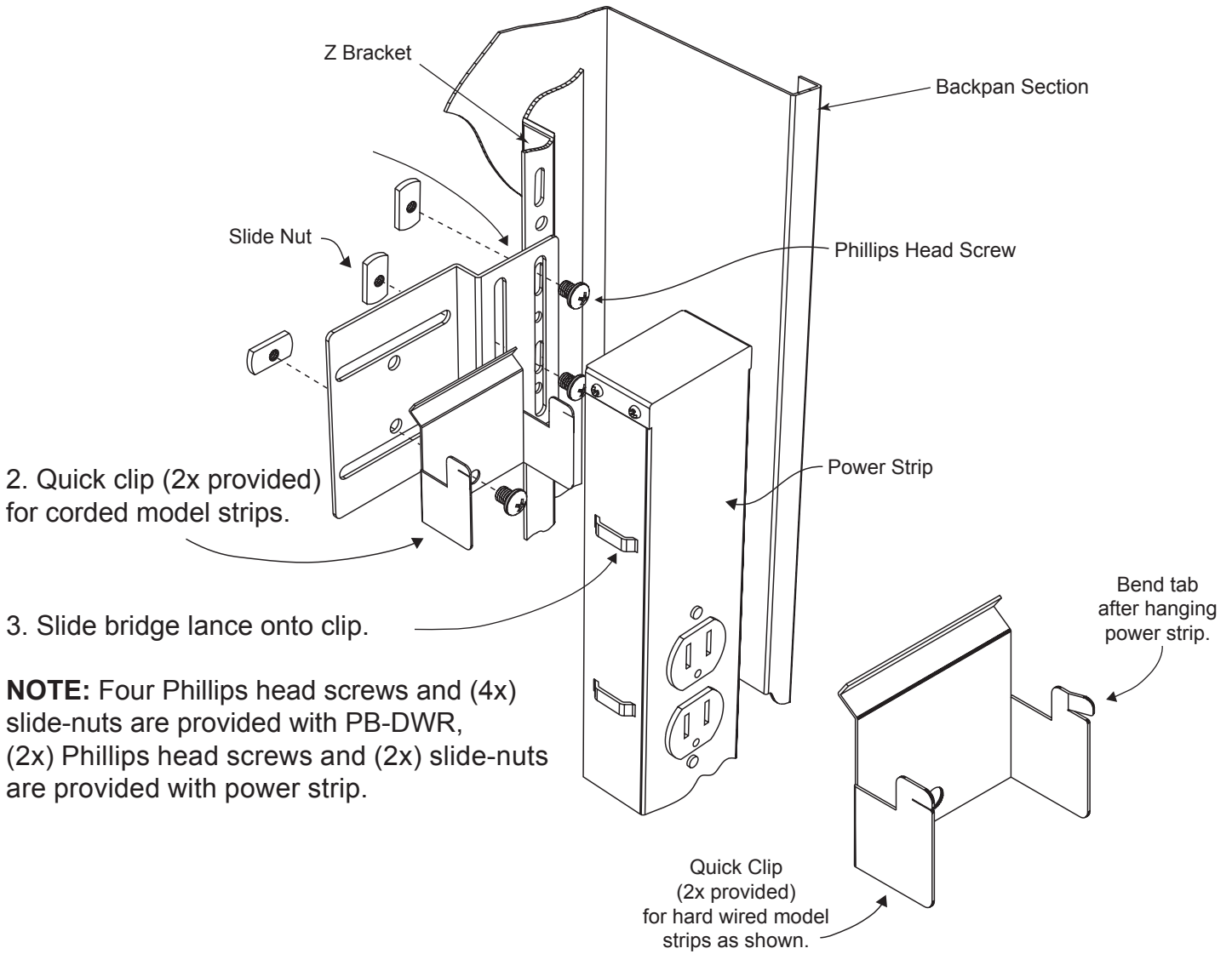


NOTE: Installation using a PD-24XX power strip with two clips is shown.

VERTICAL POWER STRIP INSTALLATION

NOTE: Requires Middle Atlantic Products part number PB-DWR (sold separately).

1. Install PB-DWR power bracket (2x provided) to Z bracket.



THERMAL KNOCKOUTS BASED ON ENCLOSURE DEPTHS

Thermal knockout sizes vary based on the following enclosure depths:

- Enclosures 17" and 22" deep accept (2x) 4" fans. (**FIGURE H**)
- Enclosures 26" and 32" deep accept (2x) 6" fans. (**FIGURE J**)

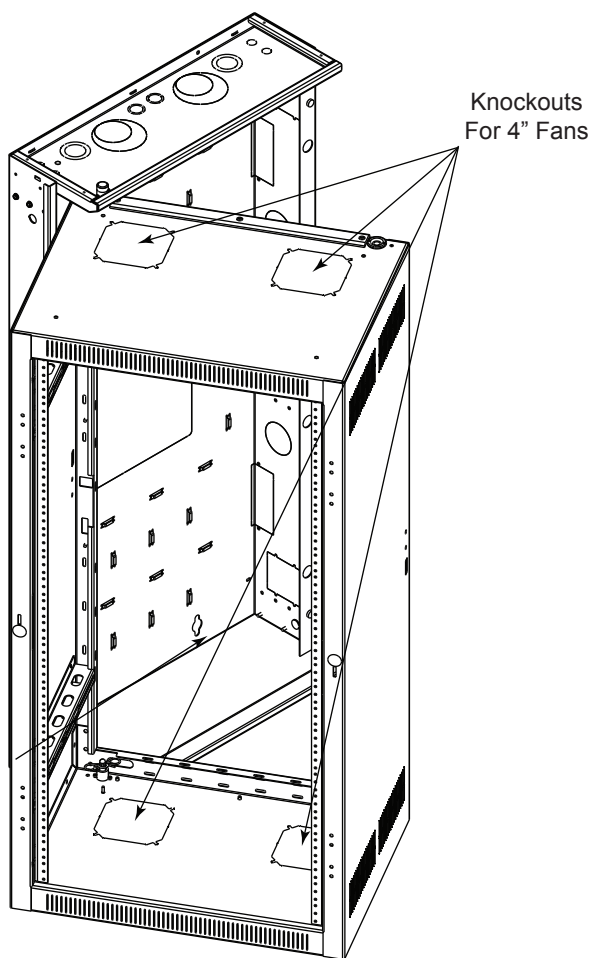


FIGURE H

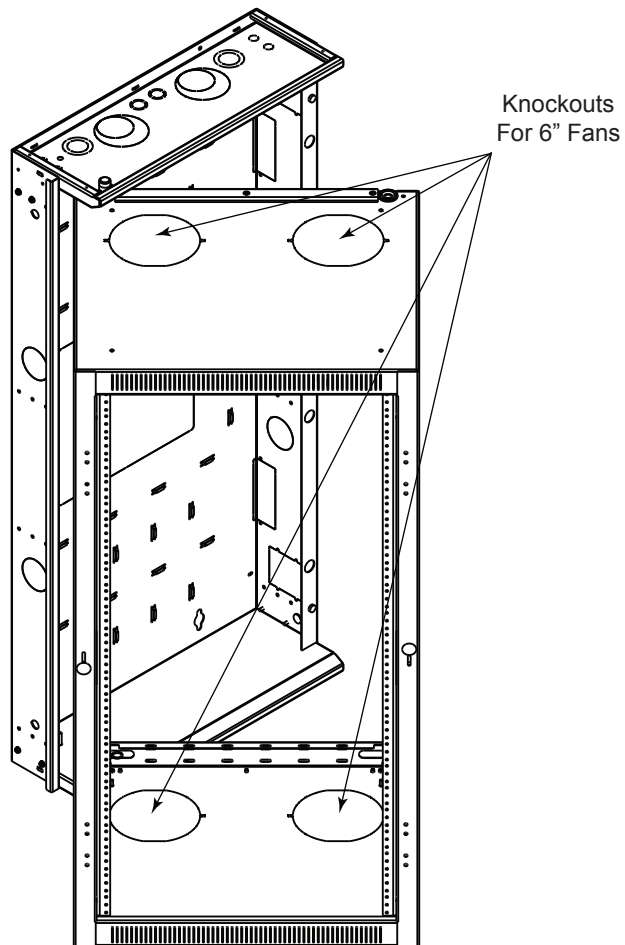


FIGURE J

WARRANTY

For warranty information, refer to <http://www.middleatlantic.com/company/about-us.aspx#warranty>

Corporate Headquarters

Corporate Voice: 973-839-1011 - Fax: 973-839-1976 / International Voice: +1 973-839-8821 -
Fax: +1 973-839-4982

www.middleatlantic.com - info@middleatlantic.com

Middle Atlantic Canada

Voice: 613-836-2501 - Fax: 613-836-2690 / ca.middleatlantic.com -
customerservicecanada@middleatlantic.ca

Factory Distribution

USA: NJ - CA - IL Canada: ON - BC

At Middle Atlantic Products we are always listening. Your comments are welcome.

Middle Atlantic Products is an ISO 9001 and ISO 14001 Registered Company.