

UD Series

UTILITY DRAWERS

the UD series rackmount utility drawers offer an economical storage solution for any enclosure

FEATURES:

- Full extension ball bearing slides extend a full 14"
- Durable black powder coat finish
- Keylock and latch option for security, user-installed (2, 3 and 4 space drawers only)
- Cable entry point at the rear of the drawer allows for optimized cable management
- Four sizes available
- UL Listed in the US and Canada



UD1
(shown as a writing surface)



UD1



UD3

SPECIFICATIONS:

EIA compliant 19" rackmount drawer shall be Middle Atlantic Products model # UD_ (refer to chart). Drawer shall have useable width of __", a useable surface of __" and occupy __ rackspaces (refer to chart). Drawer base shall be __-gauge steel, top and sides shall be __-gauge steel (refer to chart). Drawer faceplate shall be __-gauge steel with a black powder coat finish (refer to chart). Drawer shall extend __" (refer to chart). Drawer shall use full extension, ball bearing slides. UD__ shall have cable entry point at the rear of the drawer. UD__ shall have a knockout on the face of the drawer to accommodate optional user-installed latch and keylock (refer to chart). Drawer shall have mounting hole spacing of __" (refer to chart). Drawer shall have a 50 lb. weight capacity. Drawer shall be UL Listed in the US and Canada. Drawer shall be RoHS EU Directive 2011/65/EU compliant. Drawer shall be manufactured by an ISO 9001 and ISO 14001 registered company. Drawer shall be warranted to be free from defects in materials or workmanship under normal use and conditions for a period of three years.

Customizable specification clips available at middleatlantic.com

OPTIONS:

- User installed latch for UD Series drawers shall be Middle Atlantic Products model # LATCH. LATCH shall fit 2, 3 and 4 space drawers.
- User installed keylock for UD Series drawers shall be Middle Atlantic Products model # KYLK. KYLK shall fit 2, 3 and 4 space drawers.
- Additional set of keys for KYLK shall be Middle Atlantic Products model # ACC-KEY.
- No-slip drawer mat for UD Series drawers shall be Middle Atlantic Products model #DM.



WHAT GREAT SYSTEMS ARE BUILT ON.™

A brand of **legrand**

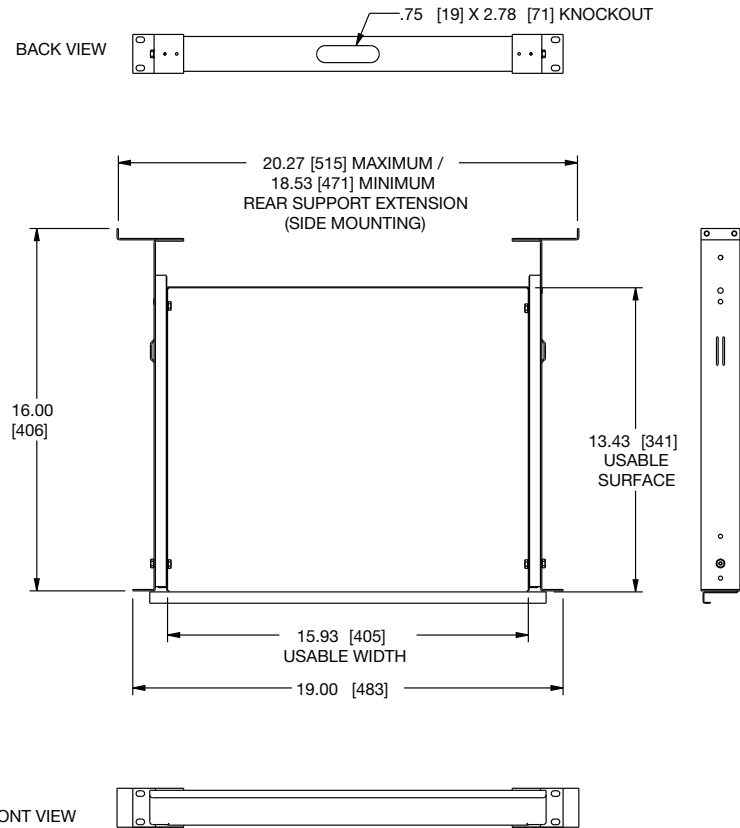
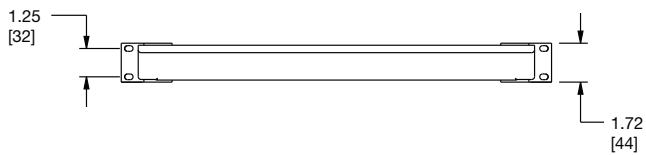
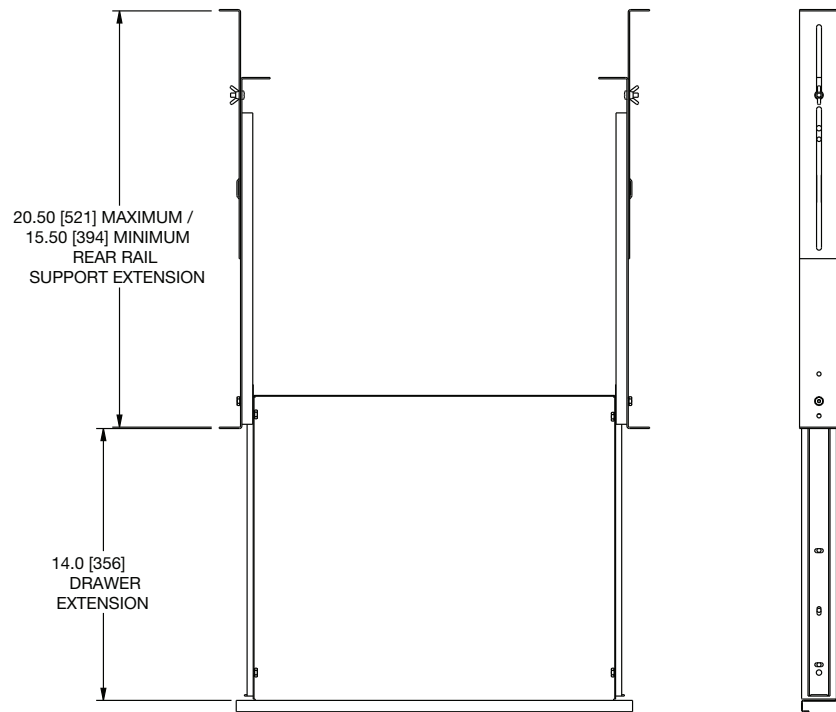


Middle Atlantic Products
middleatlantic.com | middleatlantic.ca

96-01105 / rev b / 9-6-17

UD Series Utility Drawers

BASIC DIMENSIONS



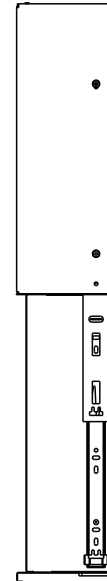
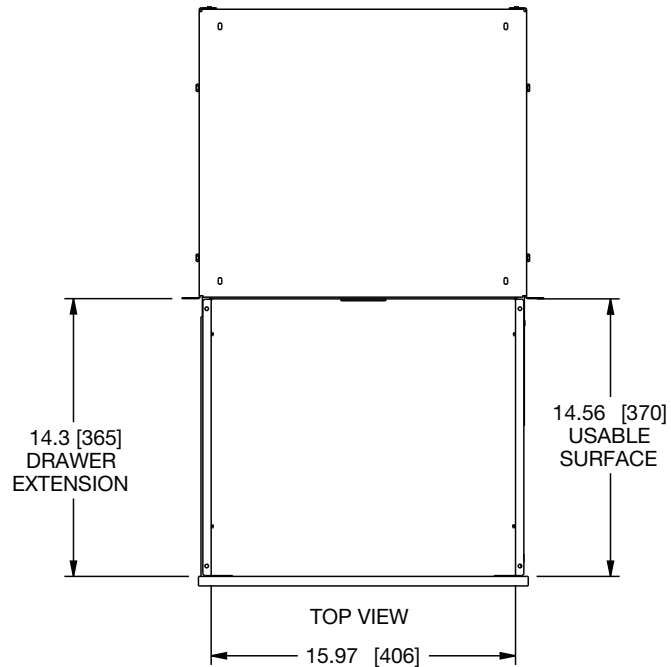
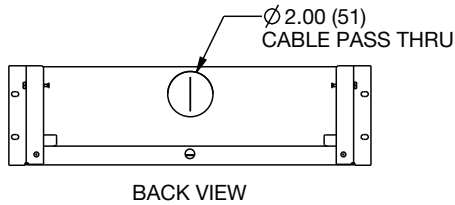
WHAT GREAT SYSTEMS ARE BUILT ON.™

A brand of **legrand**

MA
Middle Atlantic Products
middleatlantic.com | middleatlantic.ca

UD Series Utility Drawers

BASIC DIMENSIONS



	"A" HEIGHT	"B" MOUNTING HOLE SPACING
UD2	3.50 [89]	3.00 [76]
UD3	5.25 [133]	2.25 [57]
UD4	7.00 [178]	4.00 [102]

WHAT GREAT SYSTEMS ARE BUILT ON.™

A brand of **legrand**

MA
Middle Atlantic Products
middleatlantic.com | middleatlantic.ca